

# TCPware<sup>®</sup> for OpenVMS User's Guide

Part Number: N-5904-59-NN-A

**October 2009**

This manual describes how to use the network services provided by the TCPware for OpenVMS product.

**Revision/Update:** This is a revised manual.

**Operating System/Version:** VAX/VMS V5.5-2 or later, OpenVMS VAX V6.0 or later, OpenVMS Alpha V6.1 or later, or OpenVMS I64 V8.2 or later

**Software Version:** 5.9

**Process Software  
Framingham, Massachusetts  
USA**

The material in this document is for informational purposes only and is subject to change without notice. It should not be construed as a commitment by Process Software. Process Software assumes no responsibility for any errors that may appear in this document.

Use, duplication, or disclosure by the U.S. Government is subject to restrictions as set forth in subparagraph (c)(1)(ii) of the Rights in Technical Data and Computer Software clause at DFARS 252.227-7013.

The following third-party software may be included with your product and will be subject to the software license agreement.

Network Time Protocol (NTP). Copyright © 1992 by David L. Mills. The University of Delaware makes no representations about the suitability of this software for any purpose.

Point-to-Point Protocol. Copyright © 1989 by Carnegie-Mellon University. All rights reserved. The name of the University may not be used to endorse or promote products derived from this software without specific prior written permission. Redistribution and use in source and binary forms are permitted provided that the above copyright notice and this paragraph are duplicated in all such forms and that any documentation, advertising materials, and other materials related to such distribution and use acknowledge that the software was developed by Carnegie Mellon University. The name of the University may not be used to endorse or promote products derived from this software without specific prior written permission. THIS SOFTWARE IS PROVIDED "AS IS" AND WITHOUT ANY EXPRESS OR IMPLIED WARRANTIES, INCLUDING, WITHOUT LIMITATION, THE IMPLIED WARRANTIES OF MERCHANTABILITY AND FITNESS FOR A PARTICULAR PURPOSE.

RES\_RANDOM.C. Copyright © 1997 by Niels Provos <provos@physnet.uni-hamburg.de> All rights reserved. Redistribution and use in source and binary forms, with or without modification, are permitted provided that the following conditions are met:

1. Redistributions of source code must retain the above copyright notice, this list of conditions and the following disclaimer.
2. Redistributions in binary form must reproduce the above copyright notice, this list of conditions and the following disclaimer in the documentation and/or other materials provided with the distribution.
3. All advertising materials mentioning features or use of this software must display the following acknowledgement: This product includes software developed by Niels Provos.
4. The name of the author may not be used to endorse or promote products derived from this software without specific prior written permission.

Copyright © 1990 by John Robert LoVerso. All rights reserved. Redistribution and use in source and binary forms are permitted provided that the above copyright notice and this paragraph are duplicated in all such forms and that any documentation, advertising materials, and other materials related to such distribution and use acknowledge that the software was developed by John Robert LoVerso.

Kerberos. Copyright © 1989, DES.C and PCBC\_ENCRYPT.C Copyright © 1985, 1986, 1987, 1988 by Massachusetts Institute of Technology. Export of this software from the United States of America is assumed to require a specific license from the United States Government. It is the responsibility of any person or organization contemplating export to obtain such a license before exporting. WITHIN THAT CONSTRAINT, permission to use, copy, modify, and distribute this software and its documentation for any purpose and without fee is hereby granted, provided that the above copyright notice appear in all copies and that both that copyright notice and this permission notice appear in supporting documentation, and that the name of M.I.T. not be used in advertising or publicity pertaining to distribution of the software without specific, written prior permission. M.I.T. makes no representations about the suitability of this software for any purpose. It is provided "as is" without express or implied warranty.

DNSSIGNER (from BIND distribution) Portions Copyright (c) 1995-1998 by Trusted Information Systems, Inc. Portions Copyright (c) 1998-1999 Network Associates, Inc. Permission to use, copy, modify, and distribute this software for any purpose with or without fee is hereby granted, provided that the above copyright notice and this permission notice appear in all copies. THE

SOFTWARE IS PROVIDED "AS IS" AND TRUSTED INFORMATION SYSTEMS DISCLAIMS ALL WARRANTIES WITH REGARD TO THIS SOFTWARE INCLUDING ALL IMPLIED WARRANTIES OF MERCHANTABILITY AND FITNESS. IN NO EVENT SHALL TRUSTED INFORMATION SYSTEMS BE LIABLE FOR ANY SPECIAL, DIRECT, INDIRECT, OR CONSEQUENTIAL DAMAGES OR ANY DAMAGES WHATSOEVER RESULTING FROM LOSS OF USE, DATA OR PROFITS, WHETHER IN AN ACTION OF CONTRACT, NEGLIGENCE OR OTHER TORTIOUS ACTION, ARISING OUT OF OR IN CONNECTION WITH THE USE OR PERFORMANCE OF THIS SOFTWARE.

ERRWARN.C. Copyright © 1995 by RadioMail Corporation. All rights reserved. Redistribution and use in source and binary forms, with or without modification, are permitted provided that the following conditions are met:

1. Redistributions of source code must retain the above copyright notice, this list of conditions and the following disclaimer.
2. Redistributions in binary form must reproduce the above copyright notice, this list of conditions and the following disclaimer in the documentation and/or other materials provided with the distribution.
3. Neither the name of RadioMail Corporation, the Internet Software Consortium nor the names of its contributors may be used to endorse or promote products derived from this software without specific prior written permission. THIS SOFTWARE IS PROVIDED BY RADIOMAIL CORPORATION, THE INTERNET SOFTWARE CONSORTIUM AND CONTRIBUTORS ``AS IS'' AND ANY EXPRESS OR IMPLIED WARRANTIES, INCLUDING, BUT NOT LIMITED TO, THE IMPLIED WARRANTIES OF MERCHANTABILITY AND FITNESS FOR A PARTICULAR PURPOSE ARE DISCLAIMED. IN NO EVENT SHALL RADIOMAIL CORPORATION OR CONTRIBUTORS BE LIABLE FOR ANY DIRECT, INDIRECT, INCIDENTAL, SPECIAL, EXEMPLARY, OR CONSEQUENTIAL DAMAGES (INCLUDING, BUT NOT LIMITED TO, PROCUREMENT OF SUBSTITUTE GOODS OR SERVICES; LOSS OF USE, DATA, OR PROFITS; OR BUSINESS INTERRUPTION) HOWEVER CAUSED AND ON ANY THEORY OF LIABILITY, WHETHER IN CONTRACT, STRICT LIABILITY, OR TORT (INCLUDING NEGLIGENCE OR OTHERWISE) ARISING IN ANY WAY OUT OF THE USE OF THIS SOFTWARE, EVEN IF ADVISED OF THE POSSIBILITY OF SUCH DAMAGE. This software was written for RadioMail Corporation by Ted Lemon under a contract with Vixie Enterprises. Further modifications have been made for the Internet Software Consortium under a contract with Vixie Laboratories.

IMAP4R1.C, MISC.C, RFC822.C, SMTP.C Original version Copyright © 1988 by The Leland Stanford Junior University

NS\_PARSER.C Copyright © 1984, 1989, 1990 by Bob Corbett and Richard Stallman  
This program is free software. You can redistribute it and/or modify it under the terms of the GNU General Public License as published by the Free Software Foundation, either version 1, or (at your option) any later version. This program is distributed in the hope that it will be useful, but WITHOUT ANY WARRANTY; without even the implied warranty of MERCHANTABILITY or FITNESS FOR A PARTICULAR PURPOSE. See the GNU General Public License for more details. You should have received a copy of the GNU General Public License along with this program; if not, write to the Free Software Foundation, Inc., 675 Mass Ave, Cambridge, MA 02139 USA

IF\_ACP.C Copyright © 1985 and IF\_DDA.C Copyright © 1986 by Advanced Computer Communications

IF\_PPP.C Copyright © 1993 by Drew D. Perkins

ASCII\_ADDR.C Copyright © 1994 Bell Communications Research, Inc. (Bellcore)

DEBUG.C Copyright © 1998 by Lou Bergandi. All Rights Reserved.

NTP\_FILEGEN.C Copyright © 1992 by Rainer Pruy Friedrich-Alexander Universitaet Erlangen-Nuernberg

RANNY.C Copyright © 1988 by Rayan S. Zachariassen. All Rights Reserved.

MD5.C Copyright © 1990 by RSA Data Security, Inc. All Rights Reserved.

Portions Copyright © 1981, 1982, 1983, 1984, 1985, 1986, 1987, 1988, 1989 by SRI International

Portions Copyright © 1984, 1989 by Free Software Foundation

Portions Copyright © 1993, 1994, 1995, 1996, 1997, 1998 by the University of Washington. Permission to use, copy, modify, and distribute this software and its documentation for any purpose and without fee is hereby granted, provided that the above copyright notices appear in all copies and that both the above copyright notices and this permission notice appear in supporting documentation, and that the name of the University of Washington or The Leland Stanford Junior University not be used in advertising or publicity pertaining to distribution of the software without specific, written prior permission. This software is made available "as is", and THE UNIVERSITY OF WASHINGTON AND THE LELAND STANFORD JUNIOR UNIVERSITY DISCLAIM ALL WARRANTIES, EXPRESS OR IMPLIED, WITH REGARD TO THIS SOFTWARE, INCLUDING WITHOUT LIMITATION ALL IMPLIED WARRANTIES OF MERCHANTABILITY AND FITNESS FOR A PARTICULAR PURPOSE, AND IN NO EVENT SHALL THE UNIVERSITY OF WASHINGTON OR THE LELAND STANFORD JUNIOR UNIVERSITY BE LIABLE FOR ANY SPECIAL, INDIRECT OR CONSEQUENTIAL DAMAGES OR ANY DAMAGES WHATSOEVER RESULTING FROM LOSS OF USE, DATA OR PROFITS, WHETHER IN AN ACTION OF CONTRACT, TORT (INCLUDING NEGLIGENCE) OR STRICT LIABILITY, ARISING OUT OF OR IN CONNECTION WITH THE USE OR PERFORMANCE OF THIS SOFTWARE.

Portions Copyright © 1980, 1982, 1985, 1986, 1988, 1989, 1990, 1993 by The Regents of the University of California. All rights reserved.

Redistribution and use in source and binary forms, with or without modification, are permitted provided that the following conditions are met:

1. Redistributions of source code must retain the above copyright notice, this list of conditions and the following disclaimer.
2. Redistributions in binary form must reproduce the above copyright notice, this list of conditions and the following disclaimer in the documentation and/or other materials provided with the distribution.
3. All advertising materials mentioning features or use of this software must display the following acknowledgement:

This product includes software developed by the University of California, Berkeley and its contributors.

4. Neither the name of the University nor the names of its contributors may be used to endorse or promote products derived from this software without specific prior written permission.

THIS SOFTWARE IS PROVIDED BY THE REGENTS AND CONTRIBUTORS "AS IS" AND ANY EXPRESS OR IMPLIED WARRANTIES, INCLUDING, BUT NOT LIMITED TO, THE IMPLIED WARRANTIES OF MERCHANTABILITY AND FITNESS FOR A PARTICULAR PURPOSE ARE DISCLAIMED. IN NO EVENT SHALL THE REGENTS OR CONTRIBUTORS BE LIABLE FOR ANY DIRECT, INDIRECT, INCIDENTAL, SPECIAL, EXEMPLARY, OR CONSEQUENTIAL DAMAGES (INCLUDING, BUT NOT LIMITED TO, PROCUREMENT OF SUBSTITUTE GOODS OR SERVICES; LOSS OF USE, DATA, OR PROFITS; OR BUSINESS INTERRUPTION) HOWEVER CAUSED AND ON ANY THEORY OF LIABILITY, WHETHER IN CONTRACT, STRICT LIABILITY, OR TORT (INCLUDING NEGLIGENCE OR OTHERWISE) ARISING IN ANY WAY OUT OF THE USE OF THIS SOFTWARE, EVEN IF ADVISED OF THE POSSIBILITY OF SUCH DAMAGE.

Portions Copyright © 1993 by Hewlett-Packard Corporation.

Permission to use, copy, modify, and distribute this software for any purpose with or without fee is hereby granted, provided that the above copyright notice and this permission notice appear in all copies, and that the name of Hewlett-Packard Corporation not be used in advertising or publicity pertaining to distribution of the document or software without specific, written prior permission. THE SOFTWARE IS PROVIDED "AS IS" AND HEWLETT-PACKARD CORP. DISCLAIMS ALL WARRANTIES WITH REGARD TO THIS SOFTWARE, INCLUDING ALL IMPLIED WARRANTIES OF MERCHANTABILITY AND FITNESS. IN NO EVENT SHALL HEWLETT-PACKARD CORPORATION BE LIABLE FOR ANY SPECIAL, DIRECT, INDIRECT, OR CONSEQUENTIAL DAMAGES OR ANY DAMAGES WHATSOEVER RESULTING FROM LOSS OF USE, DATA OR PROFITS, WHETHER IN AN ACTION OF CONTRACT, NEGLIGENCE OR OTHER TORTIOUS ACTION, ARISING OUT OF OR IN CONNECTION WITH THE USE OR

## PERFORMANCE OF THIS SOFTWARE.

Portions Copyright © 1995 by International Business Machines, Inc.

International Business Machines, Inc. (hereinafter called IBM) grants permission under its copyrights to use, copy, modify, and distribute this Software with or without fee, provided that the above copyright notice and all paragraphs of this notice appear in all copies, and that the name of IBM not be used in connection with the marketing of any product incorporating the Software or modifications thereof, without specific, written prior permission. To the extent it has a right to do so, IBM grants an immunity from suit under its patents, if any, for the use, sale or manufacture of products to the extent that such products are used for performing Domain Name System dynamic updates in TCP/IP networks by means of the Software. No immunity is granted for any product per se or for any other function of any product. THE SOFTWARE IS PROVIDED "AS IS", AND IBM DISCLAIMS ALL WARRANTIES, INCLUDING ALL IMPLIED WARRANTIES OF MERCHANTABILITY AND FITNESS FOR A PARTICULAR PURPOSE. IN NO EVENT SHALL IBM BE LIABLE FOR ANY SPECIAL, DIRECT, INDIRECT, OR CONSEQUENTIAL DAMAGES OR ANY DAMAGES WHATSOEVER ARISING OUT OF OR IN CONNECTION WITH THE USE OR PERFORMANCE OF THIS SOFTWARE, EVEN IF IBM IS APPRISED OF THE POSSIBILITY OF SUCH DAMAGES.

Portions Copyright © 1995, 1996, 1997, 1998, 1999, 2000 by Internet Software Consortium. All Rights Reserved. Permission to use, copy, modify, and distribute this software for any purpose with or without fee is hereby granted, provided that the above copyright notice and this permission notice appear in all copies. THE SOFTWARE IS PROVIDED "AS IS" AND INTERNET SOFTWARE CONSORTIUM DISCLAIMS ALL WARRANTIES WITH REGARD TO THIS SOFTWARE INCLUDING ALL IMPLIED WARRANTIES OF MERCHANTABILITY AND FITNESS. IN NO EVENT SHALL INTERNET SOFTWARE CONSORTIUM BE LIABLE FOR ANY SPECIAL, DIRECT, INDIRECT, OR CONSEQUENTIAL DAMAGES OR ANY DAMAGES WHATSOEVER RESULTING FROM LOSS OF USE, DATA OR PROFITS, WHETHER IN AN ACTION OF CONTRACT, NEGLIGENCE OR OTHER TORTIOUS ACTION, ARISING OUT OF OR IN CONNECTION WITH THE USE OR PERFORMANCE OF THIS SOFTWARE.

Copyright (c) 1996-2000 Internet Software Consortium.

Use is subject to license terms which appear in the file named ISC-LICENSE that should have accompanied this file when you received it. If a file named ISC-LICENSE did not accompany this file, or you are not sure the one you have is correct, you may obtain an applicable copy of the license at: <http://www.isc.org>.

This file is part of the ISC DHCP distribution. The documentation associated with this file is listed in the file DOCUMENTATION, included in the top-level directory of this release. Support and other services are available for ISC products - see <http://www.isc.org> for more information.

ISC LICENSE, Version 1.0

1. This license covers any file containing a statement following its copyright message indicating that it is covered by this license. It also covers any text or binary file, executable, electronic or printed image that is derived from a file that is covered by this license, or is a modified version of a file covered by this license, whether such works exist now or in the future. Hereafter, such works will be referred to as "works covered by this license," or "covered works."
2. Each source file covered by this license contains a sequence of text starting with the copyright message and ending with "Support and other services are available for ISC products - see <http://www.isc.org> for more information." This will hereafter be referred to as the file's Bootstrap License.
3. If you take significant portions of any source file covered by this license and include those portions in some other file, then you must also copy the Bootstrap License into that other file, and that file becomes a covered file. You may make a good-faith judgement as to where in this file the bootstrap license should appear.
4. The acronym "ISC", when used in this license or generally in the context of works covered by this license, is an abbreviation for the words "Internet Software Consortium."
5. A distribution, as referred to hereafter, is any file, collection of printed text, CD ROM, boxed set, or other collection, physical or electronic, which can be distributed as a single object and which contains one or more works covered by this license.
6. You may make distributions containing covered files and provide copies of such distributions to whomever you choose, with or without charge, as long as you obey the other terms of this license. Except as stated in (9), you may include as many or as few covered files as you choose in such distributions.
7. When making copies of covered works to distribute to others, you must not remove or alter the Bootstrap License. You may not place your own copyright message, license, or similar statements in the file prior to the

original copyright message or anywhere within the Bootstrap License. Object files and executable files are exempt from the restrictions specified in this clause.

8. If the version of a covered source file as you received it, when compiled, would normally produce executable code that would print a copyright message followed by a message referring to an ISC web page or other ISC documentation, you may not modify the file in such a way that, when compiled, it no longer produces executable code to print such a message.

9. Any source file covered by this license will specify within the Bootstrap License the name of the ISC distribution from which it came, as well as a list of associated documentation files. The associated documentation for a binary file is the same as the associated documentation for the source file or files from which it was derived. Associated documentation files contain human-readable documentation which the ISC intends to accompany any distribution.

If you produce a distribution, then for every covered file in that distribution, you must include all of the associated documentation files for that file. You need only include one copy of each such documentation file in such distributions.

Absence of required documentation files from a distribution you receive or absence of the list of documentation files from a source file covered by this license does not excuse you from this requirement. If the distribution you receive does not contain these files, you must obtain them from the ISC and include them in any redistribution of any work covered by this license. For information on how to obtain required documentation not included with your distribution, see: <http://www.isc.org>.

If the list of documentation files was removed from your copy of a covered work, you must obtain such a list from the ISC. The web page at <http://www.isc.org> contains pointers to lists of files for each ISC distribution covered by this license.

It is permissible in a source or binary distribution containing covered works to include reformatted versions of the documentation files. It is also permissible to add to or modify the documentation files, as long as the formatting is similar in legibility, readability, font, and font size to other documentation in the derived product, as long as any sections labeled CONTRIBUTIONS in these files are unchanged except with respect to formatting, as long as the order in which the CONTRIBUTIONS section appears in these files is not changed, and as long as the manual page which describes how to contribute to the Internet Software Consortium (hereafter referred to as the Contributions Manual Page) is unchanged except with respect to formatting.

Documentation that has been translated into another natural language may be included in place of or in addition to the required documentation, so long as the CONTRIBUTIONS section and the Contributions Manual Page are either left in their original language or translated into the new language with such care and diligence as is required to preserve the original meaning.

10. You must include this license with any distribution that you make, in such a way that it is clearly associated with such covered works as are present in that distribution. In any electronic distribution, the license must be in a file called "ISC-LICENSE".

If you make a distribution that contains works from more than one ISC distribution, you may either include a copy of the ISC-LICENSE file that accompanied each such ISC distribution in such a way that works covered by each license are all clearly grouped with that license, or you may include the single copy of the ISC-LICENSE that has the highest version number of all the ISC-LICENSE files included with such distributions, in which case all covered works will be covered by that single license file. The version number of a license appears at the top of the file containing the text of that license, or if in printed form, at the top of the first page of that license.

11. If the list of associated documentation is in a separated file, you must include that file with any distribution you make, in such a way that the relationship between that file and the files that refer to it is clear. It is not permissible to merge such files in the event that you make a distribution including files from more than one ISC distribution, unless all the Bootstrap Licenses refer to files for their lists of associated documentation, and those references all list the same filename.

12. If a distribution that includes covered works includes a mechanism for automatically installing covered works, following that installation process must not cause the person following that process to violate this license, knowingly or unknowingly. In the event that the producer of a distribution containing covered files accidentally or wilfully violates this clause, persons other than the producer of such a distribution shall not be held liable for such violations, but are not otherwise excused from any requirement of this license.

13. COVERED WORKS ARE PROVIDED "AS IS". ISC DISCLAIMS ALL WARRANTIES WITH REGARD TO COVERED WORKS INCLUDING THE IMPLIED WARRANTIES OF MERCHANTABILITY AND FITNESS FOR A PARTICULAR PURPOSE.

14. IN NO EVENT SHALL ISC BE LIABLE FOR ANY SPECIAL, INDIRECT, OR CONSEQUENTIAL DAMAGES OR ANY DAMAGES WHATSOEVER RESULTING FROM LOSS OF USE, DATA OR PROFITS, WHETHER IN AN ACTION OF CONTRACT, NEGLIGENCE OR OTHER TORTIOUS ACTION, ARISING OUT OF OR IN CONNECTION WITH THE USE OF COVERED WORKS.

Use of covered works under different terms is prohibited unless you have first obtained a license from ISC granting use pursuant to different terms. Such terms may be negotiated by contacting ISC as follows:

Internet Software Consortium  
950 Charter Street  
Redwood City, CA 94063  
Tel: 1-888-868-1001 (toll free in U.S.)  
Tel: 1-650-779-7091  
Fax: 1-650-779-7055  
Email: [info@isc.org](mailto:info@isc.org)  
Email: [licensing@isc.org](mailto:licensing@isc.org)

#### DNSSAFE LICENSE TERMS

This BIND software includes the DNSsafe software from RSA Data Security, Inc., which is copyrighted software that can only be distributed under the terms of this license agreement.

The DNSsafe software cannot be used or distributed separately from the BIND software. You only have the right to use it or distribute it as a bundled, integrated product.

The DNSsafe software can ONLY be used to provide authentication for resource records in the Domain Name System, as specified in RFC 2065 and successors. You cannot modify the BIND software to use the DNSsafe software for other purposes, or to make its cryptographic functions available to end-users for other uses.

If you modify the DNSsafe software itself, you cannot modify its documented API, and you must grant RSA Data Security the right to use, modify, and distribute your modifications, including the right to use any patents or other intellectual property that your modifications depend upon.

You must not remove, alter, or destroy any of RSA's copyright notices or license information. When distributing the software to the Federal Government, it must be licensed to them as "commercial computer software" protected under 48 CFR 12.212 of the FAR, or 48 CFR 227.7202.1 of the DFARS.

You must not violate United States export control laws by distributing the DNSsafe software or information about it, when such distribution is prohibited by law.

THE DNSSAFE SOFTWARE IS PROVIDED "AS IS" WITHOUT ANY WARRANTY WHATSOEVER. RSA HAS NO OBLIGATION TO SUPPORT, CORRECT, UPDATE OR MAINTAIN THE RSA SOFTWARE. RSA DISCLAIMS ALL WARRANTIES, EXPRESS, IMPLIED OR STATUTORY, AS TO ANY MATTER WHATSOEVER, INCLUDING ALL IMPLIED WARRANTIES OF MERCHANTABILITY, FITNESS FOR A PARTICULAR PURPOSE AND NON-INFRINGEMENT OF THIRD PARTY RIGHTS.

If you desire to use DNSsafe in ways that these terms do not permit, please contact:

RSA Data Security, Inc.  
100 Marine Parkway  
Redwood City, California 94065, USA  
to discuss alternate licensing arrangements.

Secure Shell (SSH). Copyright © 2000. This License agreement, including the Exhibits ("Agreement"), effective as of the latter date of execution ("Effective Date"), is hereby made by and between Data Fellows, Inc., a California corporation, having principal offices at 675 N. First Street, 8th floor, San Jose, CA 95112170 ("Data Fellows") and Process Software, Inc., a Massachusetts corporation, having a place of business at 959 Concord Street, Framingham, MA 01701 ("OEM").

Portions copyright 1988 - 1994 Epilogue Technology Corporation.

Copyright (c) 1998-2007 The OpenSSL Project. All rights reserved.

Redistribution and use in source and binary forms, with or without modification, are permitted provided that the following conditions are met:

1. Redistributions of source code must retain the above copyright notice, this list of conditions and the following disclaimer.
2. Redistributions in binary form must reproduce the above copyright notice, this list of conditions and the following disclaimer in the documentation and/or other materials provided with the distribution.
3. All advertising materials mentioning features or use of this software must display the following acknowledgment:  
"This product includes software developed by the OpenSSL Project for use in the OpenSSL Toolkit. (<http://www.openssl.org/>)"
4. The names "OpenSSL Toolkit" and "OpenSSL Project" must not be used to endorse or promote products derived from this software without prior written permission. For written permission, please contact [openssl-core@openssl.org](mailto:openssl-core@openssl.org).
5. Products derived from this software may not be called "OpenSSL" nor may "OpenSSL" appear in their names without prior written permission of the OpenSSL Project.
6. Redistributions of any form whatsoever must retain the following acknowledgment:  
"This product includes software developed by the OpenSSL Project for use in the OpenSSL Toolkit (<http://www.openssl.org/>)"

THIS SOFTWARE IS PROVIDED BY THE OpenSSL PROJECT "AS IS" AND ANY EXPRESSED OR IMPLIED WARRANTIES, INCLUDING, BUT NOT LIMITED TO, THE IMPLIED WARRANTIES OF MERCHANTABILITY AND FITNESS FOR A PARTICULAR PURPOSE ARE DISCLAIMED. IN NO EVENT SHALL THE OpenSSL PROJECT OR ITS CONTRIBUTORS BE LIABLE FOR ANY DIRECT, INDIRECT, INCIDENTAL, SPECIAL, EXEMPLARY, OR CONSEQUENTIAL DAMAGES (INCLUDING, BUT NOT LIMITED TO, PROCUREMENT OF SUBSTITUTE GOODS OR SERVICES; LOSS OF USE, DATA, OR PROFITS; OR BUSINESS INTERRUPTION) HOWEVER CAUSED AND ON ANY THEORY OF LIABILITY, WHETHER IN CONTRACT, STRICT LIABILITY, OR TORT (INCLUDING NEGLIGENCE OR OTHERWISE)



ARISING IN ANY WAY OUT OF THE USE OF THIS SOFTWARE, EVEN IF ADVISED OF THE POSSIBILITY OF SUCH DAMAGE.

---

---

This product includes cryptographic software written by Eric Young (eay@cryptsoft.com). This product includes software written by Tim Hudson (tjh@cryptsoft.com).

Copyright (C) 1995-1998 Eric Young (eay@cryptsoft.com)  
All rights reserved.

This package is an SSL implementation written by Eric Young (eay@cryptsoft.com).  
The implementation was written so as to conform with Netscapes SSL.

This library is free for commercial and non-commercial use as long as the following conditions are adhered to. The following conditions apply to all code found in this distribution, be it the RC4, RSA, lhash, DES, etc., code; not just the SSL code. The SSL documentation included with this distribution is covered by the same copyright terms except that the holder is Tim Hudson (tjh@cryptsoft.com).

Copyright remains Eric Young's, and as such any Copyright notices in the code are not to be removed.

If this package is used in a product, Eric Young should be given attribution as the author of the parts of the library used.

This can be in the form of a textual message at program startup or in documentation (online or textual) provided with the package.

Redistribution and use in source and binary forms, with or without modification, are permitted provided that the following conditions are met:

1. Redistributions of source code must retain the copyright notice, this list of conditions and the following disclaimer.
2. Redistributions in binary form must reproduce the above copyright notice, this list of conditions and the following disclaimer in the documentation and/or other materials provided with the distribution.
3. All advertising materials mentioning features or use of this software must display the following acknowledgement:  
"This product includes cryptographic software written by Eric Young (eay@cryptsoft.com)"  
The word 'cryptographic' can be left out if the routines from the library being used are not cryptographic related :-).
4. If you include any Windows specific code (or a derivative thereof) from the apps directory (application code) you must include an acknowledgement:  
"This product includes software written by Tim Hudson (tjh@cryptsoft.com)"

THIS SOFTWARE IS PROVIDED BY ERIC YOUNG ``AS IS'' AND ANY EXPRESS OR IMPLIED WARRANTIES, INCLUDING, BUT NOT LIMITED TO, THE IMPLIED WARRANTIES OF MERCHANTABILITY AND FITNESS FOR A PARTICULAR PURPOSE ARE DISCLAIMED. IN NO EVENT SHALL THE AUTHOR OR CONTRIBUTORS BE LIABLE FOR ANY DIRECT, INDIRECT, INCIDENTAL, SPECIAL, EXEMPLARY, OR CONSEQUENTIAL DAMAGES (INCLUDING, BUT NOT LIMITED TO, PROCUREMENT OF SUBSTITUTE GOODS OR SERVICES; LOSS OF USE, DATA, OR PROFITS; OR BUSINESS INTERRUPTION)

HOWEVER CAUSED AND ON ANY THEORY OF LIABILITY, WHETHER IN CONTRACT, STRICT LIABILITY, OR TORT (INCLUDING NEGLIGENCE OR OTHERWISE) ARISING IN ANY WAY OUT OF THE USE OF THIS SOFTWARE, EVEN IF ADVISED OF THE POSSIBILITY OF SUCH DAMAGE.

The licence and distribution terms for any publically available version or derivative of this code cannot be changed. i.e. this code cannot simply be copied and put under another distribution licence [including the GNU Public Licence.]

All other trademarks, service marks, registered trademarks, or registered service marks mentioned in this document are the property of their respective holders.

TCPware is a registered trademark and Process Software and the Process Software logo are trademarks of Process Software.

Copyright ©1997, 1998, 1999, 2000, 2002, 2004 Process Software Corporation. All rights reserved. Printed in USA.

Copyright ©2000, 2001, 2002, 2005, 2007 Process Software. All rights reserved. Printed in USA.

If the examples of URLs, domain names, internet addresses, and web sites we use in this documentation reflect any that actually exist, it is not intentional and should not to be considered an endorsement, approval, or recommendation of the actual site, or any products or services located at any such site by Process Software. Any resemblance or duplication is strictly coincidental.

---

# Contents

## Preface

Introducing This Guide.....	xix
What You Need to Know Beforehand .....	xix
How This Guide Is Organized .....	xix
Online Help.....	xx
Obtaining Customer Support .....	xx
Licensing Information .....	xxi
Maintenance Services .....	xxi
Reader's Comments Page.....	xxi
Documentation Set.....	xxii
Conventions Used.....	xxiii

## Chapter 1      Introducing TCPware for OpenVMS

Introduction.....	1-1
Enterprise-Wide Networking .....	1-1
TCPware for OpenVMS .....	1-3
TCP/IP Services.....	1-5
TCPware Products for the PDP-11 Operating Systems.....	1-8

## Chapter 2      Functional Overview

Introduction.....	2-1
Remote Filesystem Access .....	2-1
Transferring Files.....	2-3
Printing Files.....	2-4
Logging In to Remote Hosts.....	2-5

Transferring Mail and Exchanging Messages .....	2-7
Accessing Network Drives .....	2-8
Configuring Hosts .....	2-9
Controlling Network Functions .....	2-10
Synchronizing Time Clocks .....	2-11
Using Network Testing Tools .....	2-11
Securing Resources .....	2-13
Tunneling External Applications over IP .....	2-15
Programming Network Interfaces .....	2-16

### **Chapter 3    FTP: Transferring Files**

Introduction .....	3-1
Before Using FTP .....	3-1
FTP Session .....	3-1
Features .....	3-2
Opening a Connection .....	3-4
Graphical User Interface .....	3-6
Closing and Exiting .....	3-8
Checking Directories .....	3-9
Checking File Transfer Formats .....	3-10
Using GET, PUT, and COPY .....	3-13
Anonymous Users .....	3-15
Startup Command File .....	3-16
Site-Specific Commands .....	3-18
Sample Session .....	3-19
Command Reference .....	3-20
Troubleshooting .....	3-26
Graphical User Interface Equivalent .....	3-30
Graphical User Interface Equivalent .....	3-35
Graphical User Interface Equivalent .....	3-40
Graphical User Interface Equivalent .....	3-43
Graphical User Interface Equivalent .....	3-48
Graphical User Interface Equivalent .....	3-49
Graphical User Interface Equivalent .....	3-54
Graphical User Interface Equivalent .....	3-55
Graphical User Interface Equivalent .....	3-67
Graphical User Interface Equivalent .....	3-78

---

**Chapter 4 Kerberos User Commands**

Introduction.....	4-1
Ticket File Location Logical.....	4-1
Kerberos User Commands.....	4-1
Command Reference .....	4-2

**Chapter 5 Network Printing**

Introduction.....	5-1
Network Print Services.....	5-2
PRINT Qualifiers.....	5-4
PRINT Command Options .....	5-17
Submitting Jobs to IPP Symbiont Print Queues .....	5-21
Printing a Single Text File to an IPP Queue .....	5-21
Specifying the Destination Printer on the Print Command .....	5-21
Using Other Print Qualifiers .....	5-22
TCPWARE IPP SHOW Command .....	5-22

**Chapter 6 RCD and RMT: Remote CD-ROMs and Tapes**

Introduction.....	6-1
RMT Client and RCD Client .....	6-1
Troubleshooting.....	6-1

**Chapter 7 RCP: Copying Files**

Introduction.....	7-1
-------------------	-----

**Chapter 8 RLOGIN: Logging In to a Remote Host**

Introduction.....	8-1
-------------------	-----

**Chapter 9 RSH: Issuing Commands on a Remote Host**

Introduction.....	9-1
-------------------	-----

**Chapter 10 Sending and Receiving Electronic Mail**

Using OpenVMS Mail Across the Network.....	10-1
--	------

Specifying Addresses .....	10-1
Specifying a Host Alias .....	10-3
Specifying Individual Aliases .....	10-3
Using Mail Under ALL-IN-1 .....	10-4
Delivering Mail to Specific Folders .....	10-4
User-Defined Headers .....	10-4

## **Chapter 11 TALK: Exchanging Terminal Messages**

Introduction .....	11-1
Using TALK .....	11-1
Command Reference .....	11-3
Troubleshooting .....	11-5

## **Chapter 12 TELNET: Connecting to Remote Terminals**

Introduction .....	12-1
Before Using TELNET .....	12-1
Opening a TELNET Session .....	12-2
Opening a TN3270 Session .....	12-3
Closing a Session .....	12-5
Issuing Local Commands .....	12-6
Running Applications over TELNET .....	12-7
Creating a Permanent NTA Device .....	12-9
Handling a Broken Connection .....	12-10
Closing the Connection After a Deassign .....	12-10
Startup Command File .....	12-10
TN3270 Keyboard Mapping .....	12-12
Alternative key mappings .....	12-13
TN3270 Internationalization .....	12-14
TN3270 Keypad Graphics Characters .....	12-17
TN3270 Screen Printing and Dumping .....	12-17
Sample Session .....	12-19
Command Reference .....	12-20

## **Chapter 13 TFTP: Trivial File Transfers**

Introduction .....	13-1
Invoking TFTP .....	13-1

---

Command Reference .....	13-1
-------------------------	------

## **Chapter 14 Token Authentication: Protecting Logins**

Introduction.....	14-1
What Is the ACE/Client? .....	14-1
Terms .....	14-2
Identifying the SecurID Token Type.....	14-2
Login Interfaces .....	14-3
Logging In with a SecurID Token .....	14-4
User Responsibilities .....	14-4
Before You Begin.....	14-5
Receiving a System-Generated PIN .....	14-6
Creating Your Own PIN.....	14-6
Login Steps .....	14-8
"Next Code" Prompt .....	14-8
Using a Duress PIN.....	14-8

## **Chapter 15 WHOIS: Username Directory Services**

## **Chapter 16 Accessing Remote Systems with the Secure Shell (SSH) Utilities**

SSH Protocol Support.....	16-1
Secure Shell Client (remote login program).....	16-3
Initial Server System Authentication .....	16-3
Hostbased Authentication .....	16-3
Publickey Authentication .....	16-4
Password Authentication .....	16-5
Break-in and Intrusion Detection.....	16-5
Session Termination.....	16-6
X11 Forwarding .....	16-6
Configuring the SSH Client.....	16-6
Notes Regarding SSH2_CONFIG .....	16-12
Authorization File Options .....	16-13
Options that can be specified: .....	16-14
SSH Client/Server Authentication Configuration Examples.....	16-15
Hostbased Authentication Example.....	16-15
Publickey Authentication Example .....	16-16
SSH1 Example .....	16-17
SSH2 User Authentication Using Certificates: .....	16-19

SSH2 Hostkey Authentication Using Certificates .....	16-20
Port Forwarding.....	16-21
Other Files .....	16-23
SSHKEYGEN .....	16-27
SSHAGENT (authentication agent).....	16-31
DESCRIPTION .....	16-31
FILES .....	16-32
SSHADD .....	16-32
DESCRIPTION .....	16-32
OPTIONS .....	16-32
FILES .....	16-33
CERTTOOL .....	16-33
Description .....	16-33
Valid Options .....	16-34
Example:.....	16-36
CERTVIEW.....	16-36
Description .....	16-36
Valid Options .....	16-36
Example:.....	16-37
CMPCIENT .....	16-37
Description .....	16-37
Command Parameters .....	16-37
Valid Options .....	16-37
Examples: .....	16-39
Public-key Subsystem .....	16-39
Publickey Assistant Commands .....	16-39
Publickey Assistant Qualifiers .....	16-40
Other Implementations .....	16-40

## Chapter 17 Secure File Transfer

SCP-SERVER1.....	17-2
SCP2.....	17-2
Usage .....	17-2
Qualifiers .....	17-3
File Specifications .....	17-4
Logicals .....	17-7
SFTP2.....	17-11
File Specifications .....	17-11
SFTP2 Command Syntax and Qualifiers .....	17-11
Usage .....	17-11



Qualifiers .....	17-11
Configuration File Parameters .....	17-20
FTP over SSH .....	17-20

### References

Introduction.....	A-1
TCPware for OpenVMS Documentation.....	A-1
Requests for Comments (RFCs) .....	A-1
Internet, TCP/IP Protocol Suite, and Related Subjects.....	A-5
Hewlett-Packard Documentation.....	A-7

### TCPware Logicals

### Glossary

Introduction.....	G-1
-------------------	-----



---

# Preface

## Introducing This Guide

This guide describes the TCPware products, components, and features, and the user environment and functions. It is an introduction for all users, as well as a procedural guide for end users.

## What You Need to Know Beforehand

Before using TCPware, you should be familiar with:

- Computer networks in general
- HP's OpenVMS operating system and file system

## How This Guide Is Organized

This guide has the following contents:

- Part I, *Introduction*—Introduces and provides a functional overview of the TCPware for OpenVMS products, components, and features.
- Part II, *User Functions*—Provides user instructions for the following TCPware components and features, arranged in chapters alphabetically:
  - FTP-OpenVMS
  - Kerberos authentication user commands
  - Network print functions (Line Printer Services and Terminal Server Print Services)
  - Remote Compact Disk (RCD) and Remote Magnetic Tape (RMT)
  - Remote Copy Program (RCP)
  - RLOGIN
  - Remote Shell (RSH)
  - Simple Mail Transfer Protocol (SMTP)

- TALK
  - TELNET-OpenVMS
  - Trivial File Transfer Protocol (TFTP)
  - Token Authentication User Functions
  - WHOIS
  - Secure Shell (SSH)
- Appendixes, including a list of references and a glossary of terms.
  - Master index to the TCPware documentation set.

## Online Help

You can use help at the DCL prompt to find the following:

- Topical help—Access TCPware help topics only as follows:

```
$ HELP TCPWARE [topic]
```

The topic entry is optional. You can also enter topics and subtopics at the following prompt and its subprompts:

```
TCPWARE Subtopic?
```

Online help is also available from within certain TCPware components: FTP-OpenVMS Client and Server, Network Control Utility (NETCU), TELNET-OpenVMS Client, NSLOOKUP, and TRACEROUTE. Use the HELP command from within each component.

Example: NETCU> **HELP** [*topic*]

- Error messages help—Access help for TCPware error messages only as follows:

```
$ HELP TCPWARE MESSAGES
```

If the error message is included in the MESSAGES help, it identifies the TCPware component and provides a meaning and user action. See the `Instructions` under `MESSAGES`.

## Obtaining Customer Support

You can use the following customer support services for information and help about TCPware and other Process Software products if you subscribe to our Product Support Services. (If you bought TCPware products through an authorized TCPware reseller, contact your reseller for technical support.) Contact Technical Support directly using the following methods:

- Electronic Mail

E-mail relays your question to us quickly and allows us to respond, as soon as we have information for you. Send e-mail to [support@process.com](mailto:support@process.com). Be sure to include your:

- Name
- Telephone number

- Company name
- Process Software product name and version number
- Operating system name and version number

Describe the problem in as much detail as possible. You should receive an immediate automated response telling you that your call was logged.

- Telephone

If calling within the continental United States or Canada, call Process Software Technical Support toll-free at 1-800-394-8700. If calling from outside the continental United States or Canada, dial 1-508-628-5074. Please be ready to provide your name, company name, and telephone number.

- World Wide Web

There is a variety of useful technical information available on our World Wide Web home page, <http://www.process.com> (select Customer Support).

- Internet Newsgroup

You can also access the VMSnet newsgroup, [vmsnet.networks.tcp-ip.tcpware](mailto:vmsnet.networks.tcp-ip.tcpware).

## Licensing Information

TCPware for OpenVMS includes a software license that entitles you to install and use it on one machine. Please read and understand the Software License Agreement before installing the product. If you want to use TCPware on more than one machine, you need to purchase additional licenses. Contact Process Software or your distributor for details.

## Maintenance Services

Process Software offers a variety of software maintenance and support services. Contact us or your distributor for details about these services.

## Reader's Comments Page

TCPware guides may include Reader's Comments as their last page. If you find an error in this guide or have any other comments about it, please let us know. Return a completed copy of the Reader's Comments page, or send e-mail to [techpubs@process.com](mailto:techpubs@process.com).

Please make your comments specific, including page references whenever possible. We would appreciate your comments about our documentation.

## Documentation Set

The documentation set for TCPware for OpenVMS consists of the following:

- **Release Notes** for the current version of TCPware for OpenVMS—For all users, system managers, and application programmers. The Release Notes are available online on your TCPware for OpenVMS media and are accessible before or after software installation.
- **Installation & Configuration Guide**—For system managers and those installing the software. The guide provides installation and configuration instructions for the TCPware for OpenVMS products.
- **User's Guide**—For all users. This guide includes an introduction to TCPware for OpenVMS products as well as a reference for the user functions arranged alphabetically by product, utility, or service.
- **Management Guide**—For system managers. This guide contains information on functions not normally available to the general network end user. It also includes implementation notes and troubleshooting information.
- **Network Control Utility (NETCU) Command Reference**—For users and system managers. This reference covers all the commands available with the Network Control Utility (NETCU) and contains troubleshooting information.
- **Programmer's Guide**—For network application programmers. This guide gives application programmers information on the callable interfaces between TCPware for OpenVMS and application programs.
- Online help—
  - Topical help, using **HELP TCPWARE [topic]**
  - Error messages help, using **HELP TCPWARE MESSAGES**

## Conventions Used

Convention	Meaning
host	Any computer system on the network. The local host is your computer. A remote host is any other computer.
monospaced type	System output or user input. User input is in <b>bold type</b> . Example: <code>Is this configuration correct? YES</code> Monospaced type also indicates user input where the case of the entry should be preserved.
<i>italic type</i>	Variable value in commands and examples. For example, <i>username</i> indicates that you must substitute your actual username. Italic text also identifies documentation references.
[ <i>directory</i> ]	Directory name in an OpenVMS file specification. Include the brackets in the specification.
<b>[optional-text]</b>	(Italicized text and square brackets) Enclosed information is optional. Do not include the brackets when entering the information. Example: <code>START/IP line address [info]</code> This command indicates that the <i>info</i> parameter is optional.
{ <i>value</i>   <i>value</i> }	Denotes that you should use only one of the given values. Do not include the braces or vertical bars when entering the value.
<b>Note!</b>	Information that follows is particularly noteworthy.
<b>CAUTION!</b>	Information that follows is critical in preventing a system interruption or security breach.
<b>key</b>	Press the specified key on your keyboard.
<b>Ctrl/key</b>	Press the control key and the other specified key simultaneously.
<b>Return</b>	Press the Return or Enter key on your keyboard.





# **PART I Introduction**

---

Chapter 1 Introducing TCPware for OpenVMS  
Chapter 2 Functional Overview



## Introducing TCPware for OpenVMS

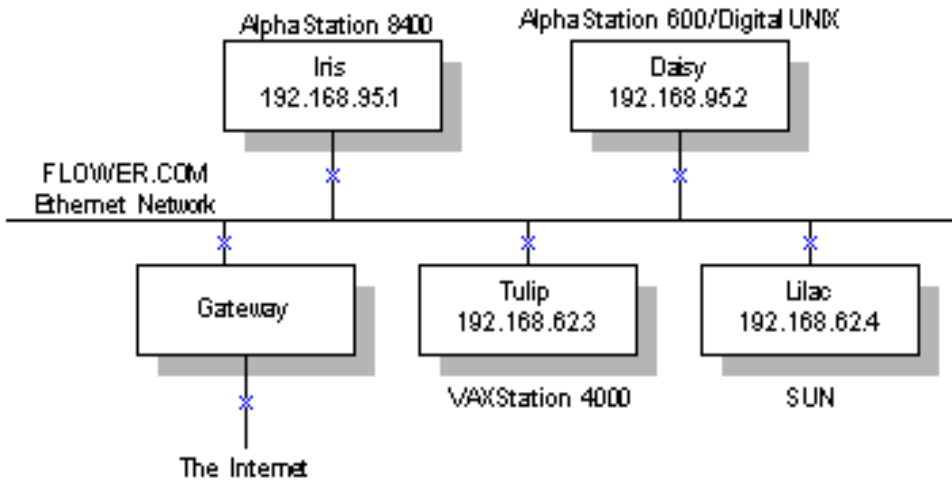
### Introduction

TCPware for OpenVMS is a software product that provides TCP/IP standard networking services for HP's OpenVMS VAX, Alpha and I64 computers.

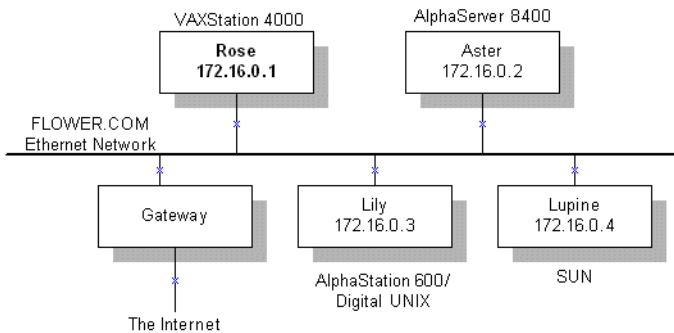
### Enterprise-Wide Networking

Computer systems from many different vendors can communicate with systems using the TCP/IP protocols. Almost all UNIX-based systems support TCP/IP, FTP, NFS, SMTP, and TELNET. This makes TCPware for OpenVMS components ideal tools for networking OpenVMS systems with other computer systems.

Figure 1-1 shows some systems networked using TCP/IP.

**Figure 1-1 Connecting Dissimilar Systems Using TCPware for OpenVMS**

TCPware for OpenVMS components operate with many other computers. TCPware for OpenVMS components also operate with many network support devices that are compatible with TCP/IP, Ethernet, and other local area networks (LANs), as shown in Figure 1-2.

**Figure 1-2 Devices Supporting TCP/IP Networking**

## TCPware for OpenVMS

TCPware for OpenVMS includes the TCP/IP Services components designed exclusively for the VAX, Alpha and I64 architectures and the OpenVMS operating system for those architectures.

Table 1-1 lists the members of the TCPware for OpenVMS family and the features of each.

**Table 1-1 TCPware for OpenVMS Family Members**

<b>Component</b>	<b>Features</b>
FTP-OpenVMS	File transfer service that lets you transfer files to or from remote hosts. Provides a File Transfer Protocol (FTP) client and server. Includes the Remote Copy Program (RCP) (which includes optional Kerberos authentication). Also includes a Subroutine Library to develop FTP application programs. Token Authentication is also available for FTP-OpenVMS.
NFS-OpenVMS Client	Network File System (NFS) service that lets you access NFS filesystems and store data on NFS systems. Provides an NFS client.
NFS-OpenVMS Server	NFS service that lets remote NFS users access OpenVMS filesystems and use them for storage. Provides an NFS server and supports a PC-NFS Server (PCNFSD).
SMTP-OpenVMS	Mail transfer service that lets you send mail to or receive mail from remote hosts. Provides a Simple Mail Transfer Protocol (SMTP) client and server. The additional Internet Message Access Protocol (IMAP) and Post Office Protocol Version 3 (POP3) servers provide a way for remote PCs to retrieve OpenVMS incoming mail.
SSH-OpenVMS	Secure Shell provides encrypted remote access to this system and other systems with SSH software. Commands may be executed remotely or remote interactive sessions may be used. Files may be transferred with the SCP command, which uses SSH for access to the remote system.
TELNET-OpenVMS	Virtual terminal service that lets you have immediate access to remote systems. Provides a Virtual Terminal Networking (TELNET) protocol client and server. Kerberos authentication is also available. Also includes a Subroutine Library to develop TELNET application programs. Token Authentication is also available for TELNET-OpenVMS.

**Table 1-1 TCPware for OpenVMS Family Members (Continued)**

Component	Features
TCP-OpenVMS	<p>TCP/IP base component that includes protocols for the network layer (IP, ICMP, ARP, and RARP) and transport layer (TCP and UDP). Provides utilities for network management and control:</p> <p>For <i>Domain Name Services (DNS)</i>, <i>Simple Network Management Protocol (SNMP) Services</i>, <i>Network Control Utility (NETCU)</i>, and <i>Network Time Synchronization</i>, see the <i>Network Management</i> entry in Table 1-2.</p> <ul style="list-style-type: none"> <li>• <i>Berkeley R Commands</i> — Access hosts in a TCP/IP network by logging in (RLOGIN), executing remote commands (RSH), and controlling remote tape drives (RMT) and CD-ROM drives (RCD). Kerberos V4 authentication is also available for RLOGIN and RSH. Token Authentication is also available for RLOGIN.</li> <li>• <i>Line Printer Services</i> — Manipulate local or remote print queue functions based on the client and server ends of the BSD4.3 Line Printer Protocol.</li> <li>• <i>Terminal Server Print Services</i> — Send print requests to printers attached to TCP/IP-based terminal servers.</li> <li>• <i>Subroutine Libraries</i> — Facilitate application development using the Socket Library Services, FTP Subroutine Library, TELNET Subroutine Library, and SNMP Extendible Agent Application Program Interface (API) routines.</li> <li>• <i>TCPDRIVER, UDPDRIVER, IPDRIVER, and INETDRIVER Programming Services, and UCX Compatibility Services (BGDRIVER)</i> — Use QIO interfaces to develop network applications. UCX Compatibility allows applications such as PATHWORKS to work with TCPware.</li> </ul> <p><i>ONC RPC Services</i>—Build distributed applications using Remote Procedure Calls (RPCs).</p>

## TCP/IP Services

All TCPware for OpenVMS TCP/IP Services are fully integrated. The services range from the upper-layer Network Application Services to the lower-level components. These lower-level components handle the network controllers included in the TCP/IP Services core component, TCP-OpenVMS.

The TCPware for OpenVMS components use the Transmission Control Protocol (TCP), User Datagram Protocol (UDP), and Internet Protocol (IP). The Department of Defense (DoD) adopted the IP and TCP protocols as standards for all packet networks. TCP and IP provide a reliable and efficient means for moving information between computer systems.

TCPware supports Path MTU discovery to provide a performance improvement when large packets of data are sent over TCP.

Table 1-2 describes some of the TCP/IP functions supported by TCPware.

**Table 1-2 TCP/IP Services**

<b>This Service...</b>	<b>Provides...</b>
Cluster Load Balancing	Have the domain name server assign a connection to a specific host to balance the cluster load. Analogous to the load balancing services the LAT terminal service provides.
Database Support	Connect Ingres, Oracle, RDB, Progress, and Sybase databases on OpenVMS and UNIX systems.
DECnet over IP	Send DECnet data link layer packets point-to-point over TCP/IP connection between two systems running TCPware.
DECwindows	Supports DECwindows graphics-oriented applications like Mail, File View, DECterm, and Bookreader. A remote X display user can also log in using the X Display Manager Server.

Table 1-2 TCP/IP Services (Continued)

This Service...	Provides...
Interface Support	<p>Interface support, which includes:</p> <ul style="list-style-type: none"> <li>• <b>Ethernet, Token Ring, and LAT interfaces</b> — Send IP datagrams over Ethernet, Token Ring, LAN Emulation over Asynchronous Transfer Mode (ATM), and Classical IP over ATM (CLIP) networks. Supports the Address Resolution Protocol (ARP) and Reverse ARP (RARP).</li> <li>• <b>Fiber Distributed Data Interface (FDDI)</b> — Send IP datagrams over high speed networks over FDDI controllers. Supports ARP and RARP.</li> <li>• <b>HYPERchannel</b> — Directly supports the UNIBUS, QBUS, MASSBUS, and BIBUS interfaces. Includes use of ARP to map host internet addresses to physical addresses.</li> <li>• <b>IP-over-DECnet</b> — Send IP datagrams over DECnet links to connect separate DECnet-over-IP TCP/IP LANs over WANs.</li> <li>• <b>IP-over-X.25</b> — Send IP datagrams as data packets over X.25, enabling reliable world wide communication.</li> <li>• <b>Point-to-Point Protocol (PPP)</b> — Send multiprotocol datagrams over serial point-to-point links. PPP is common with line speeds from 14.4 to 28.8 kilobits per second (Kbps). Implemented through <code>pppd</code> command line options.</li> <li>• <b>proNET</b> — Supports the proNET-10 and proNET-80 token ring controllers provided by Proteon, Inc.</li> <li>• <b>Serial Line IP (SLIP)</b> — Send IP datagrams over serial lines instead of Ethernet cable. Supports both dedicated (hard-wired) and dialup SLIP lines. TCPware also supports <b>Compressed SLIP (CSLIP)</b>.</li> <li>• <b>HP Wide Area Network (WAN) Device Drivers</b> — Supports the VAX WAN Device Drivers synchronous interfaces that form a link between the hardware devices and TCPware.</li> </ul>
Multicasting	<p>Supports full IP multicasting, letting you send and receive datagrams addressed to IP multicast (Class D) addresses. Implements the Internet Group Management Protocol (IGMP).</p>



Table 1-2 TCP/IP Services (Continued)

This Service...	Provides...
Network Management	<p>Network management and control functions include:</p> <ul style="list-style-type: none"> <li>• <b>Domain Name Services (DNS)</b> — Guarantee host connections using a distributed database. Supports Berkeley Internet Domain Server (BIND) Release 4.9.4 Name Server.</li> <li>• <b>Dynamic Host Configuration Protocol (DHCP)</b> — Provides IP addresses and configuration data to hosts. Supports DHCP and BOOTP protocols.</li> <li>• <b>Simple Network Management Protocol (SNMP) Services</b> — Network management stations can obtain timely information about the network activities of OpenVMS server hosts. Supports MIB-I and MIB-II. TCPware's SNMP Agent also supports subagents serving private MIBs, as well as the SNMP Multiplexing (SMUX) Service.</li> <li>• <b>Network Control Process (NETCP)</b> — Starts, maintains, and shuts down the network. NETCP also contains the Port Mapper that maps Remote Procedure Call (RPC) server programs to ports. A TCPDUMP utility is also included.</li> <li>• <b>Network Control Utility (NETCU)</b> — Provides commands so that the system manager can monitor and control various functions such as adding and removing servers clients.</li> <li>• <b>Network Time Synchronization</b> — Use either the Network Time Protocol (NTP) or the Time Synchronization Protocol (TIMED), to coordinate time distribution between hosts.</li> </ul>
Network Security	Includes Incoming and Outgoing Access Restrictions; Packet Filtering; the Kerberos V4 Server, user commands, management commands, and administration server; the IP Security Option (IPSO); and Token Authentication for login security.
Other Clients and Servers	Client protocols (DISCARD, FINGER, NSLOOKUP, PING, TALK, Trivial File Transfer Protocol [TFTP], TRACEROUTE, and WHOIS) and Server protocols (CHARGEND, DAYTIMED, DISCARDED, ECHOD, FINGERD, INDENT, QUOTED, and TFTP).
PATHWORKS Support	Use TCPware as a transport for HP's PATHWORKS products running between the OpenVMS system and a PC.

**Table 1-2 TCP/IP Services (Continued)**

This Service...	Provides...
Routing	Supports enhanced routing and multiple gateways, and includes the GateD protocol, which combines RIP, HELLO, OSPF, EGP, BGP, and the Router Discovery Protocol for distributing routing information. Supports the Classless Inter-Domain Routing (CIDR) protocol for more efficient use of Class B IP addresses.

## TCPware Products for the PDP-11 Operating Systems

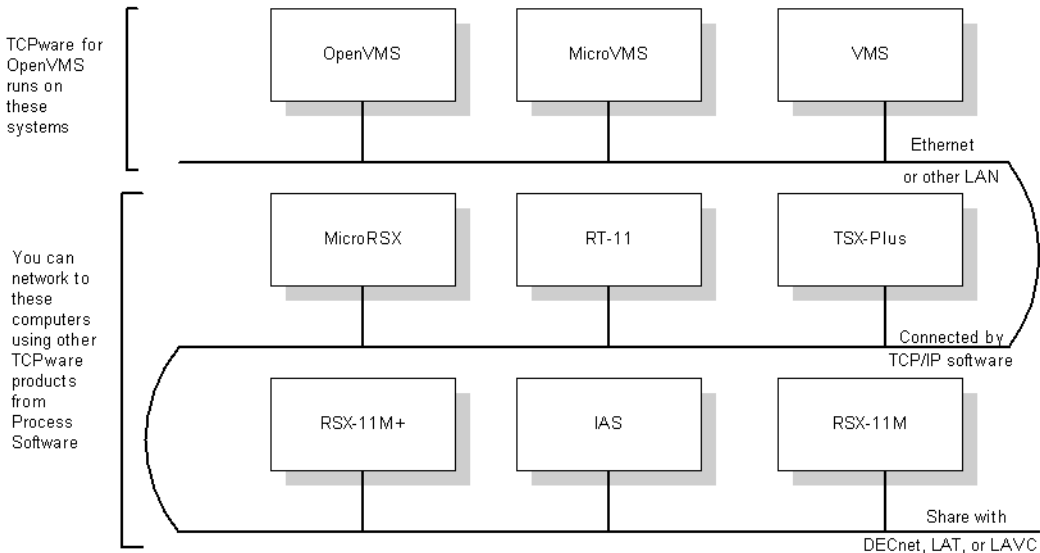
Process Software offers TCP/IP networking software products for the HP PDP-11 operating systems. Order the following TCPware products for the PDP-11 systems from Process Software:

TCPware for RSX	TCPware for RT-11	TCPware for TSX	TCPware for IAS
-----------------	-------------------	-----------------	-----------------

Although these products function differently from TCPware for OpenVMS, they solve many networking problems between dissimilar computer systems.

Figure 1-3 shows some of the many dissimilar systems TCPware can connect.

**Figure 1-3 HP Operating Systems Connected by TCPware**



# Functional Overview

## Introduction

This chapter presents a functional overview of the TCPware for OpenVMS components. It addresses questions you may have, such as what you use to:

- Access to network filesystems as if they were local filesystems
- Transfer (copy) files over the network
- Print network files
- Log in to and perform commands on a remote system
- Send or receive mail or message over the network
- Access to network magnetic tape or CD-ROM drives
- Dynamically configure network hosts and find network information
- Control network activity
- Synchronize clocks across the network
- Secure resources on the network
- Tunnel external protocol applications over IP
- Program network interfaces

For more details on each subject, we provide you with references to the appropriate section of this documentation set at the end of this chapter.

## Remote Filesystem Access

You can access remote filesystems as if they were your own, using NFS-OpenVMS (see Table 2-

1).

**Table 2-1 TCPware Components for Access to Network Filesystem**

<b>This component...</b>	<b>Allows you to...</b>	<b>To use it, you need...</b>	<b>As a user...</b>	<b>As a system manager...</b>
NFS-OpenVMS Client	On a TCP/IP network, transparently access filesystems on remote servers so that they appear as resident filesystems in OpenVMS.	To access remote filesystems, run the NFS-OpenVMS Client. You must have authorization to access them.	simply use the filesystems as if they were on your local system. No special commands are required.	see the <i>Management Guide</i> , Chapter 13, <i>Managing NFS-OpenVMS Client</i> .
NFS-OpenVMS Server	Provide a service so that remote system users can access your local OpenVMS filesystems as if they were their own.	For remote systems users to access OpenVMS files on your system, run the NFS-OpenVMS Server. The remote user must have authorization to access your local filesystems.		see the <i>Management Guide</i> , Chapter 14, <i>Managing NFS-OpenVMS Server</i> .

## Transferring Files

You can transfer files to or from your OpenVMS system using FTP-OpenVMS (which includes the RCP feature) or the TFTP feature of TCP-OpenVMS. Transfer files using the TCPware for OpenVMS components in Table 2-2.

**Table 2-2 TCPware Components for Transferring Network Files**

This component...	Allows you to...	To use it, you need...
FTP-OpenVMS	<p>Copy, get, and put files to and from remote systems using the File Transfer Protocol (FTP). TCPware provides both the client function so that local users can transfer files to and from remote systems, and the server function so that remote users can transfer files from your local system.</p> <p>Login authentication security is available through Token Authentication.</p>	<p>The remote system must support FTP.</p> <p><b>As a user</b>, see the <i>User's Guide</i>, Chapter 3, <i>FTP: Transferring Files</i>.</p> <p><b>As a system manager</b>, see the <i>Management Guide</i>, Chapter 12, <i>Managing FTP-OpenVMS</i>.</p> <p><b>As a system programmer</b>, see the <i>Programmer's Guide</i>, Chapter 7, <i>FTP Library</i>.</p>
RCP	<p>Use a UNIX-like command to copy files to and from remote systems right on the system command line.</p> <p>TCPware also provides the RCP server so that remote users can copy files to or from your system.</p>	<p>The server must support equivalents of the UNIX <code>shell</code> and <code>exec</code> services. You must register the other hosts in your <code>HOSTS.EQUIV</code> or <code>.RHOSTS</code> files.</p> <p><b>As a user</b>, see the <i>User's Guide</i>, Chapter 7, <i>RCP: Copying Files</i>.</p> <p><b>As a system manager</b>, see the <i>Management Guide</i>, Chapter 16, <i>Managing R Commands</i>.</p>
TFTP	<p>Transfer files to and from remote systems. Because TFTP is more primitive than FTP, you can mainly use TFTP to allow remote diskless systems to read bootstrap images over the network.</p>	<p>The remote system must support TFTP.</p> <p><b>As a user</b>, see the <i>User's Guide</i>, Chapter 13, <i>TFTP: Trivial File Transfers</i>.</p> <p><b>As a system manager</b>, see the <i>Management Guide</i>, Chapter 16, <i>Managing R Commands</i>.</p>

## Printing Files

You can print files over the network using the Line Printer Services or Terminal Server Print Services. Print files over the network using the TCPware for OpenVMS components in Table 2-3.

**Table 2-3 TCPware Components for Network Printing**

<b>This component...</b>	<b>Allows you to...</b>	<b>To use it, you need...</b>	<b>As a user...</b>	<b>As a system manager...</b>
Line Printer Services	Send files to, remove jobs from, and display the status of remote print queues using UNIX-like commands. Line Printer Services also provides a server so that remote users can access local print queues.	to define the remote printers during installation.	see the <i>User's Guide</i> , Chapter 5, <i>Networking Printing</i> .	see the <i>Management Guide</i> , Chapter 15, <i>Managing Print Services</i> .
Terminal Server Print Services	If you are on a TCP/IP network, send files to printers connected to remote terminal servers.	Use the regular PRINT/QUEUE commands.	see the <i>User's Guide</i> , Chapter 5, <i>Network Printing</i> .	see the <i>Management Guide</i> , Chapter 15, <i>Managing Print Services</i> , the <i>Terminal Server Print Services</i> section.

## Logging In to Remote Hosts

You can log in to and execute commands on remote hosts using the RLOGIN or RSH features of TCP-OpenVMS or TELNET-OpenVMS. Log in to or emulate remote hosts using the components in Table 2-4.

**Table 2-4 TCPware Components for Logging in to Remote Hosts**

<b>This component...</b>	<b>Allows you to...</b>	<b>As a system programmer...</b>	<b>As a user...</b>	<b>As a system manager...</b>
RLOGIN	Use a UNIX-like command to log in to a remote host.		see the <i>User's Guide</i> , Chapter 8, <i>RLOGIN: Logging In to a Remote Host</i> .	see the <i>Management Guide</i> , Chapter 16, <i>Managing R Commands</i> .
RSH	Use a UNIX-like command to execute a single command on a remote host without logging in.		see the <i>User's Guide</i> , Chapter 9, <i>RSH: Issuing Commands on the Remote Host</i> .	see the <i>Management Guide</i> , Chapter 16, <i>Managing R Commands</i> .

**Table 2-4 TCPware Components for Logging in to Remote Hosts (Continued)**

<b>This component...</b>	<b>Allows you to...</b>	<b>As a system programmer...</b>	<b>As a user...</b>	<b>As a system manager...</b>
TELNET-OpenVMS	<p>Initiate virtual terminal connections to remote hosts using the TELNET protocol. You can open multiple remote sessions. TCPware also provides a server function so that remote users can make virtual terminal connections to the OpenVMS host.</p> <p>Login authentication security is available through Token Authentication.</p>	<p>see the <i>Programmer's Guide</i>, Chapter 9, <i>TELNET Library</i>.</p>	<p>see the <i>User's Guide</i>, Chapter 12, <i>TELNET: Connecting to Remote Terminals</i>.</p>	<p>see the <i>Management Guide</i>, Chapter 18, <i>Managing TELNET-OpenVMS Server</i>.</p>



## Transferring Mail and Exchanging Messages

You can send and receive mail over the network using the TCPware for OpenVMS components in Table 2-5.

**Table 2-5 TCPware Components for Sending Network Mail**

<b>This component...</b>	<b>Allows you to...</b>	<b>To use it, ...</b>	<b>As a user...</b>	<b>As a system manager...</b>
SMTP-OpenVMS	On a TCP/IP network, send and receive mail over the network using the Simple Mail Transfer Protocol (SMTP). TCPware provides both an SMTP client and a server.	The remote system must support SMTP.	see the <i>User's Guide</i> , Chapter 10, <i>SMTP: Transferring Mail</i> .	see the <i>Management Guide</i> , Chapter 17, <i>Managing Mail Services</i> .
IMAP Server	Provide a service so that remote PCs can access mail in VMS MAIL mailboxes using the Internet Message Access Protocol (IMAP) Server.	The remote system must support the IMAP protocol.		see the <i>Management Guide</i> , Chapter 17, <i>Managing Mail Services</i> , the <i>IMAP Server</i> section.
POP3 Server	Provide a service so that remote PCs can retrieve mail in VMS MAIL inboxes using the Post Office Protocol (POP3) Server.	The remote system must support the POP3 protocol.		see the <i>Management Guide</i> , Chapter 17, <i>Managing Mail Services</i> , the <i>POP3 Server</i> section.

**Table 2-5 TCPware Components for Sending Network Mail (Continued)**

<b>This component...</b>	<b>Allows you to...</b>	<b>To use it, ...</b>	<b>As a user...</b>	<b>As a system manager...</b>
TALK Utility	Exchange "real time" messages with another host on the local or remote network. Display simultaneously sent and received messages on a split screen.	The remote system must support the talk protocol.	see the <i>User's Guide</i> , Chapter 11, <i>TALK: Exchanging Terminal Messages</i> .	

## Accessing Network Drives

You can access remote tape or CD-ROM drives, or provide access locally to remote users by using the TCPware for OpenVMS components in Table 2-6.

**Table 2-6 TCPware Features for Providing Access to Network Tape Drives**

<b>This component...</b>	<b>Allows you to...</b>	<b>To use it, you need to configure...</b>	<b>As a user...</b>	<b>As a system manager...</b>
RMT Client	Use OpenVMS commands such as BACKUP, MOUNT, COPY, and EXCHANGE on remote backup tape drives.	a pseudodevice on your OpenVMS system using the command RMTSETUP. The remote system must support the rmt protocol.	see the <i>User's Guide</i> , Chapter 6, <i>RCD and RMT: Remote CD-ROMs and Tapes</i> .	

**Table 2-6 TCPware Features for Providing Access to Network Tape Drives (Continued)**

<b>This component...</b>	<b>Allows you to...</b>	<b>To use it, you need to configure...</b>	<b>As a user...</b>	<b>As a system manager...</b>
RCD Client	Use OpenVMS commands such as BACKUP, MOUNT, COPY, and EXCHANGE on remote CD-ROM drives.	a pseudodevice on your OpenVMS system using the command RMTSETUP. The remote system must support the rmt protocol.	see the <i>User's Guide</i> , Chapter 6, <i>RCD and RMT: Remote CD-ROMs and Tapes</i> .	
RMT Service	Provide a service so that remote clients can use the rdump or rrestore UNIX utilities to access a magnetic tape on your system.	the Berkeley R Commands for RMT services. The remote system must support the rmt protocol.		see the <i>Management Guide</i> , Chapter 16, <i>Managing R Commands</i> .

## Configuring Hosts

TCPware provides various components and features with which you can configure network hosts, as listed in Table 2-7.

**Table 2-7 TCPware Features for Configuring Hosts**

<b>This component...</b>	<b>Allows you to...</b>	<b>As system manager...</b>
DHCP/BOOTP	Assign IP addresses and provide configuration data to hosts over the network.	see the <i>Management Guide</i> , Chapter 2, <i>DHCP/BOOTP Server</i> .
Domain Name Services	Obtain information such as host Internet addresses and names by connecting to a distributed database.	see the <i>Management Guide</i> , Chapter 3, <i>Domain Name Services</i> .

**Table 2-7 TCPware Features for Configuring Hosts (Continued)**

<b>This component...</b>	<b>Allows you to...</b>	<b>As system manager...</b>
Point-to-Point Protocol (PPP)	Configure the network to send IP datagrams over serial links, including DECnet or modern connections.	enter:  \$ <code>PPPD:==TCPWARE:PPPD.EXE</code> See the <i>Management Guide</i> , Chapter 5, <i>Serial Link Interfaces: PPP and SLIP</i> .
Serial Line IP (SLIP) Protocol	Further configure the network to send IP datagrams over serial links.	

## Controlling Network Functions

You can perform network management functions and test networks by using the TCPware for OpenVMS features in Table 2-8.

**Table 2-8 TCPware Features for Additional Management**

<b>This component...</b>	<b>Allows you to...</b>	<b>As a system manager...</b>
Network Control Utility (NETCU)	NETCU is the utility program system managers and user use to configure and control network activity.	see the <i>NETCU Command Reference</i> .
Simple Network Management Protocol (SNMP) Services	Obtain timely information about network activities of OpenVMS server hosts, such as routing, line status, volume of traffic, and error conditions. SNMP supports the MIB-I and MIB-II Management Information bases, as well as SNMP Multiplexing (SMUX) and SNMP Agent eXtensibility (AGENTX).	see the <i>Management Guide</i> , Chapter 7, <i>Managing SNMP Services</i> .  see the <i>Programmer's Guide</i> , Chapter 10, <i>SNMP Extendible Agent API Routines</i> .

## Synchronizing Time Clocks

TCPware provides the network time synchronization components listed in Table 2-9.

**Table 2-9 TCPware Features for Time Synchronization**

<b>This component...</b>	<b>On a TCP/IP network, allows you to...</b>	<b>As a system manager, see the <i>Management Guide</i>,</b>
Network Time Protocol	synchronize your system clock with an Internet Time Server.	Chapter 10, <i>Network Time Protocol (NTP)</i> .
TIMED	use the Time Synchronization Protocol (TSP) and the <code>timed</code> service to synchronize the clocks of LAN hosts.	Chapter 11, <i>TIMED</i> .

## Using Network Testing Tools

TCPware provides various network testing tools, and utilities and services with which you can obtain network information, as listed in Table 2-10.

**Table 2-10 TCPware Network Testing Tools**

<b>This component...</b>	<b>Allows you to...</b>	<b>As a user...</b>	<b>As a system manager...</b>
FINGER	Extract user information from a remote user information program.		enter:  \$ <code>FINGER user@host-to-finger</code> See the <i>Management Guide</i> , Chapter 30, <i>Network Testing Tools</i> .
IDENT	Determine the user associated with a connection.		See the <i>Management Guide</i> , Chapter 30, <i>Network Testing Tools</i> .
NSLOOKUP	Extract information about network hosts from the Domain Name Systems.		enter:  \$ <code>nslookup host-to-find</code> See the <i>Management Guide</i> , Chapter 30, <i>Network Testing Tools</i> .

**Table 2-10 TCPware Network Testing Tools (Continued)**

This component...	Allows you to...	As a user...	As a system manager...
PING	Find out if a host is up and if you can reach it.		enter:  \$ PING:==\$TCPWARE:PING See the <i>Management Guide</i> , Chapter 30, <i>Network Testing Tools</i> .
TCPDUMP Utility	Track TCP packets by printing information in packet headers.		See the <i>Management Guide</i> , Chapter 30, <i>Network Testing Tools</i> .
TRACEROUTE	Trace the path of an IP packet to an internet host.		See the <i>Management Guide</i> , Chapter 30, <i>Network Testing Tools</i> .
WHOIS	Query the Network Information Center (NIC) username directory services to obtain usernames.	enter the command:  \$ WHOIS <i>username</i> See the <i>User's Guide</i> , Chapter 15, <i>WHOIS: Username Directory Services</i> .	

TCPware also provides other useful testing utilities and services, including CHARGEND, DAYTIMED, DISCARD, ECHOD, NETCU DEBUG, QUOTED, and TIME. See the *Management Guide*, Chapter 31, *Network Testing Tools*, for details.

## Securing Resources

You can secure resources on the network using the TCPware features described in Table 2-11.

**Table 2-11 TCPware Features for Securing Network Resources**

<b>This component...</b>	<b>Allows you to...</b>	<b>As a system manager, see the <i>Management Guide</i>,</b>	<b>As a user, see the <i>User's Guide</i>,</b>
Incoming Access Restrictions	Restrict the hosts and networks that can access the services the master server activates.	Chapter 20, <i>Access Restrictions</i> .	
Outgoing Access Restrictions	Restrict requests for remote services to specific users and ports.	Chapter 20, <i>Access Restrictions</i> .	
Packet Filtering	Restrict the datagrams a network interface can receive by protocol, source and destination address, or destination port. Use convenient NETCU commands.	Chapter 21, <i>Packet Filtering</i> .	
Kerberos Server	Provide password encryption and the Key Distribution Center (KDC) for getting tickets to server applications. Also use management and user commands.	Chapter 23, <i>Managing Kerberos</i> .	Chapter 4, <i>Kerberos User Commands</i> .
Kerberos Authentication for RCP	Use Kerberos V4 authentication with the RLOGIN Berkeley R Command.	Chapter 23, <i>Managing Kerberos</i> .	Chapter 7, <i>RCP: Copying Files</i> .

**Table 2-11 TCPware Features for Securing Network Resources (Continued)**

<b>This component...</b>	<b>Allows you to...</b>	<b>As a system manager, see the <i>Management Guide</i>,</b>	<b>As a user, see the <i>User's Guide</i>,</b>
Kerberos Authentication for RLOGIN	Use Kerberos V4 authentication with the RLOGIN Berkeley R Command.	Chapter 23, <i>Managing Kerberos</i> .	Chapter 8, <i>RLOGIN: Logging in to a Remote Host</i> .
Kerberos Authentication for RSH	Use Kerberos V4 authentication with the RSH Berkeley R Command.	Chapter 23, <i>Managing Kerberos</i> .	Chapter 9, <i>RSH: Issuing Commands on the Remote Host</i> .
Kerberos Authentication for TELNET	Use Kerberos V4 authentication with TELNET-OpenVMS.		Chapter 12, <i>TELNET: Connecting to Remote Terminals</i> .
IP Security Option (IPSO)	Provide IP datagram protection using the IP Security Option (IPSO) protocol.	Chapter 24, <i>IP Security Option (IPSO)</i> .	
Token Authentication	Use a Security Dynamics "smart card" token and TCPware's ACE/Client and its use of the ACE/Server to authenticate logins from FTP-OpenVMS, TELNET-OpenVMS, RLOGIN, and SET HOST sessions.	Chapter 22, <i>Managing Token Authentication</i> .	Chapter 14, <i>Token Authentication: Protecting Logins</i> .



**Table 2-11 TCPware Features for Securing Network Resources (Continued)**

<b>This component...</b>	<b>Allows you to...</b>	<b>As a system manager, see the <i>Management Guide</i>,</b>	<b>As a user, see the <i>User's Guide</i>,</b>
Secure Shell (SSH)	Configure and maintain the TCPware Secure Shell (SSH) server. This is the server side of the software that allows secure interactive connections to other computers in the manner of rlogin/rshell/telnet.	Chapter 25, <i>Configuring the Secure Shell (SSH) Server</i> .	Chapter 16, <i>Accessing Remote Systems with the Secure Shell (SSH) Utilities</i>

## Tunneling External Applications over IP

You can tunnel DECnet applications over IP networks if you are using DECnet Phase IV (see Table 2-12.) A connection established between two systems running different protocols is known as a tunnel.

**Table 2-12 TCPware Features for Tunneling Applications over IP**

<b>This component...</b>	<b>Allows you to...</b>	<b>As a system manager, see the <i>Management Guide</i>,</b>
Tunneling DECnet over IP (for DECnet Phase IV)	Connect two DECnet networks over an IP link.  Use with DECnet Phase IV only. There is no need to use this feature with DECnet/OSI (DECnet Phase V).	Chapter 28, <i>Tunneling DECnet over IP</i> .

## Programming Network Interfaces

If you are a network programmer, you can perform programming functions using the programming interfaces discussed in the Programmer's Guide (see Table 2-13).

**Table 2-13 TCPware Network Programming Interfaces**

<b>This component...</b>	<b>Allows you to...</b>	<b>As a system programmer, see the <i>Programmer's Guide</i>,</b>
FTP Library	Use a programming interface to the FTP protocol. Use the FTP-OpenVMS library routines in your own applications to provide FTP capabilities.	Chapter 7, <i>FTP Library</i> .
Socket Library	Use either the HP Computer C Socket Library (for OpenVMS Version 5.3 and later) or the TCPware Socket Library (for earlier version or you are using the Remote Procedure Call routines).	Chapter 8, <i>Socket Library</i> .
TELNET Library	Use a programming interface to the TELNET protocol. Use the TELNET-OpenVMS library routines in your own applications to provide FTP capabilities.	Chapter 9, <i>TELNET Library</i> .
UCX Compatibility Services	Use the BGDRIVER \$QIO programming interface for compatibility with HP's TCP/IP Services for OpenVMS (formerly UCX) product.	Chapter 2, <i>UCX Compatibility Services</i> .
QIO Programming Interfaces	Use \$QIO programming interfaces to TCP/IP. These include the BGDRIVER, TCPDRIVER, UDPDRIVER, IPDRIVER, and INETDRIVER interfaces.	Chapter 10, <i>SNMP Extendible Agent API Routines</i> .

**Table 2-13 TCPware Network Programming Interfaces (Continued)**

<b>This component...</b>	<b>Allows you to...</b>	<b>As a system programmer, see the <i>Programmer's Guide</i>,</b>
SNMP Extensible Agent Application Programming Interface (API) Routines	Use API routines required for an application program to export private Management Information Bases (MIBx) using the TCPware SNMP agent.	Chapter 10, <i>SNMP Extensible Agent AAPI Routines</i> .
Token Authentication ACE/Client API Functions	Use API functions for programs that interact between the ACE/Client and ACE/Server to enable Token Authentication.	Chapter 11, <i>Token Authentication API Functions</i> .



## **PART II    User Functions**

---

Chapter 3	FTP: Transferring Files
Chapter 4	Kerberos User Commands
Chapter 5	Network Printing
Chapter 6	RCD and RMT: Remote CD-ROMs and Tapes
Chapter 7	RCP: Copying Files
Chapter 8	RLOGIN: Logging in to a Remote Host
Chapter 9	RSH: Issuing Commands on a Remote Host
Chapter 10	SMTP: Transferring Mail
Chapter 11	TALK: Exchanging Terminal Messages
Chapter 12	TELNET: Connecting to Remote Terminals
Chapter 13	TFTP: Initiating Trivial File Transfers
Chapter 14	Token Authentication: Protecting Logins
Chapter 15	WHOIS: Username Directory Services
Chapter 16	Accessing Remote Systems with the Secure Shell (SSH) Utilities
Appendix A	TCPware Logicals
Glossary	



# FTP: Transferring Files

## Introduction

The File Transfer Protocol (FTP) transfers files to and from a remote host. FTP-OpenVMS controls the method by which FTP transfers the files.

The Client-FTP utility is your interface to FTP-OpenVMS. You can run Client-FTP interactively or through a startup command procedure.

For FTP-OpenVMS to operate between two hosts, the remote host must provide a compliant client or server. You can run FTP directly (interactively) or indirectly from a command procedure. Client-FTP supports multiline recall of up to 20 lines.

## Before Using FTP

Before you can transfer files, you need:

- To make sure that the FTP-OpenVMS software is installed, configured, and started on your system.
- The name or internet address of the remote host to which you want to connect.
- The username and password of the account on the remote host. If the remote host does not support multiuser protection features, you might not need a username and password. If you are using TCPware's Token Authentication, the password is the PASSCODE generated on your SecurIDW token.
- The filenaming conventions on the remote host.

## FTP Session

A typical FTP session consists of the following steps:

- 1 Open the FTP connection.

- 2 Determine the format of the files you want transferred.
- 3 Transfer files using the GET (MGET), PUT (MPUT), or COPY commands or selections on the graphical user interface windows. The default file format is formatted ASCII.
- 4 Close or exit the FTP connection.

## Features

FTP-OpenVMS includes the following features:

- Choice of command line execution or graphical user interface execution (for DECwindows Motif Version 1.1 or later).
- Informational and error status messages.
- Support of wildcards in source file specs.

Table 3-1 describes some of the features of Client-FTP.

**Table 3-1 Client-FTP Features**

This feature...	Means that...
Command Line or Graphical User Interface Command Execution	<p>Client-FTP allows you to execute FTP commands either at the <code>FTP&gt;</code> prompt or through a DECwindows graphical user interface environment. The user interface is provided with DECwindows Motif Version 1.1 and later.</p> <p>You can use either DCL-style syntax or UNIX-style syntax at the <code>FTP&gt;</code> prompt.</p> <p>DCL-syntax can include qualifiers:</p> <pre>FTP&gt; DIRECTORY *.DIR /BRIEF</pre> <p>You usually enter UNIX-style commands in lowercase:</p> <pre>FTP&gt; ls *.dir</pre>
Case Conversion	<p>Client-FTP no longer converts the user name, password, and account to lowercase if they were not supplied on the <code>OPEN</code> and <code>USER</code> command line and thus prompted for. If you are prompted for these parameters you must enter them in the proper case, since quotes are no longer needed to maintain case.</p>
Status Messages	<p>Client-FTP issues informational and error messages. These messages are self-explanatory and conform to the standard OpenVMS message format.</p> <p>The numeric codes that prefix these messages conform to the RFC 959 standard for FTP.</p>



**Table 3-1 Client-FTP Features (Continued)**

<b>This feature...</b>	<b>Means that...</b>
Wildcards	<p>Client-FTP supports wildcards for the COPY, GET, PUT, DELETE, and DIRECTORY commands. The acceptable wildcard characters are:</p> <ul style="list-style-type: none"> <li>• Percent sign (%) or question mark (?) to represent individual characters.</li> <li>• Asterisk (*) to represent multiple characters.</li> </ul> <p>If you include the asterisk wildcard to represent multiple files to FTP, use the MGET, MPUT, or MDELETE commands, or specify the /MULTIPLE qualifier with the GET, PUT, COPY, or DELETE command. These two examples produce identical results:</p> <pre>FTP&gt; MGET *.TXT FTP&gt; COPY *.TXT/MULTIPLE/REMOTE *</pre> <p><b>Note!</b> You do not require the asterisk for the destination with MGET, but you do require it with COPY.</p> <p>If enclosed in a quoted string, wildcard symbols no longer act as wildcards.</p>

**Note!** You can customize the appearance of your graphical user interface by using Motif resources in a resource file. This file is called DECW\_FTP.DAT and is in your login directory.

The most important resource is the one that sets your application window to fit the screen. If you run your application from a PC with a small, 14-inch monitor, for example, you might want to use the following resource:

```
*DXmfitToScreenPolicy: AS_NEEDED
```

If the window size is bigger than the screen can handle, scroll bars appear in the windows so that you can scroll to parts of the window.

Other examples of using resources include:

```
DECW_FTP*background: gray
```

```
DECW_FTP*foreground: black
```

These set the screen background color to gray and the foreground color to black. See your Motif documentation for other possible resource settings.

**Note!** Wherever possible, the procedural descriptions that follow cover the command line and graphical user interface execution methods. If you prefer the graphical user interface method, you can execute most file transfer and manipulation functions from the **TCPware FTP-OpenVMS File Transfers** window shown in Figure 3-3 and Figure 3-4. Many of the

functions in this window have command line equivalents.

If you need further information on performing a particular function in the **TCPware FTP-OpenVMS File Transfers** window, see its command equivalent in the *Command Reference*.

**Note!** TCPware provides secure FTP-OpenVMS logins through its Token Authentication feature, if installed and enabled. For more information, see Chapter 14, *Token Authentication: Protecting Logins*.

## Opening a Connection

Only one FTP connection can be open at a time. Once open, all file transfers and other remote operations use that connection.

You can open an FTP connection by using either the command line user interface, or the graphical user interface if you have a DECwindows system.

**Command line method.** Use this method if you want to issue commands from the DCL prompt (see Figure 3-1).

1 Enter one of the following at the DCL prompt:

```
$ FTP
FTP> OPEN host
```

in combination:

- *host* is the name of the host to which you want to connect. Respond to the login prompts, if any, of the remote host. After a successful login, the `FTP>` prompt appears where you enter the FTP commands described in the following sections. This is the option shown in Figure 3-1.

```
$ FTP[/TLS] host
```

- *host* is the name of the host to which you want to connect. Respond to the login prompts, if any, of the remote host. After a successful login, the `FTP>` prompt appears where you enter the FTP commands described in the following sections. If `/TLS` is included on the command line, then TLS authentication will be used before user authentication is entered.

```
$ FTP[/TLS] host username password
```

Enter the host to which you want to connect, the username of the account on the remote host, and the password (PASSCODE if using Token Authentication) of the account on the remote host as part of the command. After a successful login, the `FTP>` prompt appears where you enter the FTP commands described in the following sections.

See the `OPEN` command if you are using a SecureID card for password authentication.

2 At the end of your FTP session, use the `CLOSE` command to close the connection and exit FTP. (See *Closing and Exiting* for the different close options.)

**Graphical user interface method.** You can use the graphical user interface method if you have a DECwindows host running DECwindows with Motif Version 1.1 or later (see Figure 3-2):

1 At the DCL prompt, enter:

```
$ SET DISPLAY/CREATE/NODE=display-node/TRANSPORT=TCPIP
$ DECW_FTP
```

- 2 When the **TCPware FTP-OpenVMS Connections** window appears, enter at the **Remote Host:** field, tab to the **Username:** field and enter at it, and tab to the **Password:** field and enter at it. Then click the **OPEN** button.

A **TCPware FTP-OpenVMS Message Window** shows all the actions FTP-OpenVMS takes from this point on. Figure 3-3 and Figure 3-4 on the following pages show an example of the two parts to the **TCPware FTP-OpenVMS File Transfers** window that appears when you open a connection from the **TCPware FTP-OpenVMS Connections** window.

**Figure 3-1 Opening an FTP Connection Using the Command Line Method**

```
(Eta) $ FTP [1]
FTP> OPEN THETA
  _Username: SMITH
  _Password:
FTP> GET TEST.TXT
.
. [2]
.
FTP> CLOSE
```

**Figure 3-2 Opening an FTP Connection Using the Graphical User**

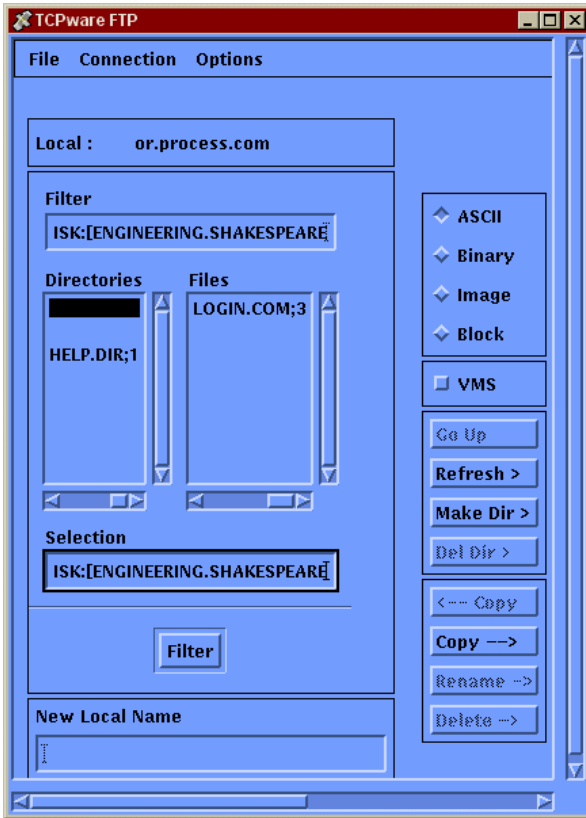
```
(Eta) SET DISPLAY/CREATE/NODE-MYNODE/TRANSPORT-TCP/IP [4]
(Eta) DECW_FTP
```

**TCPware FTP-OpenVMS Connections**

<b>Remote Host:</b>	<input style="width: 80%;" type="text" value="THETA"/>
<b>Username:</b>	<input style="width: 80%;" type="text" value="SMITH"/>
<b>Password:</b>	<input style="width: 80%;" type="password" value="*****"/>

**Note!** For the graphical user interface, FTP-OpenVMS stores the connection information in the `DECW_FTP_PROFILE.DAT` file in your login directory to set up the next connection. See the note in the previous section first.

Figure 3-3 "Local" and "Remote" Part of the File Transfers Window



## Graphical User Interface

The graphical user interface method offers a number of options from the TCPware FTP-OpenVMS File Transfers screen.

You can set various options by clicking **Options** on the menu bar on the TCPware OpenVMS File Transfers screen (see Figure 3-3). These options are:

- Settings (see the top screen in Figure 3-4)
- Viewer Preferences (see the bottom screen in Figure 3-4)

Here is the process to use:

- 1 Click **Options** followed by **Settings...** to get the **TCPware FTP-OpenVMS Settings** window. This window presents the following options:

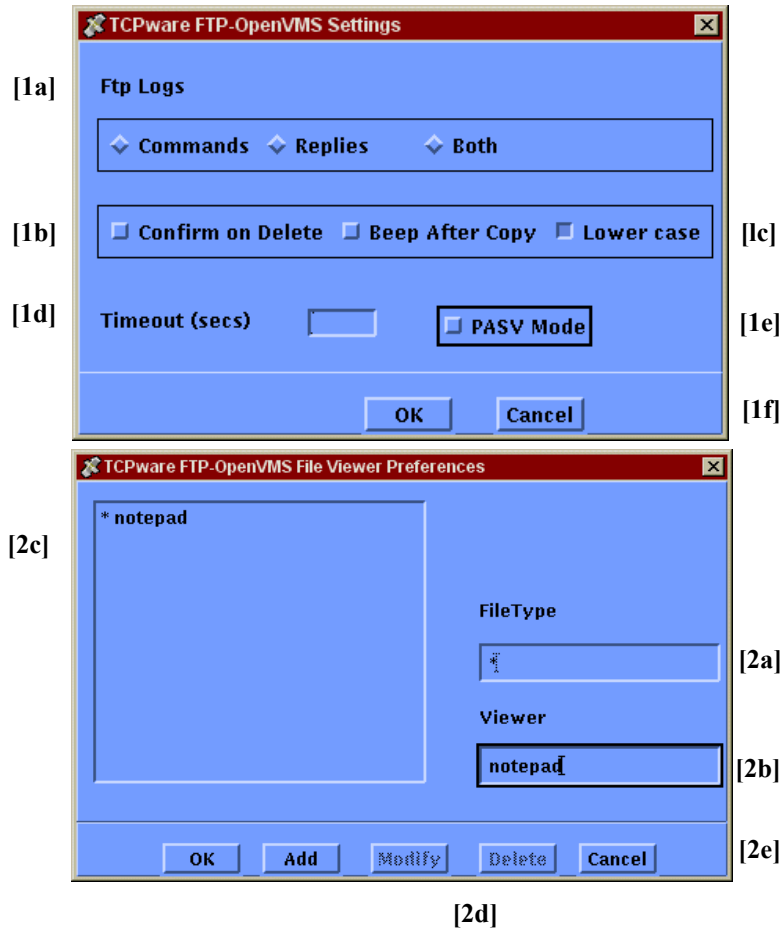
FTP Logs	You can select to log <b>Commands</b> , <b>Replies</b> , or <b>Both</b> . Your password appears on the screen if you use the <b>Commands</b> or <b>Both</b> setting.
Confirm on Delete	Click the box to confirm file or directory deletion.
Beep After Copy	Click the box to enable a beep when copying is complete.
Timeout (secs)	Set the FTP session timeout, in seconds.
PASV Mode	Click the box to set passive mode transfers (see the SET [NO]PASSIVE command).  To accept the settings you make on this screen, click <b>OK</b> ; to cancel the window, click <b>Cancel</b> .

- 2 Click **Options** followed by **View...** to get the **TCPware FTP-OpenVMS File Viewer Preferences** window, with the following options:

File Type	Enter a file extension to indicate the type of file you would like to view; for example, enter <b>c</b> for files with the <b>.C</b> extension, <b>ps</b> for files with the <b>.PS</b> extension, or <b>*</b> for any file type.
Viewer	Enter the type of viewer to use for the file type; these should be DCL commands or foreign commands you define before invoking the application; for example, enter the DCL command <b>view/interface=decwindows/format=ps</b> to use the CDA Viewer with <b>.PS</b> files.
	Click <b>Add</b> to add the <b>File Type</b> and <b>Viewer</b> combination entered; the results appear in the scrollable list to the left of the <b>File Type</b> and <b>Viewer</b> fields.
	Click a list item and click the <b>Modify</b> or <b>Delete</b> button to modify or delete the item.
	To cancel the window, click <b>Cancel</b> .

**Note!** Changes you make to settings and viewer preferences are stored in **DECW\_FTP\_SETTINGS.DAT** and **DECW\_FTP\_VIEWERS.DAT** files, respectively, in your login directory.

Figure 3-4 FTP-OpenVMS Window Options



## Closing and Exiting

An FTP connection remains open until you quit or exit FTP, close the connection, or open a new connection.

**Command line method.** See Figure 3-6:

**1** To close an FTP connection, use one of the following commands:

FTP> **CLOSE**

Closes the current connection and continues the FTP session for the next command.

FTP> **OPEN host**

FTP> **CONNECT host**

Both OPEN and CONNECT close the current connection and open another one.

2 To exit an FTP session:

```
FTP> EXIT (or Ctrl/Z)
```

See the CLOSE, OPEN, and EXIT commands in the *Command Reference*.

**Graphical user interface method.** See Figure 3-7:

1 To close an FTP connection from the **TCPware FTP-OpenVMS File Transfers** window, click the **Connections** option on the menu bar and click the **Close...** option. The information in the "Remote" part of the screen disappears.

To reopen a connection, click the **Connection** option on the menu bar and click the **Open...** option. (**Open** is initially greyed-out.)

2 To exit from FTP entirely from any of the DECwindows screens, click the **File** option on the menu bar and click the **Exit** option.

**Figure 3-5 Closing from the Command Line**

```
(Eta) $ FTP
FTP> OPEN THETA
  _Username [smith]: REMOTE_SMITH
  _Password:
FTP>
FTP> GET TEST.TXT   [1]
.
.
FTP> CLOSE          [2]
FTP> EXIT
(Eta) $
```

## Checking Directories

After you establish an FTP connection, you can check the directories on the remote or local host to locate the file(s) you want.

To check remote directories and determine the file format type when in FTP (see Figure 3-7):

1 Open the FTP connection and enter: `FTP> DIRECTORY`

- Use the CD or SET DEFAULT /REMOTE command to move to other directories on the remote host.
- If you use the menu-driven method, see the "Remote" part of the **FTP for TCPware for OpenVMS** screen (see Figure 3-3). You can double-click any of the listed directories, change the pathname in the **Current Remote Directory** field, or use the **Go Up** button in the middle of the screen.

- 2 Check file extensions to determine file types. You might need to enter special qualifiers when you transfer certain types of files.

See Table 3-2 in the next section for a description of the file transfer formats.

- 3 Check the local directory when in FTP: `FTP> LDIR`

If you use the menu-driven method, see the "Local" part of the **FTP for TCPware for OpenVMS** screen (see Figure 3-2).

- 4 Use the LCD or SET DEFAULT /LOCAL command to move to other directories on the local host.

See the DIRECTORY, LDIR, and SET DEFAULT commands in the *Command Reference* for checking directories.

**Figure 3-6 Checking Remote and Local Directories**

```

FTP> DIRECTORY [1]
total 49
-rwxr-xr-x 1 smith users 340 Oct 1 16:34 .login
-rwxr-xr-x 1 smith users 138 Oct 1 16:34 .profile [2]
drwxr-xr-x 2 smith users 512 Oct 1 16:34 bin
-rw-r--r-- 1 smith users 46080 Oct 1 10:58 sys.exe
drwxr-xr-x 2 root daemon 512 Feb 10 2001 .wastebasket
FTP>LDIR [3]
Directory DOC$DISK: [DOC.ENG]
ANDY.TXT;1 CYN.PS;2 DO_HELP.TXT;1
GLOSSARY.TXT;1 HELP.DIR;1 KIT_INFO.PS;1
LWK_PERSONAL_LINKBASE;1 SCREEN-FTP.DIR;1 SEND-NORM.C;1
Total of 9 files.

FTP> LCD [.HELP] [4]
FTP> LDIR
Directory DOC$DISK: [DOC.ENG.HELP]
BUILD.COM;1 FTPHELP.HLB;2 FTPHELP.RNO;1 FTPHELP.HLB;2
FTPHELP.RNO;1 HELP.MMS;1

Total of 6 files.

```

## Checking File Transfer Formats

You can determine what file format to use during file transfers. Client-FTP lets you transfer files in formatted ASCII, formatted binary, image, block, FORTRAN carriage control, and VMS formats. On OpenVMS systems, the filename extension can indicate the file type. Formatted ASCII is the default transfer file type and is usually sufficient for most files.

FTP converts the various file formats to formatted ASCII or IMAGE. (Executable and zip/compressed files are popular files in this category.) The formats are similar to the formats that the OpenVMS EXCHANGE utility provides to transfer between OpenVMS and DOS-11 or RT-11 file systems. You either specify the file transfer format when you use the GET, PUT, or COPY command, or Client-FTP determines the format from the source filename's extension.

See Figure 3-8 for an explanation of the file transfer formats.



Check file extensions to determine file types. You might need to enter special qualifiers when you transfer certain types of files.

- When you use the COPY, GET, or PUT commands to transfer files, you can use the /ASCII, /BINARY, /BLOCK, /FORTRAN, /IMAGE, or /VMS qualifiers to set the file transfer format. You can also set default file transfer formats using these qualifiers with the SET DEFAULT command, or specifying these keywords with the TYPE command. (See the SET DEFAULT and TYPE commands in the *Command Reference* for equivalent usage.)
- If you use the menu-driven method, you can make the file type selections in the middle part of the **TCPware FTP-OpenVMS File Transfers** screen (see Figure 3-4).

**Table 3-2 Client-FTP File Transfer Formats**

<b>This file format...</b>	<b>With extension...</b>	<b>Means...</b>
Formatted ASCII		ASCII records terminated with a CR and LF and transferred as ASCII. Use for all except formatted binary and image files. maximum formatted ASCII record size is 8192 bytes. In OpenVMS-to-"FTP ASCII" conversion, CR/LF pairs are added to the end of records. In "FTP ASCII"-to-OpenVMS conversion, CR/LF pairs are removed from the end of records.
Formatted Binary	.OBJ .STB .BIN .LDA	Binary records transferred as IMAGE. In OpenVMS-to-"FTP IMAGE" conversion, record header and checksum are added to all records. In "FTP IMAGE"-to-OpenVMS conversion, record header and checksum are removed from each record.  Remote hosts might not be able to distinguish between formatted binary and image files because both file types are transferred using "FTP IMAGE" format. In this case, the formatted binary files are stored as image files (and if properly transferred back, are formatted binary files again). This is typically not a problem because formatted binary files are system-dependent files.

**Table 3-2 Client-FTP File Transfer Formats (Continued)**

<b>This file format...</b>	<b>With extension...</b>	<b>Means...</b>
BLOCK		<p>File blocks transferred as IMAGE. Use for STREAM, STREAM_CR, STREAM_LF, and UNDEFINED record formats. Provides the highest transfer rates since it involves minimal processing.</p> <p>Very similar to image mode. In OpenVMS-to-"FTP IMAGE" conversion, and OpenVMS file is read using block-I/O mode without regard to record structure. In "FTP IMAGE"-to-OpenVMS conversion, an OpenVMS file is created with the STREAM_LF recordformat and is written using block-I/O mode.</p> <p><b>Note!</b> No padding of the last block of data occurs.</p> <p>Block mode is particularly useful for files with a STREAM, STREAM_CR, STREAM_LF, or UNDEFINED record format.</p>
FORTRAN		<p>Like formatted ASCII except that first character of each line controls how to display each line. Conversions are the same as for formatted ASCII.</p> <p>Attributes for the output file reflect that the file has a FORTRAN carriage control format. Some hosts do not distinguish between FORTRAN carriage control and ASCII files and might not support this transfer format.</p>
IMAGE	.EXE .TSK .OLB .MLB .SYS .SML .ULB	<p>Fixed-length binary records transferred as IMAGE. In OpenVMS-to-"FTP IMAGE" conversion, records are read as is. In "FTP IMAGE"-to-OpenVMS conversion, records are written as fixed length. If the last record is too short (less than 512 bytes), it is padded with binary zeros.</p>
VMS		<p>Use for RMS file transfers between OpenVMS systems. Systems that support this structure negotiate it automatically.</p> <p>The VMS file structure types are richer than those of UNIX for which FTP is designed. Thus VMS and VMS-Plus modes were added to help in transferring OpenVMS files.</p>

## Using GET, PUT, and COPY

Use the GET, PUT, or COPY commands to transfer files.

<b>GET</b>	"Gets" a copy of a file from the remote host and places it in the current local directory.
<b>PUT</b>	"Puts" a copy of a local file in the current directory on the remote host.
<b>COPY</b>	"Gets" or "puts" a copy of a file, depending on use of the /LOCAL or /REMOTE qualifier after the source or destination parameter. COPY requires the destination parameter.

**Command line method.** Figure 3-9 shows the format and filename syntax of the GET, PUT, and COPY commands. Follow the examples and observe the following conventions when you transfer files between remote and local hosts (the sequence is not important):

- If using GET or PUT, omit *destination* if you want to use the *source* filename (and extension if it exists), unless *source* is a quoted string. COPY requires the destination parameter. If using COPY, use a wildcard (asterisk) for *destination* when you want to use the source filename as the destination filename.
- If copying to or from a non-OpenVMS filespec, enclose it in double quotes (" ").
- Separate multiple filespecs with commas.
- If using wildcarded source filespecs (with an asterisk), use the /MULTIPLE qualifier. Alternatively, use the MGET or MPUT command to copy wildcarded source files. (Note that this requires setting the remote default directory first.)
- Including an asterisk (\*) after the semicolon (;) in a destination parameter preserves the file version when copying to a remote host.

**Note!** If the file version in the source parameter already exists at the destination, that version is overwritten at the destination. Also, you do not get a warning if a higher numbered destination version already exists.

- If a DECnet file, use the full OpenVMS filespec.
- At this point, the file transfer format you determined is important.

See the GET, PUT, and COPY commands in the *Command Reference*. The RCP command is also available at the DCL prompt for remote file copies (see Chapter 7, *RCP: Copying Files*, for details on its use).

**Note!** FTP-OpenVMS does fast transfers between two OpenVMS systems using VMS file structure or VMS Plus Mode (for HP TCP/IP Services for OpenVMS (UCX) servers). When FTP-OpenVMS identifies file transfers between two OpenVMS hosts running TCPware, it automatically transfers files in large blocks rather than small records. These VMS modes greatly increase the transfer speed and preserve all Record Management Services (RMS) file attributes. The VMS modes are disabled with non-OpenVMS systems. See Table 3-2 on the previous page for the file transfer format descriptions.

**Graphical user interface method.** To transfer files:

<b>From local to remote</b>	click one or more files on the "Local" part of the <b>File Transfers</b> screen (see Figure 3-3) and click <b>Copy--&gt;</b> . To give the file a specific name on the remote host, enter a filename in the <b>New Remote File/Dir Name</b> field.
<b>From remote to local</b>	click one or more files on the "Remote" part of the <b>File Transfers</b> screen (see Figure 3-4) and click <b>--Copy</b> . To give the file a specific name on the local host, enter a filename in the <b>New Local Name</b> field.

See the following information on symbolically linked UNIX systems.

**Figure 3-7 GET, PUT, and COPY Command Format**

```

$ CREATE FTP_STARTUP.COM
OPEN IRIS SMITH "Sandy"
SHOW STATUS
<Ctrl/z>
$ EDIT LOGIN.COM
.
.
.
$ DEFINE/PROCESS FTP_STARTUP "SYS$LOGIN:FTP_STARTUP.COM"
<Ctrl/z>

$ FTP
220 IRIS.process.com (192.168.12.34) FTP-OpenVMS FTPD V5.5 (c) 2001
Process Software
331 Password required.
230-
230-      Welcome to OpenVMS VAX V6.2 (IRIS)
230-      with TCPware 5.5
230-
230 User logged in, proceed.
257 "SYS$SYSROOT:[SYSMGR]"
Client-FTP V5.5 Copyright (c) 2001 Process Software

Connected to IRIS.process.com (192.168.12.34).
Logged in as user "SMITH".

The local default is ENG_DOC:[ENGINEERING.SMITH]
The remote working directory is SYS$IRIS:[SMITH]

Default qualifiers are /VMS

FTP>

```

**Symbolic links in UNIX systems.** UNIX systems can have files or directories pointing to other files or directories, known as symbolic links. TCPware treats symbolic links as directories, which appear in the **Remote Directories** field on the menu screens. Once you click and perform an operation on a symbolic link, the directory name disappears from the **Remote Directories** field and the file to which it points appears in the **Remote Files** field. You can then treat the file like a regular UNIX file.

## Anonymous Users

You can access some remote resources as an ANONYMOUS user instead of with your usual username and password. This is especially useful for access to sites such as the U.S. Library of Congress (LOCIS.LOC.GOV) that allow anonymous user access to some of their files.

Anonymous access depends on your use of the /ANONYMOUS qualifier with the FTP commands that require a file or directory specification using the node name syntax.

You can access some remote resources as an ANONYMOUS user in one of the following ways (see Figure 3-9):

- 1 By default, use the node name file syntax (as described below) with any FTP command that requires a file or directory specification (such as COPY, DIRECTORY, RENAME, and SET DEFAULT). This file syntax sends the ANONYMOUS username and your e-mail address as a password.

Thus, the following file or directory specification: `node::path`

is equivalent to: `node"ANONYMOUS your-email-address":path`

With OpenVMS Alpha V6.1 and later, and all OpenVMS I64 systems, node can be a domain name or IP address.

- 2 Use the filespec syntax described in Figure 3-8 and (optionally) add the /ANONYMOUS qualifier, or deny remote anonymous access using the /NOANONYMOUS qualifier.

Using the node name file syntax (and the /ANONYMOUS or /NOANONYMOUS qualifier) affects the following FTP commands:

COPY	CREATE/DIRECTORY	DELETE	DIRECTORY	DISPLAY
GET	LS	MDELETE	MGET	MKDIR
MPUT	PUT	RENAME	RMDIR	SET DEFAULT

Figure 3-8 shows examples of how to allow or deny anonymous user access to remote resources.

**Figure 3-8 Anonymous User Access**

```

The following examples assume a user with E-mail address SAM@HOMER.COM wanting access to
anonymous directories on DELTA:
FTP> DIRECTORY DELTA::] [1]

This is equivalent to:
FTP> DIRECTORY DELTA"ANONYMOUS SAM@HOMER.COM":]

which is also equivalent to:
$ FTP DELTA ANONYMOUS SAM@HOMER.COM
FTP> DIRECTORY
FTP> COPY DELTA::]STUFF.TXT [1]

This copies the STUFF.TXT file from the anonymous directory on remote host DELTA to the local
host and is the same as:
FTP> COPY DELTA::]STUFF.TXT /ANONYMOUS [2]

which is equivalent to:
FTP> COPY DELTA"ANONYMOUS SAM@HOMER.COM":]STUFF.TXT
FTP> MGET DELTA::]* [1]

This copies the entire anonymous login directory on DELTA to the local host and is equivalent to:
FTP> MGET DELTA"ANONYMOUS SAM@HOMER.COM":]*
FTP> SET DEFAULT DELTA::] [1]
FTP> CD DELTA::]

Both equivalent commands set the remote directory to the anonymous directory on DELTA and are
equivalent to:
FTP> SET DEFAULT DELTA"ANONYMOUS SAM@HOMER.COM":]
FTP> GET DELTA::]STUFF.TXT /NOANONYMOUS [2]

This disables access to the anonymous directory on DELTA

```

## Startup Command File

You can have a startup file execute FTP commands each time you invoke FTP. The startup file contains commands you want your system to perform at the beginning of each FTP session. Your system manager might already have defined a system-wide FTP startup file. Creating an FTP startup file is optional.

The startup command file in Figure 3-9 opens a remote connection, sends the password, and initiates a SHOW STATUS command.

You can set up an FTP startup command file or override one established by the system manager at the system level using the following procedure:

- 1 Create an FTP\_STARTUP.COM file in your directory.

- 2 In the file, include the FTP commands you want executed each time you start an FTP session. If you include a password, make sure to use quotation marks to preserve case.
- 3 Edit your LOGIN.COM file and define the FTP\_STARTUP logical to point to the startup file:

```
$ DEFINE/PROCESS FTP_STARTUP "SYS$LOGIN:FTP_STARTUP.COM"
```

Using the DEFINE/PROCESS FTP\_STARTUP entry in the user's LOGIN.COM file causes that file to override any FTP startup command file at the system level.

- 4 Run FTP.

Whenever you run Client-FTP, it looks for the file to which the FTP\_STARTUP logical points, and processes all the commands in that file.

If the EXIT or QUIT command appears in the startup file, Client-FTP:

- Ignores all commands following the EXIT or QUIT command.
- Continues with FTP operations after the startup command file.

**Note!** VERBOSE mode is set ON by default so that you can read replies from the FTP server when you connect or change server directories. This means that you do not need to include the SET DEBUG /CLASS=REPLIES (or its equivalent VERBOSE) command in the startup command file. Although an existing SET DEBUG /CLASS=REPLIES command in the file does not change the mode, a VERBOSE command toggles VERBOSE mode OFF. (See the SET DEBUG /CLASS command description in the *Command Reference*.) If you are an ANONYMOUS user, VERBOSE mode might help in reading any informational messages the FTP server creates.

**Figure 3-9 Setting Up a Startup Command File**

```

$ CREATE FTP_STARTUP.COM                               [1]
OPEN IRIS SMITH "Sandy"
SHOW STATUS                                           [2]
<Ctrl/z>
$ EDIT LOGIN.COM
.
.                                                       [3]
$ DEFINE/PROCESS FTP_STARTUP "SYS$LOGIN:FTP_STARTUP.COM"
<Ctrl/z>                                             [4]

$ FTP
220 IRIS.process.com (192.168.12.34) FTP-OpenVMS FTPD V5.5 (c) 2001
Process Software
331 Password required.
230-
230-      Welcome to OpenVMS VAX V6.2 (IRIS)
230-      with TCPware 5.5
230-
230 User logged in, proceed.
257 "SYS$SYSROOT:[SYSTEMGR]"
Client-FTP V5.5 Copyright (c) 2001 Process Software

Connected to IRIS.process.com (192.168.12.34).
Logged in as user "SMITH".

The local default is ENG_DOC:[ENGINEERING.SMITH]
The remote working directory is SYS$IRIS:[SMITH]

Default qualifiers are /VMS

FTP>

```

## Site-Specific Commands

The FTP-OpenVMS Server supports the SITE SPAWN and SITE SHOW TIME site-specific commands. The Client-FTP can issue these commands at any time.

Site-specific commands can vary depending on the remote FTP server; some servers do not support any.

Issue the FTP-OpenVMS site-specific commands in one of the following ways at the FTP> prompt (see Figure 3-10):

### 1 SITE SHOW TIME

This command returns the current date and the time of day for the OpenVMS system in the reply message.

### 2 SITE SPAWN *dcl-command*

This command allows you to execute any DCL command as a subprocess. You typically use this command to print files, submit batch jobs, execute command procedures, or issue other commands.

The screen does not display the output the subprocess generates. The system returns status from the subprocess as the status for the SITE SPAWN command.

**Note!** Spawning is not allowed for CAPTIVE accounts.

See the SITE and SPAWN commands in the *Command Reference*.

### Figure 3-10 Issuing Site-Specific Commands

---

```
$ FTP
FTP> OPEN CONDOR
_Username [wombat]:WOMBAT
_Password:
FTP> SITE SHOW TIME [1]
200 The date and time is "3-NOV-2001 11:36:18.30"
FTP>

FTP> DIR
Directory DOC$DISK: [DOCUMENT.WOMBAT]

ANDY.TXT;1      4      4-NOV-2001    09:08:41.13
CYN.PS;2       53     14-JAN-2001   14:10:41.22
DNIP.TXT;1     8      10-JAN-2001   14:00:08.40
DO_HELP.TXT;1  8      19-NOV-2001   09:49:37.92

FTP> SITE SPAWN PRINT/QUE=ENG_PRINTER_ANSI ANDY.TXT [2]
200 SITE command okay.
FTP>
```



---

## Sample Session

This section describes a sample FTP-OpenVMS session.

See Figure 3-11 for the corresponding numbered steps. In this example, a user on local host BETA:

- 1** Starts Client-FTP, opens a connection to remote host THETA, and logs in as user SMITH (the display does not echo the password at the prompt). (If you are using Token Authentication, enter your PASSCODE in place of the password here.)
- 2** Using PUT, copies the local SYS.EXE file to THETA.
- 3** Using GET, copies the SYS.EXE file on THETA back to BETA.
- 4** Obtains a remote directory listing. There is a SYS.EXE file.
- 5** Deletes the SYS.EXE file.
- 6** Obtains another remote directory listing. SYS.EXE is now gone.
- 7** Obtains a local directory listing. Note that SYS.EXE;1 still exists locally.
- 8** Opens a connection to host ALPHA (running OpenVMS and FTP-OpenVMS) and logs in as USER. This closes the connection to THETA.
- 9** Obtains a remote directory listing on ALPHA.
- 10** Using GET, copies the ASCII file SCREEN\_FTP.TXT on ALPHA to BETA.
- 11** Changes the default for transferring files from formatted ASCII to IMAGE.
- 12** Using GET, copies the SEND-NORM.BIN, SEND-NORM.OBJ and SEND.OBJ files from ALPHA as image files on the local host.
- 13** Obtains a local directory listing. SCREEN-FTP.TXT, SEND-NORM.BIN, SEND-NORM.OBJ, and SEND.OBJ are now present.
- 14** Exits FTP.

Figure 3-11 Sample FTP-OpenVMS Session

```

(BETA) $FTP
FTP> OPEN THETA [1]
  _Username [smith]: SMITH
  _Password:
FTP> PUT SYS.EXE* [2]
FTP> GET SYS.EXE* [3]
FTP> DIR [4]
total 4
-rwxr-xr-x 1 smith users 340 Oct 1 16:34 .login
-rwxr-xr-x 1 smith users 138 Oct 1 16:34 .profile
drwxr-xr-x 2 smith users 512 Oct 1 16:34 bin
-rw-r--r-- 1 smith users 46080 Oct 1 10:58 sys.exe
FTP> DELETE SYS.EXE
FTP> DIR [5]
total 3
-rwxr-xr-x 1 smith users 340 Oct 1 16:34 .login
-rwxr-xr-x 1 smith users 138 Oct 1 16:34 .profile
drwxr-xr-x 2 smith users 512 Oct 1 16:34 bin
FTP> LDIR
Directory DOC$DISK[DOC.BNG] [7]
ANDY.TXT;1      CYN.PS2      DO_HELP.TXT;1
GLOSSARY.TXT;1  HELP.DIR;1  KIT_INFO.PS;1
LWK_PERSONAL.LINKBASE;1  SYS.EXE;1

Total of 8 files.
FTP> OPEN ALPHA
  _Username [smith]: USER [8]
  _Password:
FTP> DIR [9]
GLOSSARY.TXT;1      HOME.DIR;1      KIT_BUILD.HLB;1
LWK_PERSONAL.LINKBASE;1  SCREEN-FTP.TXT;1  SEND-NORM.BIN;1
SEND-NORM.OBJ;1      SEND.OBJ;1

FTP> GET SCREEN-FTP.TXT [10]
FTP> SET DEFAULT /IMAGE [11]
FTP> GET SEND-NORM.BIN, SEND_NORM.OBJ, SEND.OBJ [12]
FTP> LDIR [13]
Directory DOC$DISK[DOC.BNG]
ANDY.TXT;1      CYN.PS2      DO_HELP.TXT;1
GLOSSARY.TXT;1  HELP.DIR;1  KIT_INFO.PS;1
LWK_PERSONAL.LINKBASE;1  SCREEN-FTP.TXT;1
SEND-NORM.BIN;1  SEND-NORM.OBJ;1  SEND.OBJ;1
SYS.EXE
Total of 12 files.
FTP> EXIT [14]

```

## Command Reference

The following pages describe the FTP-OpenVMS commands. Table 3-3 contains command synonyms you can use interchangeably with FTP-OpenVMS commands. Table 3-4 shows commands you can use to do various tasks. Each command includes the graphical user interface equivalent, if available.

Enter FTP commands at the FTP> prompt. Client-FTP supports the following commands:

ACCOUNT	ENABLE VMS_PL	PWD	SET PASSIVE
CCC	ERROR_EXIT	QUOTE	SET VMS
CLOSE	EXIT	REMOTEHELP	SET STATUS
COPY	GET	RENAME	SITE
CREATE/DIR	HELP	SET BELL	SPAWN
DEFINE/KEY	LDIR	SET DEBUG	STRUCTURE
DELETE	OPEN	SET DEFAULT	TYPE
DIRECTORY	PROTECTION	SET HASH	USER
DISPLAY	PUT	SET LOWERCASE	

**Table 3-3 FTP Command Synonyms**

<b>This command...</b>	<b>Is a synonym for the FTP command...</b>
ASCII	TYPE ASCII
BELL	Toggles between SET BELL and SET NOBELL
BINARY or IMAGE	TYPE IMAGE
BYE or QUIT	EXIT
CD	SET DEFAULT /REMOTE
CONNECT	OPEN
DEBUG	Toggles SET DEBUG/CLASS=COMMANDS
DISCONNECT	CLOSE
H	HELP
HASH	Toggles between SET HASH and SETNOHASH
LCD	SET DEFAULT/LOCAL
LIST or LS	DIRECTORY/NAME_LIST
LOGIN	USER
MDELETE	DELETE/MULTIPLE
MGET	GET/MULTIPLE

**Table 3-3 FTP Command Synonyms (Continued)**

<b>This command...</b>	<b>Is a synonym for the FTP command...</b>
MKDIR	CREATE/DIRECTORY
MPUT	PUT/MULTIPLE
PASSIVE	Toggles between SET PASSIVE and SET NOPASSIVE
RECV	GET
RM	DELETE
RMDIR	DELETE/DIRECTORY
SEND	PUT
STATUS	HOW STATUS
VERBOSE	Toggles SET DEBUG/CLASS=REPLIES
Z	SPAWN

**Table 3-4 Commands to Use to Perform Various Tasks on the Local System**

DEFINE/KEY	Associate an equivalence string and set of attributes with a keyboard key
HELP	Bring up the Client-FTP online help facility
LCD	Set your local default directory
LDIR	List files in your local directory
SET BELL	Ring terminal bell after completing a file transfer
SET DEBUG	Display of debugging information
SET HASH	Enable hash marks during a file transfer
SET LOWERCASE	Convert unquoted filenames to lowercase in a file transfer request
SET PASSIVE	Sets passive mode
SET VMS	FTP-Client negotiates with the server for VMS file structure when opening a connection
SHOW STATUS	Show the status of the current connection and local default directory
SPAWN	Executive DCL commands without exiting FTP

**Table 3-4 Commands to Use to Perform Various Tasks on the Local System (Continued)**

STRUCTURE	Change the default file structure for a transfer (FILE, RECORD, or VMS)
TYPE	Change the default file transfer format (ASCII, BINARY, IMAGE, FORTRAN, BLOCK, VARIABLE, or DEFAULT)

**Table 3-5 Commands to Use to Perform various Tasks on the Remote System**

CD	Change the remote default directory
DELETE	Delete a file or directory on the remote host
DIR, LIST, or Is	List files on the remote host
MKDIR	Create a directory on the remote host
PWD	Display the name of the current working directory on the remote host
QUOTE	Send an FTP command to the remote server
REMOTEHELP	Bring up the remote FTP server's online help facility
RENAME	Rename a file on the remote host
SITE	Issue a site-specific command to the remote server
USER	Set the username at the remote host

**Table 3-6 TCPware FTP Logicals for Users**

<p><b>FTP_STARTUP</b></p> <p>Define the FTP_STARTUP logical to point to the FTP_STARTUP.COM file. For example:</p> <pre>\$ DEFINE /SYSTEM /EXECUTIVE FTP_STARTUP SYS\$MANAGER:FTP_STARTUP.COM</pre> <p>Client users can override this startup file by creating their own. Including the command DEFINE/PROCESS FTP_STARTUP in a user's LOGIN.COM file overrides any</p>
<p><b>TCPWARE_FTP_MAX_PRE_ALLOCATION</b></p> <p>The logical TCPWARE_FTP_MAX_PRE_ALLOCATION may be defined to limit the size that a file will be pre-allocated to when file size information is available at transfer time. This can be important when transferring very large files, as it can take a long time to pre-allocate the file at the start of the transfer and timeout routines in FTP and/or firewalls may cause connections to be dropped. This logical does not have any effect for STRU OVMS transfers of Indexed, Contiguous, or Contiguous, Best Try files; these files need to have accurate allocation size information at the start of the transfer.</p>

**Table 3-6 TCPware FTP Logicals for Users**

<p><b>TCPWARE_ADD_CC_ON_FIXED_RECORD_FILES</b></p> <p>If this logical is defined to TRUE and a file is transferred as TYPE IMAGE with QUOTE SITE RMS BLOCK OFF in effect, the FTP server will separate the records of a fixed length record file with the linefeed character. This is useful for avoiding the explicit conversion necessary when transferring the file to a non-VMS system with an FTP client that is not able to do record mode transfers.</p>
<p><b>TCPWARE_FTP_ALL_VERSIONS</b></p> <p>Requests the NLST and LIST commands to display all versions of the specified files. If TCPWARE_FTP_ALL_VERSIONS is defined, the logical TCPWARE_FTP_STRIP_VERSION has no effect.</p> <p>TCPWARE_FTP_ALL_VERSIONS is ignored if the FTP server is in UNIX emulation mode.</p>
<p><b>TCPWARE_FTP_DISALLOW_UNIX_STYLE</b></p> <p>Controls whether UNIX style filename parsing is done. If not defined and a / is found in the filename, it is assumed to be a UNIX style filename. The ? in the logical represents where defined values go. Defined values can be either alpha or numeric.</p> <pre>\$ DEFINE /SYSTEM /EXEC TCPWARE_FTP_DISALLOW_UNIX_STYLE FALSE</pre>
<p><b>TCPWARE_FTP_EXTENSION_QUANTITY</b></p> <p>Defines the default allocation/extension quantity for new files and appends. The ? in the logical represents where defined values go. Defined values can be either alpha or numeric.</p> <pre>\$ DEFINE /SYSTEM /EXEC TCPWARE_FTP_EXTENSION_QUANTITY n (number of blocks)</pre>
<p><b>TCPWARE_FTP_KEEP_DIR_EXT</b></p> <p>Sometimes the FTP server strips the .DIR extension from the file name of a directory when the NLST function is requested. The FTP server now looks for the logical TCPWARE_FTPD_KEEP_DIR_EXT and, if defined, does not remove the .DIR extension. To use this feature, define the logical as:</p> <pre>\$ DEFINE TCPWARE_FTPD_KEEP_DIR_EXT TRUE</pre> <p>To return to the default behavior, deassign this logical.</p>
<p><b>TCPWARE_FTP_MESSAGE_FILE</b></p> <p>Defines the message file the FTP user sees when connecting to the server or moving between directories. The definition of this logical is commented out but defined in the FTP_CONTROL.COM file as follows:</p> <pre>\$ DEFINE TCPWARE_FTP_MESSAGE_FILE ".MESSAGE"</pre>

**Table 3-6 TCPware FTP Logicals for Users**

<p><b>TCPWARE FTP NOKEEPALIVES</b></p> <p>If this logical is defined, the FTP server will not send keepalives on the control channel. The KEEPALIVE command allows the FTP client program to toggle, whether or not it desires keepalives to be sent on the control channel. The SET [NO]KEEPALIVE command allows the FTP client to explicitly set whether or not it desires keepalives on the control channel.</p>
<p><b>TCPWARE FTP ONLY_BREAK_ON_CRLF</b></p> <p>If this logical is set and an ASCII file is transferred, a new line is created in the file upon receipt of a carriage return/line feed sequence.</p> <p>If this logical is not set and an ASCII file is transferred, a new line is created upon receipt of either a carriage return/line feed sequence or a line feed.</p>
<p><b>TCPWARE FTP SEMANTICS_FIXED_IGNORE_CC</b></p> <p>If this logical is defined to TRUE, then GET operations of fixed lengths record files will not have a &lt;CR&gt;(carriage return)&lt;LF&gt;(line feed) added to the end of each record. The ? in the logical represents where defined values go. Defined values can be either alpha or numeric.</p> <pre>\$ DEFINE TCPWARE FTP SEMANTICS_FIXED_IGNORE_CC ?</pre>
<p><b>TCPWARE FTP SERVER_LOG_LIMIT</b></p> <p>By setting this logical in the LOGIN.COM file, you can specify that log files be retained. Set the logical name to a dash (-) to retain all log files, or specify a number in the range of 1 to 32000.</p> <p>Directory size restrictions limit the number of potential files that can actually be created. If you do not specify a number or value, one log file is created or overwritten for each FTP session. Use the DCL PURGE command to delete unneeded log files. The following example specifies that 42 log files be retained:</p> <pre>\$ DEFINE TCPWARE FTP SERVER_LOG_LIMIT 42</pre>
<p><b>TCPWARE FTP STRIP_VERSION</b></p> <p>Causes VMS mode output to have no versions. The ? in the logical represents where defined values go. Defined values can be either alpha or numeric.</p> <pre>\$ DEFINE /NOLOG TCPWARE FTP STRIP_VERSION ?</pre>
<p><b>TCPWARE FTP USE_SRI_ENCODING_ON_ODS5</b></p> <p>The logical TCPWARE FTP USE_SRI_ENCODING_ON_ODS5 can be defined to 1, TRUE or YES to cause the file name encoding used for UNIX-style file names on ODS-2 disks to be used on ODS-5 disks. This also sets the default case of letters in filenames to lowercase and ignores the stored case.</p>

**Table 3-6 TCPware FTP Logicals for Users**

<p><b>TCPWARE_FTP_UNIX_STYLE_BY_DEFAULT</b></p> <p>If you define this logical, the FTP server starts in UNIX emulation mode.</p> <p>The ? in the logical represents where defined values go. Defined values can be either alpha or numeric.</p> <pre>\$ DEFINE /NOLOG TCPWARE_FTP_UNIX_STYLE_BY_DEFAULT ?</pre> <p>When sending the command from a non-OpenVMS client, a space is required between the file specification and the qualifier. For example:</p> <pre>\$ GET filename /LOG</pre> <p>Previous command syntax: ftp&gt;put xx x.x/image=2048 New command syntax: ftp&gt;put x.x "x.x/image=2048"</p> <p>You can disable this feature so that the FTP server can accept an OpenVMS transfer mode qualifier without including the space between the file specification and the qualifier. To disable this requirement, define the logical:</p> <pre>\$ DEFINE TCPWARE_FTPD_NOUNIX_SYNTAX "TRUE"</pre>
<p><b>TCPWARE_FTP_UNIX_STYLE_CASE_INSENSITIVE</b></p> <p>Allows UNIX style filename handling to be case insensitive. The ? in the logical represents where defined values go. Defined values can be either alpha or numeric.</p> <pre>\$ DEFINE /NOLOG TCPWARE_FTP_UNIX_STYLE_CASE_INSENSITIVE ?</pre>
<p><b>TCPWARE_FTPD_NOUNIX_SYNTAX</b></p> <p>When sending a command to a non-OpenVMS client, a space is required between the file specification and the qualifier. For example:</p> <pre>FTP&gt; GET filename /LOG</pre> <p>Previous command syntax: ftp&gt;put xx x.x/image=2048 New command syntax: ftp&gt;put x.x "x.x/image=2048"</p> <p>You can disable this feature so that the FTP server can accept an OpenVMS transfer mode qualifier without including the space between the file specification and the qualifier. To disable this requirement, define the following logical:</p> <pre>\$ DEFINE /SYSTEM /EXECUTIVE_MODE TCPWARE_FTPD_NOUNIX_SYNTAX "TRUE"</pre>

## Troubleshooting

Access error messages help by entering `HELP TCPWARE MESSAGES [identifier]`, or connect to web site <http://www.process.com> (select **Customer Support** followed by the **Error Messages** button).



## **ACCOUNT**

Specifies the user's account if the remote server requires it.

### **Format**

**ACCOUNT** *account*

### **Parameter**

**account**

User's account. Enclose in quotes if it contains special characters or embedded spaces, or contains mixed-case characters.

### **Example**

The following specifies account Smith on the remote system. Use quotes around the mixed-case account name.

```
FTP> ACCOUNT "Smith"
```

## **CCC**

Change the control port to clear text after performing RFC 4217 encrypted authentication. Clear text may be desired for the control port when NAT or firewalls are being used that expect to examine and/or alter commands and responses dealing with the data port. (PORT, PASV, EPRT, EPSV and the respective replies.) The PROTECTION command should be used before the CCC command as it is not allowed after the command channel has returned to clear text mode.

### **Format**

CCC

### **Example**

The following closes the current connection:

```
FTP> CCC
```

## **CLOSE**

Closes the connection to the remote FTP server if one is open and keeps you in FTP.

OPEN and CONNECT also close an existing connection before opening another one.

Graphical User Interface Equivalent

`TCPware FTP-OpenVMS File Transfers⇒Connection⇒Close`

or `Open`

### **Format**

`CLOSE`

### **Synonym**

`DISCONNECT`

### **Example**

The following closes the current connection:

```
FTP> CLOSE
```

## COPY

Copies files to or from a remote host. You specify whether the source or destination file is local or remote using the /LOCAL or /REMOTE qualifier. COPY supports full wildcard filespecs except wildcard symbols enclosed in a quoted string. Use the /MULTIPLE qualifier for a wildcard remote source filespec. /REMOTE also supports use of asterisk (\*) wildcards after a semicolon (;) in remote file specifications. This creates the same version in the destination file as in the source file (instead of creating a new version). If the server is not OpenVMS, the version number is part of the filename. TCPware does not issue a warning if the server host already has a higher numbered version.

### Graphical User Interface Equivalent

**TCPware FTP-OpenVMS File Transfers** ⇒ Select file(s) in **Local Files** for local-to-remote copy, or select file(s) in **Remote Files** for remote-to-local copy ⇒ **Copy** - -> for a local-to-remote copy, or < - - **Copy** for a remote-to-local copy. Give file new name, if desired, in **New Local Name** or **New Remote File/Dir Name**

### Format

**COPY** *source* [*source*,...] *destination*

### Equivalents

**GET**= COPY *source* /REMOTE *destination*

**RECV**= COPY *source* /REMOTE *destination*

**MGET**= COPY *source* /REMOTE /MULTIPLE *destination*

**PUT**= COPY *source* /LOCAL *destination*

**SEND**= COPY *source* /LOCAL *destination*

**MPUT**= COPY *source* /LOCAL /MULTIPLE *destination*

### Parameters

#### source

Input filespec. Use a comma between multiple filespecs. Enclose the filespec in quotes if you want to preserve case and did not use the SET NOLOWERCASE command. The format is:

**node**"username password"::path

node	hostname or DECnet node name (with OpenVMS Alpha V6.1 and later, and all OpenVMS I64 systems, the hostname can be a domain name or IP address)
username	valid account on the host
password	password (PASSCODE if using Token Authentication) for the account

path	location and name of the file
------	-------------------------------

You can omit the node `"username password": :` part of the specification unless it is for a DECnet file. If omitted, Client-FTP uses the current default directory. You can use the `node::path` syntax (omitting the username and password) if you want access to anonymous FTP resources. In this case, FTP-OpenVMS implicitly adds the `/ANONYMOUS` qualifier.

Use the `/LOCAL` or `/REMOTE` qualifier after the parameter, depending on the context. The local filespec must conform to OpenVMS filenaming rules. The remote filespec must conform to the filenaming conventions of the remote host.

Enclose the *pathname* in quotes if it contains delimiters or symbols the FTP server could possibly misinterpret. For example, the following remote filespec is enclosed in quotes because it includes slashes (/) that OpenVMS normally interprets as qualifier delimiters:

```
ALPHA"smithabcd": : "/usr/bin/proj1.txt"
```

### *destination*

Output filespec. Enclose the filespec in quotes if you want to preserve case and did not use the `SET NOLOWERCASE` command. If wildcarded (\*), Client-FTP uses the source filename or extension, unless the filespec is a quoted string. See the source parameter for the destination filespec format.

To obtain the same version number in the destination file as in the source file (instead of creating a newer one), wildcard the destination file version using `;`\*. Note that if the server is not an OpenVMS host, the version number is included in the filename. You do not get a warning if the server host already has a higher numbered version. Also, if the server host already has the version specified, the old file with that version is overwritten.

## Transfer Qualifiers (Positional)

### **/LOCAL**

The preceding file is on the local host. If `/LOCAL` follows source, `/REMOTE` is implicit for *destination*. If `/LOCAL` is omitted, Client-FTP searches for a node; if found, Client-FTP assumes the file is remote. Do not use for both source and *destination*.

### **/REMOTE**

The preceding file is on the remote host. If `/REMOTE` follows *source*, `/LOCAL` is implicit for *destination*. If `/REMOTE` is omitted, Client-FTP searches for a *node*; if found, Client-FTP assumes the file is remote. Do not use for both *source* and *destination*. (See the destination parameter on how to preserve version numbers on a remote copy.)

### **/MULTIPLE**

Transfers multiple files. Use after *source* only. Include wildcards in *source* only because some remote hosts do not recognize the OpenVMS asterisk and percent characters as wildcards. The remote host's server must support the FTP NLST command. Not all servers support VMS files. If the server does and you do not specify another mode (using a qualifier or the `STRUCTURE` or `SET`

DEFAULT commands), /VMS is the default.

## File Type Qualifiers (Positional)

If you omit one of the file type qualifiers, Client-FTP transfers the file based on either:

- The current default setting; for example, ASCII or IMAGE.
- The extension (type) of the file you want to copy (see Table 3-2).

Setting a file type qualifier overrides the default transfer format for this transaction only. (See also the SET DEFAULT command.)

### **/ASCII**

Transfers the preceding file in formatted ASCII format (see Table 3-2).

### **/BINARY**

Transfers the preceding .BIN, .LDA, .OBJ, or .STB file in formatted binary format.

### **/BLOCK**

Transfers the preceding STREAM, STREAM\_CR, STREAM\_LF, or UNDEFINED file in block mode (see Table 3-2).

### **/FORTRAN**

Transfers the preceding file in FORTRAN mode. The first character of each record is a FORTRAN carriage control character. Some hosts do not recognize this transfer format.

### **/IMAGE***[=size]*

Transfers the preceding file in image mode. Optional *size* sets the record size of the local output file (see Table 3-2). Does not apply to remote output files. The maximum size for this qualifier is 32768.

### **/RECORD**

Transfers the preceding file using STRU R so as to communicate the record structure during the copy. Not all servers support record structure mode. If you specify both /RECORD and /VMS, Client-FTP uses /VMS.

### **/VARIABLE**

Transfers an image file (see /IMAGE) in variable length record mode. At the destination site, all /IMAGE records have a fixed length. Applies to local output image files only. This qualifier has meaning only if the /IMAGE qualifier is present.

### **/VMS**

Transfers the preceding file in VMS file mode (see Table 3-2). Allows you to transfer any type of RMS file between OpenVMS systems. If you use /VMS, Client-FTP ignores /APPEND, /ASCII, /BINARY, /BLOCK, /FORTRAN, /IMAGE, and /VARIABLE. If you specify both /RECORD and /VMS, Client-FTP uses /VMS.

## Other Qualifiers (Non-positional)

**/ANONYMOUS**

**/NOANONYMOUS**

Enables (/ANONYMOUS) or denies (/NOANONYMOUS) anonymous user access to remote resources. You can omit /ANONYMOUS if you use the node file syntax (*node: :pathname*). (See *Anonymous Users*.)

**/APPEND**

Appends the *source* file to the *destination* file. If the *destination* file does not exist, Client-FTP creates it. Only valid if appending to a file with the same file transfer type. Some remote hosts might not support this operation.

**/CONFIRM**

**/NOCONFIRM** (default)

/CONFIRM issues a confirmation prompt before copying a file. Useful when *source* contains wildcards so that you can confirm each file copy. Respond with **Y** or **N**. /NOCONFIRM is the default.

If confirming multiple file copying, use with COPY/MULTIPLE with a wildcard value. Position the qualifier immediately after the COPY verb to relate to all files, or after the particular filename to relate to that file only.

**/CONTIGUOUS=*blocks***

Local output file should have an initial contiguous allocation of the specified number of *blocks*. If the output file is smaller than the specified *blocks*, Client-FTP truncates the allocation. If the output file is larger, the additional allocations are non-contiguous. Does not apply to remote output files.

**/FDL**

Uses and then deletes a separate FDL file describing the specified file's OpenVMS RMS record attributes. This qualifier is useful after a PUT /FDL operation from a VMS node transfers a file to a non-VMS node: the GET /FDL operation can then return the file with the proper record attributes back from the non-VMS node. The default is not to create an accompanying FDL file. The TYPE command determines the type of file. A transfer of:

- ASCII data results in a sequential file with variable length records (the default).
- IMAGE data results in a sequential file with fixed length records of 512 bytes.

**/IGNORE**

**/NOIGNORE** (default)

/IGNORE ignores errors so that copying can continue with the next file. /NOIGNORE terminates copying if an error occurs.

**/LOG**

**/NOLOG** (default)

/LOG displays file specifications for each file transferred. /NOLOG does not display the transferred file's specifications.

**/RESTART**

For STREAM mode transfers restart the transfer where it was interrupted. The client verifies that the server supports the RFC 3659 SIZE and REST commands, and ignores the qualifier if it does not.

This does NOT work for VMS mode transfers (STRU VMS), and if the remote system is a VMS system it is recommended that a STRU FILE be done before the transfer command and to include /NOVMS on the command line.

**/SET\_FACTS**

Set selected file facts on the destination file to match the source file after transfer. The facts currently supported are:

- MODIFICATION\_\_TIME

**Examples**

- 1 Each of these commands copies the STUFF.TXT file from the local host to remote host SYS1 (the receiving system stores the file under the same filename in user SMITH's directory):

```
FTP> COPY STUFF.TXT SYS1"SMITH SECRET"::  
FTP> PUT STUFF.TXT SYS1"SMITH SECRET"::
```

- 2 Each of these commands copies the DATA1.TXT and DATA2.TXT files from the remote host to the local host, assuming that a connection to the remote host is currently open:

```
FTP> COPY DATA1.TXT,DATA2.TXT /REMOTE *  
FTP> GET DATA1.TXT,DATA2.TXT
```

- 3 Each of the following commands copies all .BAS files from a remote OpenVMS host to the local host. The /MULTIPLE qualifier and the asterisk wildcard are used in the COPY command, and they are omitted in the equivalent MGET command.

```
FTP> COPY *.BAS/REMOTE/MULTIPLE *  
FTP> MGET *.BAS
```

- 4 The issuer of the following command wants to copy all local .SQL type files into multiple files in the remote UNIX system's directory.

```
FTP> COPY *.SQL/LOCAL/MULTIPLE "/usr/users/sql/*"
```

To accomplish this, the issuer uses an asterisk wildcard in the output filespec, as in Example 3. However, the result is not as intended. Because the asterisk is part of a quoted string, the command actually copies the files into a single file literally named \* on the remote host.

To avoid this, set the remote default directory to the full pathname. You do not have to specify the quoted pathname in the COPY command:

```
FTP> SET DEFAULT/REMOTE "/usr/users/sql"  
FTP> COPY *.SQL/LOCAL/MULTIPLE *
```

The asterisk now acts as a true wildcard, with the intended result.



## CREATE/DIRECTORY

Creates a directory on the remote host. The /DIRECTORY qualifier is required as part of the command. Some remote hosts might not support directory creation operations.

### Graphical User Interface Equivalent

```
TCPware FTP-OpenVMS File Transfers=> Enter new directory name in
New Remote File/Dir Name=>Make Dir>
```

### Format

**CREATE/DIRECTORY** *remote-directory*

### Synonym

**MKDIR**

### Parameter

**remote-directory**

Directory to create on the remote host, in the format:

```
[node"username password"::]directory
```

To open a connection first, use the *node"username password"::* part of the format. This syntax is optional. If you omit the parameter and a connection is already open, Client-FTP uses the current default directory. The *directory* part of the format is any valid remote directory specification.

Enclose the specification in quotes if it contains special characters or embedded spaces, or is case-sensitive.

Use the *node::directory* syntax to create an anonymous user directory. The /ANONYMOUS qualifier is implicit.

### Qualifier

**/ANONYMOUS**

**/NOANONYMOUS**

Enables (/ANONYMOUS) or denies (/NOANONYMOUS) creation of anonymous user directories. You can omit /ANONYMOUS if using the node file syntax (*node::pathname*). (See *Anonymous Users*.)

### Examples

- 1 These commands are equivalent and create a directory USERS on the remote OpenVMS host SYS1, with the username and password specified explicitly:

```
FTP> CREATE/DIRECTORY SYS1"SMITH SECRET"::[USERS]
FTP> mkdir sys1"smith secret"::[users]
```

- 2 All three of the following commands create a directory USERS in the anonymous directory on the remote OpenVMS host SYS2.

```
FTP> CREATE/DIRECTORY SYS2::[USERS]
FTP> mkdir sys2::[users]
FTP> mkdir sys2::[users] /anonymous
```

The commands are equivalent to:

```
FTP> CREATE/DIRECTORY SYS2"ANONYMOUS user-email-address"::[USERS]
```

## DEFINE/KEY

Associates an equivalence string and a set of attributes with a key on the terminal keyboard.

### Format

DEFINE/KEY *key-name* ["*equivalence-string*"]

### Parameters

*key-name*

Name of the key to define. Table 3-7 lists key designations for three terminal types:

- On LK201 terminals, you can define three types of keys: numeric keypad, editing keypad (except the up and down arrow keys), and function key row (except F1 through F5).
- On VT100-type terminals, you can also define the left arrow and right arrow keys. On VT200 terminals, the left arrow and right arrow keys, and the F6 through F14 keys, are for command line editing. Issue the DCL command SET TERMINAL/ NOLINE\_EDITING to define these keys before you run Client-FTP. You can also press Ctrl/V to enable keys F7 through F14 (but not F6).
- On VT52 terminals, the only definable keys are on the numeric keypad.

**Table 3-7 Key Designations for Three Terminal Types**

Key Name	LK201	VT100-type	VT52
PF1	PF1	PF1	[blue]
PF2	PF2	PF2	[red]
PF3	PF3	PF3	[gray]
PF4	PF4	PF4	
KP0,...,KP9	0,...,9	0,...9	0,...9
PERIOD	.	.	.
COMMA	,	,	,
MINUS	-	-	-
ENTER	ENTER	ENTER	ENTER
LEFT	<	<	<
RIGHT	□	□	□
Find (E1)	Find		
Insert Here (E2)	Insert_Here		

**Table 3-7 Key Designations for Three Terminal Types (Continued)**

Key Name	LK201	VT100-type	VT52
Remove (E3)	Remove		
Select (E4)	Select		
Prev Screen (E5)	Prev_Screen		
Next Screen (E6)	Next_Screen		
HELP	Help		
DO	Do		
F6,...,F20	F6,...,F20		

**equivalence-string**

String to substitute when you press the key. If the string contains spaces, enclose it in quotes.

**Qualifiers****/ECHO****/NOECHO** (default)

/ECHO displays the equivalence string on your screen after you press the key. /NOECHO is the default. Do not use /NOECHO with /NOTERMINATE.

**/IF\_STATE=(state-name,...)****/NOIF\_STATE** (default)

/IF\_STATE specifies a list of one or more *state-names* (an alphanumeric string) for the key definition to be in effect. If you specify only one *state-name*, you can omit the parentheses. By including several *state-names*, you can define a key to have the same function in all the specified states. /NOIF\_STATE is the default, where Client-FTP uses the current state.

Establish states using /SET\_STATE.

**/LOCK\_STATE****/NOLOCK\_STATE** (default)

/LOCK\_STATE specifies that the state set by /SET\_STATE remains in effect until explicitly changed. /NOLOCK\_STATE is the default, meaning the state which has been set in effect by /SET\_STATE is in effect only for the next definable key you press or the next read-terminating character you type.

You can specify /LOCK\_STATE only on the same command line as /SET\_STATE.

**/SET\_STATE=state-name**

**/NOSET\_STATE** (default)

**/SET\_STATE** specifies the *state-name* (an alphanumeric string) you want set for the key. The default is **/NOSET\_STATE**, where the current state locked by **/LOCK\_STATE** is in effect.

**/TERMINATE**

**/NOTERMINATE** (default)

**/TERMINATE** specifies that Client-FTP terminates (effectively executes) the current equivalence string when someone presses the defined key. **/NOTERMINATE** allows you to create key definitions that insert text into command lines, after prompts, or into other typed text.

## Example

The following sets the F1 key on the keyboard to the ""SMITH SECRET"::[USERS]" string, sets the state to 1, and locks the state for that definition:

```
FTP> DEFINE/KEY F1 ""SMITH SECRET"::[USERS]" /SET=1 /LOCK
```

## DELETE

Deletes files or directories on the remote host.

Some remote hosts might not support file or directory deletion operations.

### Graphical User Interface Equivalent

TCPware FTP-OpenVMS File Transfers⇒ Select file (or files) in **Remote Files** or directory (or directories) in **Remote Directories**⇒Delete-> for files or **Del Dir**> for directories.

The remote file listing displays version numbers of files. Only the highest-numbered version appears in the list. Use **Refresh**> to refresh the remote listing display.

### Format

**DELETE** *file[file,...]*

### Synonyms

**RMDIR** *dir[,dir,...]* = DELETE /DIRECTORY

**MDELETE** *file[,file,...]* = DELETE /MULTIPLE

**CAUTION!** The DIRECTORY command does not list hidden files (files that start with a period). Using any wildcards with the MDELETE command deletes hidden files, which you might need.

### Parameters

**file**

**dir**

Remote files or directories to delete. If used with the /DIRECTORY qualifier, you can indicate the remote directory in the format:

```
[node"username password"::] directory
```

To open a connection first, use the `node"username password"::` part of the format. This syntax is optional. If you omit the parameter and a connection is already open, Client-FTP uses the current default directory. The *directory* part of the format is any valid remote directory specification.

Enclose the specification in quotes if it contains special characters or embedded spaces, or is case-sensitive.

Use the `node::directory` syntax for access to an anonymous user directory. The /ANONYMOUS qualifier is implicit.

When deleting files, *file* can contain wildcards. See the /MULTIPLE qualifier.

## Qualifiers

**/ANONYMOUS**

**/NOANONYMOUS**

Enables (/ANONYMOUS) or denies (/NOANONYMOUS) deletion of anonymous files or directories. You can omit /ANONYMOUS if using the node file syntax (*node: :path*). (See *Anonymous Users*.)

**Note!** SET DEFAULT can change the defaults indicated for the following qualifiers.

**/CONFIRM**

**/NOCONFIRM** (default)

/CONFIRM issues a confirmation prompt before deleting a file. Useful when source contains wildcards so that you can confirm each file copy. Respond with **Y** or **N**. /NOCONFIRM is the default.

If confirming multiple file deletions, use with MDELETE or DELETE/MULTIPLE with a wildcard value. Position the qualifier immediately after the DELETE verb to relate to all files, or after the particular filename to relate to that file only.

**/DIRECTORY**

Deletes a directory (equivalent to **RMDIR**). If omitted, Client-FTP deletes a file. Do not use with /MULTIPLE.

**/IGNORE**

**/NOIGNORE** (default)

/IGNORE ignores errors so that deletion can continue with the next file when using /MULTIPLE. /NOIGNORE terminates the deletion operation if an error occurs.

**/LOG**

**/NOLOG** (default)

/LOG displays file specifications for each file deleted.

**/MULTIPLE**

Deletes multiple files (equivalent to **MDELETE**). You must include wildcards in the filespec. /MULTIPLE is necessary because other systems do not universally recognize the OpenVMS asterisk and percent characters as wildcards. (You do not need this qualifier with multiple deletes between OpenVMS systems.) The remote host's FTP server must support the FTP NLST command for remote wildcard operations to work. Do not use with /DIRECTORY.

## Examples

1 The following deletes the `proj1` file from the UNIX `/usr/src/directory`:

```
FTP> DELETE "/usr/src/proj1"
```

- 2 The following deletes all files with the .TMP extension in the remote default directory. You do not need /MULTIPLE when doing this delete operation between OpenVMS systems. If several versions of any \*.TMP file exist, it deletes only the latest version.

```
FTP> DELETE *.TMP/MULTIPLE
```

- 3 The following deletes all files with the FOO filename in the remote default directory. You do not need /MULTIPLE when doing this delete operation between OpenVMS systems. If several versions of any FOO.\* file exist, it deletes only the latest version.

```
FTP> DELETE FOO.*/MULTIPLE
```

- 4 The following deletes all files and file versions with the FOO filename in the remote default directory. For example, this command deletes FOO.EXE;1, FOO.EXE;2, FOO.C;1, FOO.C;2, and FOO.TXT;1. You do not need /MULTIPLE when doing this delete operation between OpenVMS systems.

```
FTP> DELETE FOO.*;*/MULTIPLE
```



## DIRECTORY

Lists files on the remote host. If the remote host is a TCPware host, also lists the creation date and file type.

See LDIR to list files on the local host.

### Graphical User Interface Equivalent

TCPware FTP-OpenVMS File Transfers⇒Enter directory path in Current Remote Directory⇒Refresh>

### Format

**DIRECTORY** [*directory*]

### Synonym

**LS** [*directory*]= **DIRECTORY** {/BRIEF | /NAME\_LIST}

### Parameter

**directory**

Directory to list on the remote host, in the format:

`[node"username password"::] directory`

To open a connection, use the `node"username password"::` part of the format. This syntax is optional. If you omit the parameter and a connection is open, Client-FTP uses the current default directory. The *directory* part of the format is any valid remote directory specification. Enclose the specification in quotes if it contains special characters or embedded spaces, or is case-sensitive.

Use the `node: : directory` syntax for access to an anonymous user directory. The /ANONYMOUS qualifier is implicit.

### Qualifiers

**/ANONYMOUS**

**/NOANONYMOUS**

Enables (/ANONYMOUS) or denies (/NOANONYMOUS) anonymous user access to remote resources. You can omit /ANONYMOUS if using the directory syntax `node: : directory`. (See *Anonymous Users*.)

**/BRIEF**

**/NAME\_LIST**

Returns a list of filenames instead of a normal directory listing (equivalent to **LS**). Uses the FTP NLST command. /BRIEF and /NAME\_LIST are synonyms.

***/OUTPUT=file***

Filespec for a local file to receive the directory listing. If omitted, the directory is displayed on your terminal.

## **Examples**

- 1 The following returns a listing for the remote /usr/src/ UNIX directory, assuming that a connection to the remote host is open:

```
FTP> DIRECTORY "/usr/src/"
```

- 2 The following returns a listing for the remote SYSS\$SYSTEM directory, assuming that a connection to the remote host is open:

```
FTP> DIRECTORY SYSS$SYSTEM:
```

## DISPLAY

Displays a remote file on the screen.

Equivalent to the GET (or COPY /REMOTE) command with SYSS\$OUTPUT as the local file specification.

If a VMS Plus mode transfer is requested, DISPLAY temporarily cancels VMS Plus mode, transfers the file(s), and resets VMS Plus mode again.

Note that displaying a non-ASCII file might produce unrecognizable output, as would be the case with the DCL TYPE command.

### Format

**DISPLAY** *remote-file[,remote-file,...]*

### Equivalentents

**COPY** *remote-file[,remote-file,...]* /REMOTE [/MULTIPLE] SYSS\$OUTPUT  
**[M]GET** *remote-file[,remote-file,...]* SYSS\$OUTPUT

### Parameters

#### **remote-file**

Input filespec on the remote host. Enclose in quotes if you want to preserve case and did not use the SET NOLOWERCASE command, or the filespec contains delimiters or symbols the FTP server can interpret in special ways. Use a comma between multiple filespecs. The remote filespec must conform to the filenaming conventions of the remote host.

### Examples

The following shows formats of acceptable equivalent commands that implement the DISPLAY function:

```
FTP> DISPLAY TEXT.TXT
FTP> GET TEXT.TXT SYSS$OUTPUT
FTP> MGET TEXT.TXT, TEXT2.TXT SYSS$OUTPUT
FTP> COPY TEXT.TXT /REMOTE SYSS$OUTPUT
FTP> COPY TEXT.* /REMOTE /MULTIPLE SYSS$OUTPUT
FTP> COPY NODE"USER PASSWORD":.TEXT.TXT SYSS$OUTPUT
```

## **ENABLE [/DISABLE] VMS\_PLUS**

Turns VMS Plus Mode on or off. This lets you specify a transfer mode based on file type, for example, ASCII or image.

In VMS Plus mode, file transfers use File Descriptor Language (FDL) information to create output files.

### **Format**

**ENABLE VMS\_PLUS**

**DISABLE VMS\_PLUS**

## ERROR\_EXIT

Exits FTP with a specified status if an error occurs in the previous FTP command. This feature is useful when running FTP from a command procedure.

Note that you exit FTP-OpenVMS if you try to use this command interactively.

### Format

**ERROR\_EXIT** [*status*]

### Parameter

#### **status**

Optional status value the DCL \$STATUS symbol returns if FTP exits. Specifies which command (or sequence of commands) failed. If omitted, Client-FTP uses the status value of the last error.

**Note!** Client-FTP reports the \$STATUS as the status value ORd with %X10000000.

### Example

The following example is part of a DCL command procedure:

```
.
$ SET NOON
$ FTP
OPEN LILAC SMITH PASSWORD
ERROR_EXIT %X10000010
PUT DATA_FILE1.TXT
ERROR_EXIT %X10000020
PUT DATA_FILE1.IMG
ERROR_EXIT %X10000030
PUT DATA_FILE1.DES
ERROR_EXIT %X10000040
EXIT
$ FTP_EXIT_STATUS = $STATUS
$ SET ON
$ IF (FTP_EXIT_STATUS .EQ. %X10000010) THEN GOTO LOGIN_FAILED
$ IF (FTP_EXIT_STATUS .EQ. %X10000020) THEN GOTO TRANSFER_1_FAILED
.
.
```

This command procedure transfers several files and uses ERROR\_EXIT to detect if any of the transfers fail. FTP\_EXIT\_STATUS returns the following values:

- %X10000010 if the connection or login to LILAC fails
- %X10000020 if FTP cannot transfer DATA\_FILE1.TXT
- and so on
- 1 if the connection is successful

## **EXIT**

Exits FTP and returns to the DCL prompt.

If a connection is open, Client-FTP closes it before exiting.

### **Graphical User Interface Equivalent**

TCPware FTP-OpenVMS File Transfers⇒File⇒Exit

### **Format**

**EXIT**

### **Synonyms**

**QUIT**

**BYE**

## GET

Copies files from a remote host.

GET supports full wildcard filespecs except wildcards enclosed in a quoted string. Use the /MULTIPLE qualifier for a wildcarded remote filespec.

### Graphical User Interface Equivalent

TCPware FTP-OpenVMS File Transfers ⇒ Select file (or files) in **Remote Files**  
 Remote Files ⇒ <--Copy. Give file new name, if desired, in **New Local Name**

### Format

GET *remote-file[,remote-file,...]* [*local-filename*]

### Equivalents

COPY *remote-file* /REMOTE *local-filename*

MGET *wildcarded-remote-files* = GET *remote-file* /MULTIPLE

RECV *remote-file[,remote-file,...]* [*local-filename*]

### Parameters

#### remote-file

Input filespec on the remote host. Enclose in quotes if you want to preserve case and did not use the SET NOLOWERCASE command, or the filespec contains delimiters or symbols the FTP server can interpret in special ways. Use a comma between multiple filespecs.

The remote filespec must conform to the filenaming conventions of the remote host. In OpenVMS-to-OpenVMS file transfers, the *remote-file* and *local-filename* formats are the same. (See the *local-filename* parameter).

#### wildcarded-remote-files

Input filespec on the remote host in wildcarded format. Wildcards include the % or ? symbol to indicate individual characters, and the \* symbol to indicate multiple characters. Examples of wildcarded filespecs are \*.txt , W?????.\*, and \*.\*;\*.

#### local-filename

Output filespec on the local host. If omitted, Client-FTP uses the *remote-file* filename (and extension if it exists), unless *remote-file* is a quoted string. If used, must conform to the OpenVMS filenaming format:

*node*"*username password*":*path*

node	hostname or DECnet node name (with OpenVMS Alpha V6.1 and later, and all OpenVMS I64 systems, the host name can be a domain name or IP address)
------	---

username	valid account on the host
password	password (PASSCODE if using Token Authentication) for the account
path	location and name of the file

You can omit the node `"username password"`: part of the specification unless it is for a DECnet file. If omitted, Client-FTP uses the current default directory.

You can use the `node::path` syntax (omitting the username and password) if you want access to anonymous FTP resources, in which case the `/ANONYMOUS` qualifier is implied.

## Qualifiers

If you omit one of the file type qualifiers (`/ASCII`, `/BINARY`, `/FORTRAN`, `/IMAGE`, `/VMS`), Client-FTP transfers the file based on either:

- The current default setting; for example, ASCII or IMAGE.
- The extension (type) of the file you want copied (see Table 3-2).

Setting a file type qualifier overrides the default transfer format for this transaction only. See also the `SET DEFAULT` command.

### **/ANONYMOUS**

### **/NOANONYMOUS**

Enables (`/ANONYMOUS`) or denies (`/NOANONYMOUS`) anonymous user access to remote resources. You can omit `/ANONYMOUS` if using the node file syntax (`node::path`). (See *Anonymous Users*.)

### **/APPEND**

Appends the *remote-file* file to the *local-filename*. If the *local-filename* does not exist, Client-FTP creates it. Some remote hosts do not support this operation. **NOTE:** If the operation fails, try appending in binary mode by using the `/BINARY` qualifier.

### **/ASCII**

Transfers the file in formatted ASCII format (see Table 3-2).

### **/BINARY**

Transfers `.BIN`, `.LDA`, `.OBJ`, and `.STB` files in formatted binary format (see Table 3-2).

### **/BLOCK**

Transfers `STREAM`, `STREAM_CR`, `STREAM_LF`, and `UNDEFINED` files in block mode (see Table 3-2).

### **/CONFIRM**

### **/NOCONFIRM** (default)

`/CONFIRM` issues a confirmation prompt before getting a file. Useful when source contains wildcards so that you can confirm each file copy. Respond with **Y** or **N**. `/NOCONFIRM` is the



default.

If confirming multiple file gets, use with MGET or GET/MULTIPLE with a wildcard value. Position the qualifier immediately after the GET verb to relate to all files, or after the particular filename to relate to that file only.

**/CONTIGUOUS=blocks**

Local output file should have an initial contiguous allocation of the specified number of *blocks*. If the output file is smaller than the specified *blocks*, Client-FTP truncates the number of blocks allocated. If the output file is larger, the additional allocations are non-contiguous. Does not apply to remote output files.

**/FDL**

Uses and then deletes a separate FDL file describing the specified file's OpenVMS RMS record attributes. This qualifier is useful after a PUT /FDL operation from a VMS node transfers a file to a non-VMS node: the GET /FDL operation can then return the file with the proper record attributes back from the non-VMS node. The default is not to create an accompanying FDL file. The TYPE command determines the type of file. A transfer of:

- ASCII data results in a sequential file with variable length records (the default).
- IMAGE data results in a sequential file with fixed length records of 512 bytes.

**/FORTRAN**

Transfers the file in FORTRAN mode (see Table 3-2). The first character of each record is a FORTRAN carriage control character. Some hosts do not recognize this transfer format.

**/IGNORE**

**/NOIGNORE** (default)

/IGNORE ignores errors so that copying can continue with the next file. /NOIGNORE terminates copying if an error occurs.

**/IMAGE[/=size/]**

Transfers the file in image mode. Optional size sets the record size of the local output file (see Table 3-2). Does not apply to remote output files.

**/LOG**

**/NOLOG** (default)

/LOG displays file specifications for each file transferred.

**/MULTIPLE**

Transfers multiple files (equivalent to MGET). Use after *remote-file* only and include wildcards in *remote-file*. Necessary because some remote hosts do not recognize the OpenVMS asterisk, percent, or question mark characters as wildcards. /MULTIPLE ensures that the remote host understands more than one file is to be transferred. The remote host's server must support the FTP NLST command for remote wildcard operations to work.

**/RECORD**

Transfers the preceding file using STRU R so as to communicate the record structure during the copy. A positional qualifier. Not all servers support record structure mode. If you specify both /RECORD and /VMS, Client-FTP uses /VMS.

**/RESTART**

For STREAM mode transfers restart the transfer where it was interrupted. The client verifies that the server supports the RFC 3659 SIZE and REST commands, and ignores the qualifier if it does not.

This does NOT work for VMS mode transfers (STRU VMS), and if the remote system is a VMS system it is recommended that a STRU FILE be done before the transfer command and to include /NOVMS on the command line.

**/SET\_FACTS**

Set selected file facts on the destination file to match the source file after transfer. The facts currently supported are:

MODIFICATION\_\_TIME

**/VARIABLE**

Transfers an image file (see /IMAGE) in variable length record mode. All /IMAGE records are fixed length when stored at the destination. Applies to local output image files only.

**/VMS**

Transfers the file in VMS file mode (see Table 3-2). Allows you to transfer any type of RMS file between OpenVMS systems. A positional qualifier. If you use /VMS, Client-FTP ignores /APPEND, /ASCII, /BINARY, /BLOCK, /FORTRAN, /IMAGE, and /VARIABLE. If you specify both /RECORD and /VMS, Client-FTP uses /VMS.

Not all servers support VMS files. If the server does and you do not specify another mode (using a qualifier or the STRUCTURE or SET DEFAULT commands), /VMS is the default.

**Examples**

- 1 The following copies the DATA1.TXT and DATA2.TXT files from the remote host to the local system, assuming that a connection to the remote host is currently open:

```
FTP> GET DATA1.TXT,DATA2.TXT
```

- 2 The following copies all remote files with extension .BAS from a remote OpenVMS host to the local host:

```
FTP> MGET *.BAS
```

- 3 The following copies the STUFF.TXT file from DELTA's anonymous directory. It is equivalent to having used /ANONYMOUS. Sends the "ANONYMOUS user-email-address" username and password with the command.

```
FTP> RECV DELTA::STUFF.TXT
```

## HELP

Accesses the Client-FTP online help.

Client-FTP help uses the OpenVMS interactive help facility.

To exit the help facility, press **Return** until you return to the **FTP>** prompt.

See the REMOTEHELP command, or the /REMOTE qualifier, for access to the remote server's online help.

### Format

**HELP [/REMOTE] [topic]**

### Synonyms and Equivalents

**H**

**REMOTEHELP [topic] = HELP /REMOTE [topic]**

**HELP /REMOTE SITE = REMOTEHELP SITE = SITE HELP = QUOTE HELP SITE**

### Parameter

**topic**

Optional; allows you to specify the topic, if known, for which you want help. Otherwise HELP offers you a list of topics from which to choose.

### Qualifier

**/REMOTE**

Equivalent to the REMOTEHELP command: it accesses the remote FTP server's online help instead of the local Client-FTP online help.

Position the qualifier directly after the HELP command. If positioned after the *topic*, you could get incorrect help or an error. For example, if you specify HELP LDIR /REMOTE, you get on-line help for "LDIR /REMOTE," which does not exist.

## **LDAP**

Lists files in your local directory along with their creation date and size.

See DIRECTORY to list files on the remote host.

See SET DEFAULT /LOCAL to set the default local directory.

### **Graphical User Interface Equivalent**

TCWare FTP-OpenVMS File Transfers → Enter directory path in Local Files → Filter

### **Format**

**LDAP** [*directory*]

### **Equivalent**

**SPAWN DIRECTORY** [*directory*]

### **Parameter**

**directory**

Directory to list on your local host. The asterisk (\*) wildcard is acceptable.

## OPEN

Opens a connection to a remote host.

The connection remains open until you exit FTP, close the connection with the CLOSE command, or open a new connection using the OPEN command or any other command that accepts a node specification.

### Graphical User Interface Equivalent

TCPware FTP-OpenVMS File Transfers⇒Connection⇒Open

### Format

**OPEN** [*host* [*username* [*password* [*account*]]]]

If you:

- Supply the host, username, password, and account (if required) with the command, you are not prompted for them separately.
- Omit the parameters from the command line, you are prompted for them.
- Use the OPEN command non-interactively (for example, a batch job), and do not want to be prompted for a username, password, and account, then include the parameters on subsequent lines, after the OPEN command, in the command file.
- Want to be prompted for a password, do not submit the command file with a batch job.

The display does not echo the password or account information. After a connection is open, you do not have to specify the parameters for remote files.

### Synonym

CONNECT

### Parameters

#### **host**

Name or internet address of the remote host to which you want to connect. OPEN supports any valid hostname syntax, including an internet address.

#### **username**

Username on the remote host. Enclose the username in quotes if the case is important or it contains special characters. For a null username, use a pair of quotation marks (" ").

#### **password**

Password on the remote host. Enclose the password in quotes if the case is important or it contains special characters. For a null password, use a pair of quotation marks (" ").

If you use OPEN at the DCL level (see the second example), include the password on the same command line.

If you are designated by the system administrator as having password authentication using Token Authentication, you need to enter the PASSCODE in place of the password. Depending on which type of SecurID card you were assigned:

- Enter a combination of your personal identification number (PIN) and the tokencode that appears on the card (with no separating space) as the password, or
- Enter your PIN on the PINPAD] card and the resulting tokencode that appears on the card as the password.

See Chapter 15, *Token Authentication: Protecting Logins*, for details on obtaining PASSCODEs. account

Account on the remote host. Enclose the account in quotes if the case is important or it contains special characters.

## Qualifiers

*/PORT=port*

Port number for the remote FTP server. If omitted, Client-FTP uses port number 21.

*/TIMEOUT=time*

Timeout time, in seconds, to establish the FTP control connection. If omitted, the timeout time is 120 seconds (2 minutes). Minimum value is 20 seconds.

*/TLS*

Negotiate with the server to perform TLS authentication as per RFC 4217. The certificate delivered by the server is checked and self signed certificates may be rejected if desired. After performing the negotiation user authentication takes place over an encrypted connection.

**Note!** Data transfers will not be encrypted until a PROTECTION PRIVATE command has been issued.

*/VMS* (default)

*/NOVMS*

*/VMS* negotiates for VMS file structure. */NOVMS* does not. If omitted, SET VMS or SET NOVMS determines the outcome (see the SET VMS command for details).

**Note!** The OPEN */VMS* and OPEN */NOVMS* settings override SET VMS and SET NOVMS.

## Examples

- 1 The following opens a connection to SYS1. If successful, you have to enter a username and password.

```
FTP> OPEN SYS1
```

- 2 The following DCL level command opens a connection to SYS1. The line includes the username and password so that you can use the command procedure interactively or in batch processing.

```
$ FTP OPEN SYS1 "smith" "opensesame"
```

- 3** The following DCL level command opens a connection to SYS1, but uses a Token Authentication PASSCODE derived from the SecurID card, instead of the password:

```
$ FTP OPEN SYS1 "smith" "1234987654"
```

## **PROTECTION**

Set the protection for the data port after doing TLS authentication. RFC 2228 defines CLEAR, PRIVATE, SAFE and CONFIDENTIAL, but RFC 4217 specifies that only CLEAR and PRIVATE can be used with TLS. The PROTECTION command does an FTP PBSZ (protection buffer size) command followed by an FTP PROT command. The PROTECTION should be specified before returning the command channel to clear text mode as the RFCs specify.

### **Format**

PROTECTION level

### **Parameters**

#### **CLEAR**

Data transfers take place in the clear, as they would with a traditional FTP session. This is the default if no protection has been specified.

#### **PRIVATE**

Data transfers are encrypted such that they cannot be read by an intermediate system and are integrity protected.

### **Example**

```
FTP> PROTECTION CLEAR
```

```
FTP> PROTECTION PRIVATE
```



## PUT

Copies files to a remote host.

PUT supports full wildcard filespecs except wildcards enclosed in a quoted string. Use the /MULTIPLE qualifier for a wildcarded local-file filespec. PUT also supports use of asterisk (\*) wildcards after a semicolon (;) in remote file specifications. This creates the same version in the destination file as in the source file (instead of creating a new version). If the server is not OpenVMS, the version number is part of the filename. TCPware does not issue a warning if the server host already has a higher numbered version.

### Graphical User Interface Equivalent

TCPware FTP-OpenVMS File Transfers ⇒ Select file (or files) in Local Files ⇒ Copy-->. Give file new name, if desired, in New Remote File/Dir Name

### Format

PUT *local-file[,local-file,...] [remote-filename]*

### Synonyms and Equivalents

COPY *local-file /LOCAL remote-filename*

MPUT *wildcarded-local-files [remote-filename] = PUT local-file/MULTIPLE*

SEND *local-file[,local-file,...] [remote-filename]*

### Parameters

#### local-file

Input filespec on the local host. Must conform to OpenVMS filenaming rules. Use a comma between multiple filespecs.

The filespec format is:

*node"username password": :path*

node	hostname or DECnet node name (with OpenVMS Alpha V6.1 and later, and all OpenVMS I64 systems, the host name can be a domain name or IP address)
username	valid account on the host
password	password (PASSCODE if using Token Authentication) for the account
path	location and name of the file

You can omit the *node"username password": :* part of the specification unless it is for a DECnet file. If omitted, Client-FTP uses the current default directory.

You can use the *node: :path* syntax (omitting the username and password) if you want access to anonymous FTP resources, in which case the /ANONYMOUS qualifier is implied.

**wildcarded-local-files**

Input filespec on the local host in wildcard format. Wildcards include the percent symbol (%) or the question mark symbol (?) to indicate individual characters, and the asterisk symbol (\*) to indicate multiple characters. Examples of wildcarded filespecs are \*.TXT , W?????.\*, and \*.\*;\*.

**remote-filename**

Output filespec on the remote host. Enclose the filespec in quotes if you want to preserve case and did not use the SET NOLOWERCASE command. If the remote-filename is omitted, Client-FTP uses the *local-file* filename and extension, unless they are part of a quoted string. Also, enclose the filespec in quotes if it contains delimiters or symbols the FTP server can interpret in special ways.

For example, the following remote filespec is enclosed in quotes because it includes slashes (/) OpenVMS normally interprets as qualifier delimiters:

```
ALPHA"smithabcd" : "/usr/bin/proj1.txt"
```

The remote filespec must conform to the filenaming conventions of the remote host. In OpenVMS-to-OpenVMS file transfers, the *local-file* and *remote-filename* specification formats are the same. (See the *local-file* parameter).

To obtain the same version number in the destination file as in the source file (instead of creating a newer one), wildcard the destination file version using ;\*. Note that if the server is not an OpenVMS host, the version number is included in the filename. You do not get a warning if the server host already has a higher numbered version. Also, if the server host already has the version specified, the old file with that version is overwritten.

**Qualifiers**

If you omit one of the file type qualifiers (/ASCII, /BINARY, /FORTRAN, /IMAGE, or /VMS), Client-FTP transfers the file based on either:

- The current default setting; for example, ASCII or IMAGE.
- The extension (type) of the file you want copied (see Table 3-2).

Setting a file type qualifier with the PUT command overrides the default transfer format for this PUT only.

See also the SET DEFAULT command.

**/ANONYMOUS****/NOANONYMOUS**

Enables (/ANONYMOUS) or denies (/NOANONYMOUS) anonymous user access to remote resources. You can omit /ANONYMOUS if using the file syntax *node: :path*. (See *Anonymous Users*.)

**/APPEND**

Appends the *local-file* file to the *remote-filename*. If the *remote-filename* file does not exist, Client-FTP creates it. Some remote hosts do not support this operation. **NOTE:** If the operation fails, try appending in binary mode by using the /BINARY qualifier.

**/ASCII**

Transfers the file in formatted ASCII format (see Table 3-2).

**/BINARY**

Transfers .BIN, .LDA, .OBJ, and .STB, files in formatted binary format (see Table 3-2).

**/BLOCK**

Transfers STREAM, STREAM\_CR, STREAM\_LF, and UNDEFINED files in block mode (see Table 3-2).

**/CONFIRM****/NOCONFIRM** (default)

/CONFIRM issues a confirmation prompt before putting a file. Respond with **Y** or **N**. If confirming multiple file puts, use with MPUT or PUT/MULTIPLE with a wildcard value. Position the qualifier immediately after the PUT verb to relate to all files, or after the particular filename to relate to that file only.

**/CONTIGUOUS=blocks**

Local output file should have an initial contiguous allocation of the specified number of *blocks*. If the output file is smaller than the specified *blocks*, Client-FTP truncates the number of blocks. If the output file is larger, the additional allocations are non-contiguous. Does not apply to remote output files.

**/CONVERT****/NOCONVERT** (default)

/CONVERT translates the internal file formatting characters of Variable Forms Control (VFC) files. /NOCONVERT does not do the conversion.

**/FDL**

Uses a separate FDL file describing the specified file's OpenVMS RMS record attributes. This qualifier is useful for transferring a VMS node file to a non-VMS node. A subsequent GET /FDL operation can then return the file with the proper record attributes back from the non-VMS node. The default is not to create an accompanying FDL file. The TYPE (or SET TYPE) command determines the type of file. A transfer of:

- ASCII data results in a sequential file with variable records (the default).
- IMAGE data results in a sequential file with fixed length records of 512 bytes.

**/FORTRAN**

Transfers the file in FORTRAN mode (see Table 3-2). The first character of each record is a FORTRAN carriage control character. Some hosts do not recognize this transfer format.

**/IGNORE****/NOIGNORE** (default)

/IGNORE ignores errors so that copying can continue with the next file. /NOIGNORE terminates copying if an error occurs.

**/IMAGE**[=*size*]

Transfers the file in image mode. Optional size sets the record size of the local output file (see Table 3-2). Does not apply to remote output files.

**/LOG****/NOLOG** (default)

/LOG displays file specifications for each file transferred.

**/MULTIPLE**

Transfers multiple files (equivalent to **MPUT**). Use after *local-file* only and include wildcards in *local-file*. Necessary because some remote hosts do not recognize the OpenVMS characters for the asterisk (\*), percent (%), or the question mark (?) as wildcards.

**/RECORD**

Transfers the file using STRU R so as to communicate the record structure during the copy. A positional qualifier. Not all servers support record structure mode. If you specify both /RECORD and /VMS, Client-FTP uses /VMS.

**/RESTART**

For STREAM mode transfers restart the transfer where it was interrupted. The client verifies that the server supports the RFC 3659 SIZE and REST commands, and ignores the qualifier if it does not.

This does NOT work for VMS mode transfers (STRU VMS), and if the remote system is a VMS system it is recommended that a STRU FILE be done before the transfer command and to include /NOVMS on the command line.

**/SET\_FACTS**

Set selected file facts on the destination file to match the source file after transfer. The facts currently supported are:

MODIFICATION\_\_TIME

**/VARIABLE**

Transfers an image file (see /IMAGE) in variable length record mode. All /IMAGE records are the same length when stored at the destination. Applies to local output image files only.

**/VMS**

Transfers the file in VMS file mode (see Table 3-2). Allows you to transfer any type of RMS file between OpenVMS systems. /VMS is a positional qualifier. It should immediately follow the filename in question. If you use /VMS, Client-FTP ignores /APPEND, /ASCII, /BINARY, /BLOCK, /FORTRAN, /IMAGE, and /VARIABLE. If you specify both /RECORD and /VMS, Client-FTP uses /VMS. Not all servers support VMS files. If the server does and you do not specify another mode (using a qualifier or the STRUCTURE or SET DEFAULT commands), /VMS is the default.

## Examples

- 1 The following copies the STUFF.TXT file from your local host to the remote host (the receiving system stores the file under the same filename in the default directory):

```
FTP> PUT STUFF.TXT
```

- 2 The following copies the local STUFF.TXT file to DELTA's anonymous directory. It is equivalent to having used /ANONYMOUS:, sending the "*ANONYMOUS user-email-address*" username and password with the command.

```
FTP> SEND DELTA: :STUFF.TXT
```

## **PWD**

Prints the name of the current working directory on the remote host.

Useful for determining the default directory when not specifying a full pathname.

### **Format**

**PWD**

### **Equivalent**

**SHOW DEFAULT**

## QUOTE

Sends an FTP command to the remote server.

**Note!** Do not use QUOTE to initiate a file transfer operation.

### Format

QUOTE *command*

### Equivalents

QUOTE HELP SITE = SITE HELP = HELP /REMOTE SITE = REMOTEHELP SITE

### Parameter

**command**

FTP command string sent to the remote FTP server. FTP commands are not the same as Client-FTP commands. Enclose the command in quotes if it contains special characters or embedded spaces, or is case-sensitive.

### Example

The following sends the SYST command to the remote FTP server. If implemented by the remote server, it returns the type of operating system running on the remote server.

```
FTP> QUOTE "SYST"
```

## **REMOTEHELP**

Accesses the remote FTP server's on-line help.

See HELP to bring up Client-FTP's on-line help.

### **Format**

**REMOTEHELP** *[topic]*

### **Equivalents**

**HELP /REMOTE** *[topic]*

**HELP /REMOTE SITE = REMOTEHELP SITE = SITE HELP = QUOTE HELP SITE**

### **Parameter**

**topic**

Optional topic for which you want help from the remote server. If you do not specify a topic, HELP provides you with a list of topics and prompts you to choose one.



## RENAME

Renames a file on the remote host.

### Graphical User Interface Equivalent

TCPware FTP-OpenVMS File Transfers⇒Select file in Remote Files⇒Give file new name in New Remote File/Dir Name⇒Rename-->

### Format

**RENAME** *old-name new-name*

### Parameters

#### **old-name**

File on the remote host to rename. The remote filespec must conform to the filenaming conventions of the remote host. Enclose the filespec in quotes if it contains delimiters or symbols the FTP server can interpret in special ways. If a remote OpenVMS file, the specification is:

*node"username password": :path*

node	hostname or DECnet node name (with OpenVMS Alpha V6.1 and later, and all OpenVMS I64 systems, the host name can be a domain name or IP address)
username	valid account on the host
password	password (PASSCODE if using Token Authentication) for the account
path	location and name of the file

You can omit the *node"username password": :* part of the specification unless it is for a DECnet file. If omitted, Client-FTP uses the current default directory. You can use the *node: :path* syntax (omitting the username and password) if you want to rename anonymous FTP resources, in which case the /ANONYMOUS qualifier is implied.

#### **new-name**

Valid filespec to substitute for old-name. Enclose in quotes if it contains special characters, imbedded spaces, or is case sensitive.

### Qualifier

**/ANONYMOUS**

**/NOANONYMOUS**

Enables (/ANONYMOUS) or denies (/NOANONYMOUS) renaming files in anonymous user directories. You can omit /ANONYMOUS if using the node file syntax (*node: :path*). (See *Anonymous Users*.)

**Examples**

- 1 The following renames the `testb` file to `test2/test`:

```
FTP> RENAME testb "test2/test"
```

- 2 The following renames the `OLD.TXT` file on `DELTA` to `NEW.TXT`. It is equivalent to using the `/ANONYMOUS` qualifier: sends the *"ANONYMOUS user-email-address"* username and password with the command.

```
FTP> RENAME DELTA::OLD.TXT NEW.TXT
```

## **SET [NO]BELL**

Enables the terminal bell after completing a file transfer.

SET NOBELL is the default.

### **Format**

**SET BELL**

**SET NOBELL**

### **Synonym**

**BELL**- toggles between SET BELL and SET NOBELL

## SET DEBUG /CLASS

Enables or disables displaying debugging information depending on the class keyword(s) used. The /CLASS qualifier is required.

**Note!** SET DEBUG /CLASS=REPLIES (or VERBOSE toggled to ON) is the default. In this way, you can see informational messages when logging in to the server or changing remote directories (if informational messaging is enabled on the server).

### Format

**SET DEBUG /CLASS=(keyword,...)**

### Synonyms

**DEBUG** - toggles SET DEBUG /CLASS=COMMANDS

**VERBOSE** - toggles SET DEBUG /CLASS=REPLIES (default is ON)

### Qualifier

**/CLASS=(keyword,...)**

Classes of debugging information to enable or disable. Use one or more of the keywords listed in Table 3-8. The initial default is PERFORMANCE and REPLIES. Use NONE as the first entry to clear the classes before resetting them (see Example 1).

**Table 3-8 Class Keywords**

Keyword	Purpose
COMMANDS	Enables displaying FTP commands sent to the server.
PERFORMANCE	Enables displaying performance information (when using COPY/LOG, GET/LOG, or PUT/LOG).
REPLIES	Enables displaying FTP replies received from the server; equivalent to toggling the VERBOSE command ON (the default).
ALL	Enables displaying all classes.
NONE	Disables displaying all classes.

### Examples

**1** The following resets the debugging classes. It first disables all classes (NONE), and then enables the COMMANDS and REPLIES (VERBOSE) classes.

```
FTP> SET DEBUG/CLASS= (NONE, COMMANDS, REPLIES)
```

- 2 The following toggles the REPLIES (VERBOSE) class. If on, it shows informational messages (if enabled on the server) when logging in or moving around directories on the server. The ON or OFF setting is immediately displayed after the command.

```
FTP> VERBOSE
```

## SET DEFAULT

- Changes the default local or remote directory
- Sets the default qualifiers used with the COPY, GET, PUT, and DELETE commands

**Note!** Specify the parameter or the qualifiers separately. Do not specify them together.

### Format

**SET DEFAULT** [*directory*]

### Synonyms and Equivalentents

**CD** [*directory*] = SET DEFAULT /REMOTE (CD allows you to use UNIX-style *directory* names)

**LCD** [*directory*] = SET DEFAULT /LOCAL

**IMAGE** = SET DEFAULT /IMAGE

**TYPE BINARY** = SET DEFAULT /BINARY

### Parameter

#### directory

Default directory to set on the local or remote host, depending on whether the /LOCAL or /REMOTE qualifier follows, or the remote directory specification if no qualifier follows. The directory format is:

[*node*"*username password*"::] *directory*

To open a connection first, use the *node*"*username password*": part of the format. This syntax is optional. The *directory* part of the format is any valid directory specification. Enclose it in quotes if it contains special characters or embedded spaces, or is case-sensitive. (You can also use the [*directory*] format, as in [-], if the remote host is an OpenVMS system.) If *directory* is omitted:

- With SET DEFAULT or SET DEFAULT /REMOTE, Client-FTP sets the default directory to the parent of the current directory on the remote host.
- With SET DEFAULT /LOCAL, Client-FTP sets the local default directory to your login directory defined by the SYS\$LOGIN logical.

Use the *node*: :*directory* syntax to access an anonymous FTP user directory, in which case you can omit the /ANONYMOUS qualifier.

### Qualifiers

#### /LOCAL

Changes the local default directory to *directory*. LCD is the same as SET DEFAULT /LOCAL.

**/REMOTE** (default)

Changes the remote default directory to directory. CD is the same as SET DEFAULT /REMOTE.

**/ANONYMOUS****/NOANONYMOUS**

Enables (/ANONYMOUS) or denies (/NOANONYMOUS) the setting of defaults for anonymous user directories. You can omit /ANONYMOUS if you use the syntax *node::directory*. (See *Anonymous Users*.)

**/[NO]APPEND****/[NO]CONFIRM****/[NO]IGNORE****/[NO]LOG****/[NO]RECORD****/[NO]VARIABLE****/[NO]VMS**

These qualifiers set various transfer defaults. Do not use with /LOCAL or /REMOTE. See the COPY, GET, PUT, or DELETE command for qualifier descriptions.

**/ASCII****/BINARY****/BLOCK****/FORTRAN****/IMAGE[=n]**

These qualifiers set transfer mode defaults (see Table 3-2). Use only one. Do not use with /LOCAL or /REMOTE. See the COPY, GET, or PUT command for qualifier descriptions.

**/DEFAULT**

Determines the default transfer mode from the local file's file extension. Do not use with /LOCAL or /REMOTE.

## Examples

- 1 The following equivalent commands set the local default directory to [SMITH.DOC]. The default device does not change.

```
FTP> SET DEFAULT /LOCAL [SMITH.DOC]
FTP> LCD [SMITH.DOC]
```

- 2 The following equivalent commands sets the remote default directory to /usr/src/:

```
FTP> SET DEFAULT /REMOTE "/usr/src/"
FTP> CD "/usr/src/"
```

- 3 The following sets the default transfer mode to /IMAGE for subsequent copy commands, and sets the default to /LOG and /NOCONFIRM:

```
FTP> SET DEFAULT /IMAGE /LOG /NOCONFIRM
```

- 4 The following sets the remote directory to the anonymous directory on DELTA.

```
FTP> SET DEFAULT DELTA:: []
```

It is equivalent to:

```
FTP> SET DEFAULT DELTA"ANONYMOUS user-email-address:: []
```

- 5 The following sets the remote directory to SYSSYSDEVICE:[USER.SMITH]:

```
FTP> CD "/sys$sysdevice/user/smith"
```



## **SET [NO]ALLOWSELSIGNED**

Allows or disallows self signed certificates for RFC 4217 TLS negotiation.

The default is to allow self signed certificates.

### **Format**

SET ALLOWSELSIGNED

SET NOALLOWSELSIGNED

## **SET [NO]HASH**

Enables hash marks.

With SET HASH, Client-FTP displays a hash mark (#) every 1024 bytes sent or received during a file transfer. SET NOHASH is the default.

Hash marks appear in files only. No hash marks appear if the file transfer is output to the terminal screen.

**Note!** With SET HASH, FTP reads only 1024 bytes at a time from the network layer. While this means that FTP gives more accurate reports on the progress of a transfer, it increases overhead. Use hash marks primarily with transfers over slower-speed links (such as SLIP lines).

### **Format**

**SET HASH**

**SET NOHASH**

### **Synonym**

**HASH-** toggles between SET HASH and SET NOHASH

## SET /NO/LOWERCASE

Enables the conversion of unquoted filenames to lowercase before Client-FTP sends the files to the remote host. SET LOWERCASE is the default.

With SET NOLOWERCASE, Client-FTP does not convert unquoted filenames to lowercase.

**Note!** Client-FTP always preserves the case of filenames that appear within quotation marks.

### Format

SET LOWERCASE  
SET NOLOWERCASE

## **SET /NO/PASSIVE**

Sets passive mode. Passive mode performs an active open on the data connection, which can avoid problems with firewall systems.

/SET NOPASSIVE (the default) disables passive mode.

**Note!** You can also define the TCPware FTP\_PASV logical as follows:

```
$ DEFINE/PROCESS TCPWARE_FTP_PASV "TRUE"
```

Your system manager can also define the logical system-wide as follows:

```
$ DEFINE/SYSTEM/EXEC TCPWARE_FTP_PASV "TRUE"
```

### **Graphical User Interface Equivalent**

```
TCPware FTP-OpenVMS File Transfers⇒Options⇒TCPware FTP-OpenVMS  
Settings ⇒PASV Mode⇒OK
```

### **Format**

```
SET PASSIVE  
SET NOPASSIVE
```

### **Synonym**

PASSIVE - toggles between SET PASSIVE and SET NOPASSIVE

## SET /NO/VMS

Controls whether the Client-FTP negotiates for VMS file structure with the FTP server when opening a connection. The default is SET VMS, where the client negotiates with the server to use File Descriptor Language (FDL) information.

Client-FTP first queries if the server supports VMS file transfer mode. If not, it queries for VMS Plus file transfer mode, such as with HP's TCP/IP Services for OpenVMS (UCX) server.

In connecting to a TCPware or other OpenVMS server, the VMS file structure transfer mode is used.

See Table 3-2 for more information.

**Note!** OPEN /VMS or OPEN /NOVMS overrides SET VMS and SET NOVMS.

### Format

SET VMS (default)

SET NOVMS

## SHOW STATUS

Displays the following information about your present FTP session:

- Remote hostname and internet address if you are connected to a remote host
- Username on the remote host if you are connected and logged in
- Local default directory
- Remote default directory if you are logged in to a remote host and that host supports the FTP PWD command
- Record size to be used with the /IMAGE qualifier
- Defaults that are defined by the SET DEFAULT command for the COPY, GET, PUT, and DELETE commands

### Format

**SHOW STATUS**

### Synonym

**STATUS**

### Example

The following shows the status for the current connection:

```
FTP> SHOW STATUS
```

```
Connected to ALPHA (192.168.1.1)  
Logged in as user "SMITH"
```

```
The local default is SYS$COMMON:[SYS$LDR]  
The remote working directory is /usr/users
```

```
Default qualifiers are /VMS
```

## SITE

Issues a site-specific command to the remote server.

### Format

*SITE command*

### Equivalentents

**SITE HELP = HELP /REMOTE SITE = REMOTEHELP SITE = QUOTE HELP SITE**

### Parameter

#### **command**

Site-specific command string to send to the remote host. Enclose the command in quotes if it contains special characters or embedded spaces, or is case sensitive. Site-specific commands can vary depending on the remote FTP server; some servers do not support any.

This command is often useful in obtaining information about the site-specific commands, if any, the remote FTP server supports.

### Example

The following sends a site-specific command (SITE SPAWN PRINT MYFILE.TXT) to the remote server. With the FTP-OpenVMS server, requests printing of the MYFILE.TXT file.

```
FTP> SITE "SPAWN PRINT MYFILE.TXT"
```

## SPAWN

Executes DCL commands without exiting FTP.

**Note!** Spawning is not allowed for CAPTIVE accounts.

### Format

**SPAWN** *[command-line]*

### Parameter

#### **command-line**

DCL command line you want executed. If omitted, spawns an interactive subprocess. To return from an interactive subprocess, enter **LOGOUT**.

### Synonym

**Z** *[command-line]*

### Examples

- 1 The following displays the time on your local host without leaving Client-FT:

```
FTP> SPAWN SHOW TIME  
3-NOV-2001 14:02:48
```

- 2 The following initiates DCL command mode, displays the local time, logs out, and returns to Client-FT:

```
FTP> SPAWN  
$ SHOW TIME  
3-NOV-2001 14:02:51  
$ LOGOUT  
Process SMITH_1 logged out at 3-NOV-2001 14:02:54.34  
FTP>
```



## STRUCTURE

Changes the default file structure.

Client-FTP uses FILE structured files as the default.

Use the /[NO]RECORD qualifier for the COPY, GET, or PUT commands to override this default for individual transactions.

### Format

**STRUCTURE** *keyword*

### Parameter

**keyword**

Table 3-9 lists valid values for *keyword*.

**Table 3-9 STRUCTURE Command Keyword Values**

Value	Purpose
FILE	Sets FILE as the default file structure. FILE structured files consists of sequential bytes. Equivalent to SET DEFAULT/NORECORD. This is the default.
RECORD	Sets RECORD as the default file structure. RECORD structured files consists of a collection of records. Equivalent to SET DEFAULT/RECORD.
VMS	Sets VMS as the default file structure. VMS file structure allows you to transfer all types of RMS files between OpenVMS systems using File Descriptor Language (FDL) information. May OpenVMS systems that implement FTP support this structure. Equivalent to SET DEFAULT/VMS.

**Note!** Some FTP servers do not support the RECORD or VMS structures.

### Example

The following changes the default file structure to FILE:

```
FTP> STRUCTURE FILE
```

## TYPE

Changes the default file transfer format for all future file operations in this session.

The following rules apply to the TYPE command:

- The default file transfer format remains set until you redefine it. It does not change when opening or closing a connection.
- The default format changes only if the remote host accepts the type change.
- If there is no default file format defined, Client-FTP tries to determine the file format based on the local file's file extension.

Use the COPY, GET, or PUT command qualifiers to override this default for individual transactions.

### Format

**TYPE** *keyword*

### Equivalents

**SET DEFAULT** *type qualifier*

**ASCII**= TYPE ASCII

**BINARY**= TYPE IMAGE

**IMAGE**= TYPE IMAGE

### Parameter

**keyword**

Table 3-10 lists valid values for keyword. See Table 3-2 for a full description of the file transfer types.

**Table 3-10 TYPE Command Keyword Values**

<b>Keyword</b>	<b>Purpose</b>
ASCII	Sets formatted ASCII format (see Table 3-2). Equivalents: <ul style="list-style-type: none"><li>• SET DEFAULT/ASCII</li><li>• ASCII</li></ul>
BINARY	Sets formatted binary format (see Table 3-2). SET DEFAULT/BINARY is equivalent.

**Table 3-10 TYPE Command Keyword Values (Continued)**

<b>Keyword</b>	<b>Purpose</b>
IMAGE	Sets image format (see Table 3-2). Equivalents: <ul style="list-style-type: none"> <li>• SET DEFAULT/IMAGE</li> <li>• BINARY</li> <li>• IMAGE</li> </ul>
FORTTRAN	Sets ASCII format and specifies that the first character of each record is a FORTRAN carriage control character (see Table 3-2). SET DEFAULT/FORTTRAN is equivalent.
BLOCK	Sets block format (see Table 3-2). SET DEFAULT/BLOCK is equivalent.
VARIABLE	Specifies that FTP writes an image format file as a variable-length record format file. Although FTP writes the records as variable-length, all records are the same length. SET DEFAULT/IMAGE/VARIABLE is equivalent.
DEFAULT	Removes the previous default file format. SET DEFAULT/DEFAULT is equivalent. This is the default setting for an undefined format.

## Examples

- 1 The following changes the default file format to formatted ASCII:

```
FTP> TYPE ASCII
```

- 2 The following removes the previous default file format. For future transactions, Client-FTP tries to determine the file format based on the local file's extension.

```
FTP> TYPE DEFAULT
```

## USER

Sets the username at the remote host.

USER requires an open connection.

### Format

**USER** [*username* [*password* [*account*]]]

If you:

- Supply the username, password, and account (if required) with the command, you are not prompted for them separately.
- Omit the parameters from the command line, you are prompted for them.
- Use USER in an interactive command file and do not want to be prompted for a user name, enter the username in the file on the line after the USER command. (You cannot include password or account information in the interactive command file.)
- Use the command non-interactively (for example, a batch job), and do not want to be prompted for a username, password, or account, then include the parameters on subsequent lines, after the USER command, in the command file.
- Want to be prompted for a password, do not use the command file with a batch job nor specify the password in a command file.

The display does not echo the password or account information.

### Synonym

**LOGIN**

### Parameters

#### **username**

Username on the remote host. Enclose the username in quotes if case is important or if it contains special characters. Prompted if omitted.

#### **password**

Password on the remote host. Enclose the password in quotes if case is important or if it contains special characters. Prompted if omitted and required. Not echoed.

If you are designated by the system administrator as having password authentication through Token Authentication, you need to enter the PASSCODE in place of the password. Depending on which type of SecurID card you were assigned:

- Enter a combination of your memorized personal identification number (PIN) and the tokencode that appears on the card (with no separating space) as the password, or
- Enter your memorized PIN on the PINPAD] card and the resulting tokencode that appears on the card as the password.

See the Chapter 15, *Token Authentication: Protecting Logins*, for details on obtaining PASSCODEs.

**account**

Account on the remote host. Enclose the account in quotes if case is important or if it contains special characters. Prompted if omitted and required. Not echoed.

**Example**

The following sets the username on the remote host to SMITH, and specifies a password and an account:

```
FTP> USER "SMITH" "PASSWORD" "SMITH"
```



# Chapter 4

## Kerberos User Commands

### Introduction

This chapter describes the user functions needed to get a ticket-granting ticket for Kerberos applications and maintaining the ticket file.

### Ticket File Location Logical

The default ticket file for the user is SYSS\$LOGIN:KERBV4.TICKET. If you define the TCPWARE\_KERBV4\_TKFILE logical, you can have the ticket file located somewhere else.

Here is an example of how you can define this logical to locate the ticket file in a specific directory:

```
$ DEFINE/PROCESS TCPWARE_KERBV4_TKFILE SYSS$DISK:[MYDIR]TICKET.TXT
```

### Kerberos User Commands

The user interface with Kerberos comprises the following commands:

GET TGT	Gets the ticket-granting ticket (TGT) to authenticate yourself to Kerberos
REMOVE TICKETS	Removes the TGT and any service tickets you might have
SET KERBEROS_PASSWORD username	Changes your Kerberos password
SHOW TICKETS	Lists all tickets (TGT and service tickets) in the ticket file

You can access these commands using the Network Control Utility (NETCU) by entering either:

- \$ **NETCU**  
NETCU> *command*
- \$ **NETCU** *command*

Uppercase command parameters are converted to lowercase unless you enclose them in quotes.

## Command Reference

A description of each Kerberos user command follows.



## GET TGT

For Kerberos users. Gets the ticket-granting ticket (TGT) that allows you to get application service tickets. This process authenticates you to the Kerberos Server, which is considered to be a trusted, secure machine. TGTs are required to obtain an application service ticket from the Kerberos Server.

The name of the ticket file is determined by the TCPWARE\_KERBV4\_TKFILE logical, usually set to SYS\$LOGIN:KERBV4.TICKET.

You must enter your Kerberos password with this command.

Your OpenVMS login name is used for the Kerberos username unless the /USERNAME qualifier specifies otherwise.

GET TGT is equivalent to the UNIX command `kinit`.

### Format

**GET TGT**

Password: *password*

### Parameter

**password**

User's Kerberos password that authenticates the user to the Kerberos Server. Converted to lowercase unless you enclose it in double quotes.

### Qualifiers

**/INSTANCE=*instance***

Usually omitted for a general Kerberos user; `admin` for an administrative user. (See your Kerberos administrator to determine your Kerberos instance name.) Converted to lowercase unless you enclose it in double quotes.

**/LIFETIME=*minutes***

Lifetime of the TGT in minutes ranging from 5 to 1275 minutes. The default lifetime is 480 minutes (8 hours).

**/REALM=*realm***

Optional Kerberos realm to use instead of the one determined by the value of the logical TCPWARE\_KERBV4\_REALM. Converted to lowercase unless you enclose it in double quotes.

**/USERNAME=*login-name***

Alternate login name. Converted to lowercase unless you enclose it in double quotes.

## Example

**NETCU GET TGT**

Password:

Gets a ticket-granting ticket for the logged-in user. If the user logged in as SYSTEM, SYSTEM is used as the Kerberos username—if the user logged in as FRED, FRED is used as the Kerberos username.

## REMOVE TICKETS

For Kerberos users. Removes your ticket-granting ticket and application service tickets, if any.

See the `SHOW TICKETS` command to view the user's ticket-granting ticket and any application service tickets contained in the user's ticket file.

The name of the ticket file is determined by the value of the `TCPWARE_KERBV4_TKFILE` logical, usually set to `SYSS$LOGIN:KERBV4.TICKET`.

`REMOVE TICKETS` is equivalent to the UNIX command `kdestroy`.

### Format

`REMOVE TICKETS`

### Qualifiers

`/BELL`

`/NOBELL` (default)

Specifies whether the terminal bell should sound when an error occurs when trying to remove tickets. The default is `/NOBELL`.

`/STATUS` (default)

`/NOSTATUS`

Specifies whether to display a message when removing tickets. The default is `/STATUS`.

### Example

```
NETCU REMOVE TICKETS
```

Removes the ticket-granting ticket and application service tickets, if any.

### Troubleshooting

```
%TCPWARE_NETCU-W-NTKTTODES, no tickets to destroy
```

**Meaning:** The ticket file does not exist.

**Action:** Use the `GET TGT` command to create a ticket file entry.

```
%TCPWARE_NETCU-I-TKTDESTR, tickets destroyed
```

**Meaning:** The ticket was successfully removed.

```
%TCPWARE_NETCU-E-TKTNODES, tickets NOT destroyed
```

**Meaning:** Some error occurred while trying to delete the ticket file. Possible reasons are that the ticket file does not grant delete access, or you are not its actual owner.

## SET KERBEROS\_PASSWORD

For Kerberos users. Changes your Kerberos password.

**Note!** If you change your Kerberos password, your ticket-granting ticket (TGT) is deleted from your ticket file. You need to create a new TGT using the GET TGT command.

SET KERBEROS\_PASSWORD is equivalent to the UNIX command `kpasswd`.

### Format

**SET KERBEROS\_PASSWORD** [*username* [*instance*]]

Old password for username: *old-password*

New password for username: *new-password*

Verifying, please re-enter: *new-password*

### Parameters

#### **username**

Kerberos username for which to change the Kerberos password. If omitted, the OpenVMS username under which the user logged in is used. Converted to lowercase unless you enclose it in double quotes.

#### **instance**

Usually omitted for a general Kerberos user but can be the name of the machine from which you can obtain ticket-granting tickets and service tickets. Specify `admin` for an administrative user. (See your Kerberos administrator to determine your Kerberos instance.) Converted to lowercase unless you enclose it in double quotes.

#### **old-password**

#### **new-password**

Old and new user passwords. Converted to lowercase unless you enclose them in double quotes.

### Example

```
NETCU SET KERBEROS_PASSWORD PERSEPHONE
```

```
Old password for 'persephone':
```

```
New password for 'persephone':
```

```
Verifying, please re-enter:
```

Changes the Kerberos password for user `persephone`.

## SHOW TICKETS

For Kerberos users. Displays your ticket-granting ticket (TGT) and any existing application service tickets.

The name of the ticket file is determined by the value of the `TCPWARE_KERBV4_TKFILE` logical, usually set to `SYSS$LOGIN:KERBV4.TICKET`.

`SHOW TICKETS` is equivalent to the UNIX command `klist`.

See the `GET TGT` command for more information on getting ticket-granting tickets.

### Format

**SHOW TICKETS**

### Qualifiers

**/BRIEF**

**/NOBRIEF** (default)

`/BRIEF` lists only the acquired tickets and not the ticket files, principal names, issuance dates, or expiration dates.

**/SRVTAB**

Shows the contents of the `TCPWARE:SRVTAB` file as a list of available Kerberos services. (See `CREATE SRVTAB` for more information on the `TCPWARE:SRVTAB` file.)

**/TGT\_TEST**

**/NOTGT\_TEST** (default)

Checks whether the tickets are still valid and returns a success or failure exit status.

### Examples

**1 NETCU SHOW TICKETS**

```
Ticket file:      SYS$LOGIN:KERBV4.TICKET
Principal:       fred@daisy.com
```

```
Issued           Expires           Principal
-----
Jun 1 10:11:12   Jun 1 18:11:12   krbtgt.daisy.com@daisy.com
```

Displays the name of the ticket file; ticket owner's principal name, issue and expiration dates; and service principal name of each ticket.

**2 NETCU SHOW TICKETS /SRVTAB**

Server key file: TCPWARE:SRVTAB.

Service	Instance	Realm	Key Version
-----	-----	-----	-----
changepw	bart	daisy.com	1
rcmd	bart	daisy.com	1

Lists the available Kerberos services on BART as listed in its TCPWARE:SRVTAB. file.

### Introduction

The TCPware for OpenVMS network print services include Line Printer Services (LPS) and Terminal Server Print Services. These network printing services support most printing devices, including line printers, laser printers, and plotters.

TCPware provides Internet Printing Protocol support. refer to the *TCPware for OpenVMS Management Guide* for more information about IPP.

LPS lets users print files on printers attached to remote hosts. Users can also print files that are on a remote host to printers attached to the local host.

Terminal Server Print Services lets users print files on printers attached to terminal servers on a TCP/IP network.

TCPware bases the network printing services on:

- UNIX style LPR/LPD protocols—Line Printer Services (LPS) implement these protocols. LPS supports the UNIX style LPR, LPRM, and LPQ commands, and the OpenVMS style PRINT command. You can configure a host as an LPS client and an LPS server (LPD).

The LPS OpenVMS print queue created during configuration can be a queue that:

- Performs local OpenVMS print formatting and prints output on the printer associated with the remote host running LPD.
- Sends local print requests to the remote print queue running LPD. The remote print queue performs the print formatting.
- OpenVMS print protocol—Terminal Server Print Services implements this protocol and supports the OpenVMS style PRINT command.
- Before you use the TCPware network printing services, get a list of available print queue names from your system manager and be sure that:
- TCPware print services software has been configured and started on your system.
- Any other required OpenVMS print queues have been initialized and started.

## Network Print Services

Once the print queue has been initialized and started, you can send print requests to a printer attached to a remote host, or to a printer connected to a terminal server on the TCP/IP network. You can also print files that are on a remote host to printers attached to the local host.

The LPS client and Terminal Server Print Services support the following commands:

<b>LPQ</b>	Displays the remote print job status	<b>LPRM</b>	Removes a job from a remote print queue
<b>LPR</b>	Sends a job to the default remote printer designated during configuration	<b>PRINT</b>	Places a job in the designated print queue; then sends the job to the printer associated with that queue.

Figure 5-1 shows using the UNIX style LPR command and the OpenVMS style PRINT command when you use LPS. It also shows sending a file to a print queue associated with a terminal server on a TCP/IP network.

To send files to a printer using the networking print services:

- 1 Enter the **LPR** command to send a file to print when either the local or remote host is a UNIX system. For example:

```
LPR filename
```

Prints the file specified by *filename* on the default remote printer. For example:

<b>LPR MEMO.TXT</b>	Prints the file MEMO.TXT on the default remote printer.
<b>LPR -PMYUNIX MEMO.TXT</b>	Sends the file MEMO.TXT to the remote printer specified by the logical MYUNIX.
<b>LPR -PRPRINTER1@ALPHA MEMO.TXT</b>	Sends the file MEMO.TXT to the remote printer RPRINTER1 connected to host ALPHA. See the LPR, LPQ, LPRM, and PRINT commands in the command reference.

- 2 Enter the **PRINT** command to send a file to a print queue for printing when one of the following is true (see Figure 5-1):
  - a The local host is a TCP/IP OpenVMS host and the remote host runs the LPD server.
  - b The local and remote hosts are TCP/IP OpenVMS hosts.
  - c The local host is a TCP/IP OpenVMS host and the printer connects to a terminal server on a TCP/IP network.

In the print request **PRINT/QUEUE=qname filename**, the *qname* parameter is the name of the print queue, and the *filename* parameter specifies the data file or files you want printed.

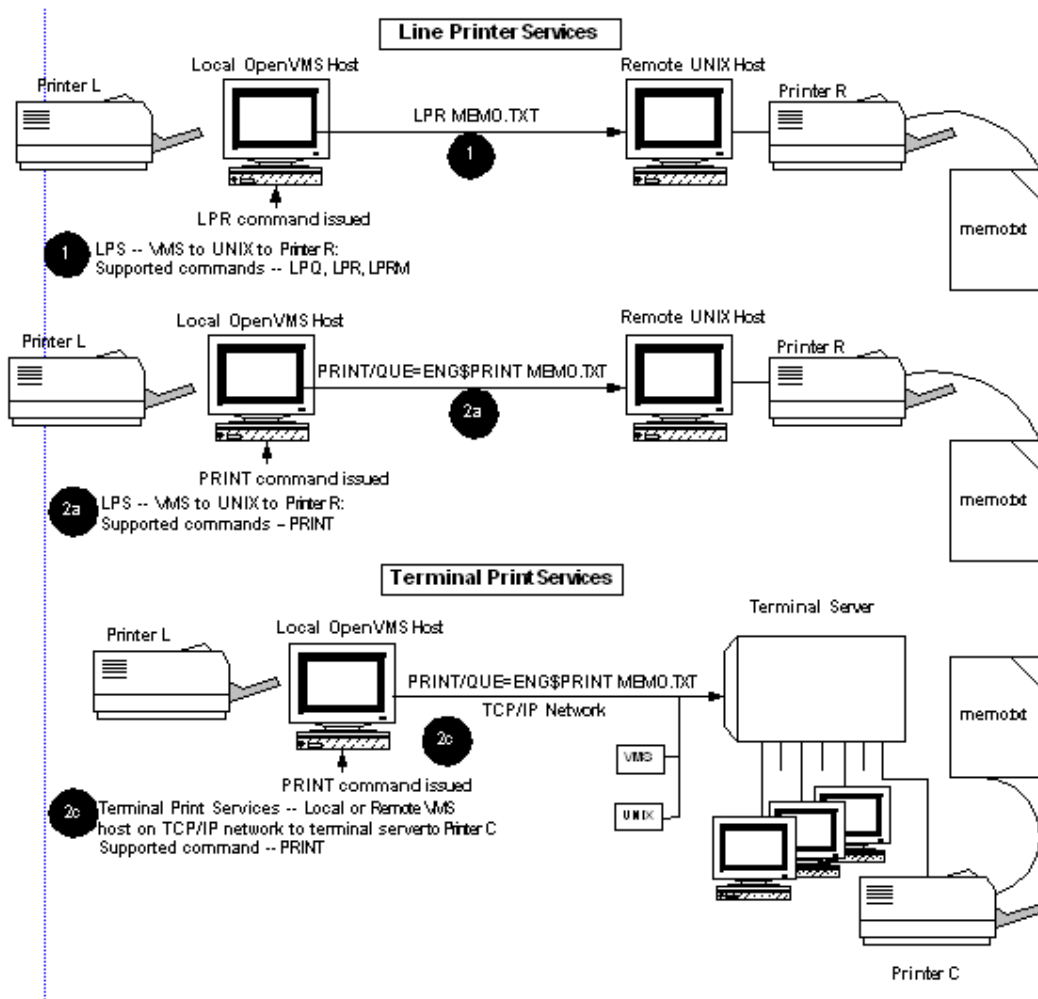


For example, the print request `PRINT/QUEUE=ENG$PRINT MEMO.TXT` sends the file `MEMO.TXT` to the remote printer `queue ENG$PRINT` for printing on the printer associated with that print queue.

The standard OpenVMS qualifiers for the `PRINT/QUEUE` command are available.

See HP's OpenVMS DCL Dictionary for details on the `PRINT` command.

**Figure 5-1 Using UNIX Style and OpenVMS Style Printing Commands**



## PRINT Qualifiers

LPS supports the OpenVMS PRINT/FORM qualifier on local LPS OpenVMS print queues. LPS OpenVMS print queues configured with the VMS formatting option support the /FORM qualifier.

LPS also supports the /PARAMETERS qualifier on remote hosts associated with the local LPS OpenVMS print queue. OpenVMS print queues configured with the LPD formatting option support the /PARAMETERS qualifier.

LPS also supports the /LIBRARY and other qualifiers associated with the OpenVMS INITIALIZE/QUEUE command. You can specify these qualifiers during CNFNET configuration.

Figure 5-2 shows the effects of using the /FORM and /PARAMETERS qualifiers on an LPS OpenVMS queue configured for:

- **VMS** formatting option set up during configuration—use the /FORM qualifier
- **LPD** formatting option set up during configuration—use the /PARAMETER qualifier

If you intend to use the /FORM or /PARAMETER qualifier:

- The format of the PRINT command with the /FORM option is:

```
PRINT/QUEUE=qname filename /FORM=form
```

*qname* is the OpenVMS queue name and *form* is the form name or number.

Use the SHOW QUEUE/FORM command to display the list of the available forms for use with LPS.

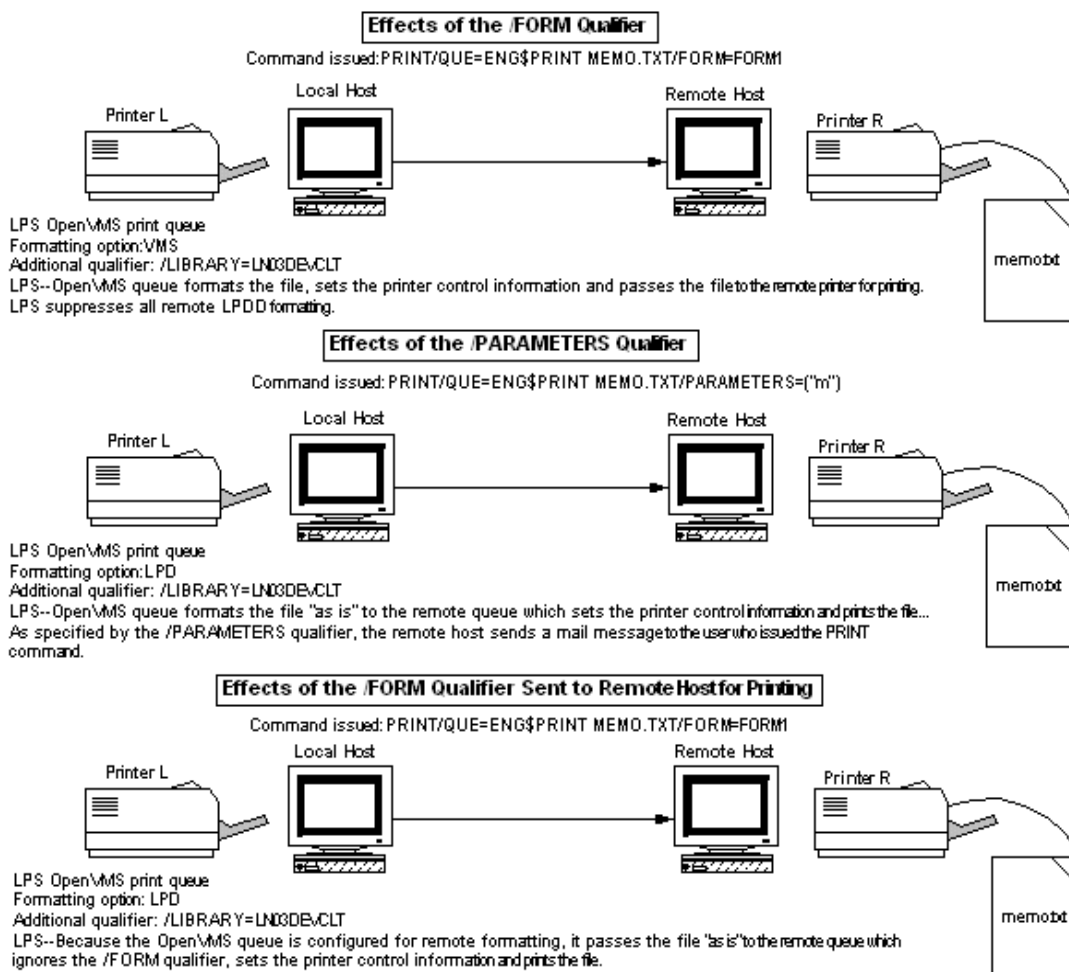
- The format of the PRINT command with the /PARAMETERS option is:

```
PRINT/QUEUE=qname filename /PARAMETERS=(parameters)
```

*qname* is the OpenVMS queue name and *parameters* is any of a number of supported parameters and their values, separated by commas, such as /PARAMETERS=(SIDES=2,NUMBER\_UP=2), which indicates double-sided printing with two print "frames" (the "number up") per page.

- Ask your system manager for a list of LPS OpenVMS print queues that support these qualifiers.
- Ask your system manager for a list of available forms for LPS.

Figure 5-2 /FORM and /PARAMETERS Qualifiers with LPS OpenVMS Print



## LPQ

Displays the status of specific print requests or all requests in a remote print queue.

For each request in a queue, LPQ reports the following:

- User's name
- Current rank of the request in the queue
- Names of the files within the request
- Request number
- Total size of the request in bytes

Print requests appear in the order in which you want them printed. If the filenames are unavailable (because the job consists of text entered directly from the keyboard), LPQ lists them as SYSS\$INPUT.

You can specify up to 50 files and 50 usernames on one LPQ command line.

`LPQ [-l] [-Pprinter] [job-number...] [username...]`

You can enter commands, parameters, and options in upper or lowercase letters. Print services converts all uppercase letters to lowercase unless you enclosed them in quotation marks ("").

## Parameters

### **job-number**

Displays queue information for the specified request.

### **username**

Displays queue information for print requests owned by a specific user.

## Options

### **-l**

Displays queue information in the long format. If you do not use this option, LPQ displays only as much information about the job as fits on one line.

### **-Pprinter@host**

### **-Plogical-name**

Specifies a remote print queue. If you do not use this option, LPQ displays information only for the default printer defined by the logical TCPware LPR\_PRINTER.

**Note!** LPQ does not support the UNIX LPQ option `+n`.

## Examples

- 1 This command displays in short form all jobs queued to the printer `sys$print` on host `daisy` and owned by user `smith`:

```
LPQ
lp is ready and printing
Rank      Owner      Job      Files      Total Size
active    smith      45      memo1, memo2, memo  3957 bytes
1st       jones      46      prog.c      897 bytes
2nd       ross       47      letter.txt   432 bytes
```

- 2 This command displays in long form all jobs queued to the printer `sys$print` on host `daisy` and owned by user `smith`:

```
LPQ -l -Psys$print@daisy smith
lp is ready and printing
smith: active          [job 045daisy.flower.com]
      3 copies of memo.txt          957 bytes

smith:1st              [job 046daisy.flower.com]
      prog.c                  897 bytes

smith:3rd              [job 048daisy.flower.com]
      letter.txt              432 bytes
```

- 3 This command displays job 489 in the queue for the default remote printer:

```
LPQ 489
lp is ready and printing
Rank      Owner      Job      Files      Total Size
active    gordon     489     aug.txt, sept.txt  560 bytes
```

## LPR

Sends a file to a remote print queue.

If you omit a filespec, the job consists of data you type from the keyboard.

The TCPWARE\_LPR\_PRINTER logical defines the default remote printer.

TCPware creates the LPR temporary file in SYSSCRATCH. In this way, if you have a limited disk quota, you can print by redefining the SYSSCRATCH logical to point to a public scratch disk that has no disk quota limitations.

### Format

LPR [*option...*] [*filespec ...*]

### Parameter

#### filespec

Name of the file(s) you want queued. Use the asterisk (\*) or percent sign (%) as a wildcard character. Enclose in quotes if you want to preserve case other than all lowercase. For multiple files, leave a space between each *filespec*. The default extension is .LIS.

### Options

**Note!** The following options are listed in the order characters (lowercase and uppercase), *numbers*, and *symbols*. They are all prefixed by a hyphen and some take arguments. The lowercase and uppercase character options can mean very different things and are listed together for comparison sake. The important distinction is that the uppercase options all take arguments. There are two ways to keep this distinction clear on the command line:

Enter lowercase options in lowercase and uppercase options in uppercase	Here you MUST enclose the uppercase character in quotes; for example, -"P" ("use the remote printer indicated by the following argument"). Also include a space character between a lowercase (unquoted) option and any <i>filespec</i> , or the entry will be interpreted as an option that takes an argument (see the next method).
Enter all options in lowercase	Here you MUST distinguish the options taking arguments by appending the argument <i>immediately</i> after the option character (with no intervening space). For example, -p1p means "use remote printer 1p", while -p 1p (with the space) means "print the 1p file, which contains UNIX pr formatting commands."

-c

File contains data in the UNIX CIF graphics language.

**-C***job-classification* (or **-c***job-classification*)

Names the job classification you want used on the burst page. If you omit this option, the job classification is the domain name of the local host. (See the previous note for details on syntax.)

**-d**

File contains output from TeX formatting commands.

**-f**

Uses a filter that interprets the first character of each line in the file as a standard FORTRAN carriage control character.

**-g**

File contains standard UNIX plot data as produced by the plot routines.

**-h**

Suppresses the printing of the burst page.

**-i***[number]*

Indents the output the specified number of blank spaces. If you do not enter a *number*, the output indents eight spaces. (Do not leave a space between the **-i** and the *number*.)

**-J***job* (or **-j***job*)

Prints the job name on the burst page. If you do not use this option, the job name is the name and extension of the first file in the job. (See the Note for details on syntax.)

**-l**

Uses a transparent filter so that you can send data to the printer unchanged. Note that the data is UNCONVERTED; print services does not convert the files to STREAM-LF format. Use this option with BINARY data or files containing all of the characters, including carriage returns (CRs), when you want them sent to the printer.

**-m**

Sends a mail message to the user who issued the LPR command upon completion of the job. You can use this option only if your local host implements the Simple Mail Transfer Protocol (SMTP). This also sets the /NOTIFY option for PRINT, so that if you are logged in as the user under which the job was printed, you will be notified that the job completed.

**-n**

File contains UNIX `ditroff` (device independent `troff`) formatting commands.

**-o**

File contains PostScript input.

**-P**

Prints the file with page headers. (Do not append any characters onto the **p** of the option or it can be interpreted as an argument to the uppercase **-P** option. See the Note.)

**-P***printer@host* (or **-pp***printer@host*)

**-P***logical* (or **-p***logical*)

Specifies a remote printer. If you do not use this option, lpr uses the default printer defined by the logical TCPWARE\_LPR\_PRINTER. (See the Note for details on syntax.)

**-r**

Deletes the files from your local host after sending them to the remote queue. Use this option cautiously. The remote host deletes the file when accepting the job. However, the remote host does not guarantee that it will print or execute the job. (That is, the remote printer might fail, someone could delete jobs from the queue, or you might not have access to the queue). The remote host does not delete the file if the remote queue does not accept the job.

**-t**

File contains output from UNIX `troff` formatting commands. (Do not append any characters onto the `t` of the option or it can be interpreted as an argument to the uppercase `-T` option. See the Note.)

**-T***title* (or **-t***title*)

Prints a title on the first page of output. Use this option only when you use the `-p` option to format a file. (See the previous note for details on syntax.)

**-v**

File is in Sun raster format.

**-w***number*

Width of the output pages in characters. (Do not leave a space between the `-w` and the *number*.)

**-z***number*

Length of the output pages in lines. (Do not leave a space between the `-z` and the *number*.)

**-1***string*

**-2***string*

**-3***string*

**-4***string*

The options name UNIX font files and work the same as they do in UNIX. (Do not leave a space between the number and the string.)

Use these options only with the `-d`, `-n`, and `-t` options.

**-#***number*

Prints multiple copies, where *number* is the number of copies you want of each file. (Do not leave a space between the `-#` and the *number*.)



**Note!** LPR does not support the UNIX `lpr` options `-s` and `-q`.  
Some LPD servers that reside on non-UNIX hosts (such as the one provided by TCPware) do not support the following UNIX `lpr` options: `-p`, `-t`, `-n`, `-d`, `-g`, `-v`, `-c`, `-i`, `-w`, `-z`, `-1`, `-2`, `-3`, and `-4`.

## Examples

- 1 This command prints the file MEMO.TXT on the default remote printer:

```
LPR MEMO.TXT
```

- 2 Each of these commands send the file MEMO.TXT to the remote printer specified by the logical `drp02`:

```
LPR -"P"drp02 MEMO.TXT  
lpr -pdrp02 memo.txt
```

- 3 Each of these commands send the file MEMO.TXT to the remote printer `lp` at host `daisy`:

```
LPR -"P"lp@daisy MEMO.TXT  
lpr -plp@daisy memo.txt
```

- 4 Each of these commands specify `mymemos` as the job name on the burst page, and send MEMO1.TXT, MEMO2.TXT, and MEMO3.TXT to the default remote printer:

```
LPR -"J"mymemos MEMO1.TXT MEMO2.TXT MEMO3.TXT  
lpr -jmymemos memo1.txt memo1.txt memo2.txt memo3.txt
```

- 5 This command sends three copies of the MEMO.TXT and LETTER.TXT files to the default remote printer:

```
LPR -#3 MEMO.TXT LETTER.TXT
```

- 6 This command:

```
LPR -t -h -w72 MEMO.LIS
```

Indicates that:

- The file contains UNIX troff formatting code.
- The burst page should not be printed.
- The width of the output should be 72 characters.
- The MEMO.LIS file is sent to the default remote printer.

## LPRM

Removes one or more jobs from a remote print queue.

You can remove jobs from remote queues in these situations only:

- The jobs were submitted from your local host
- Your local host has direct access to the remote host. The following files define this access:
  - TCPWARE:LPD\_USERS.DAT (the LPD Access File) for TCPware hosts
  - `etc/hosts.lpd` **or** `/etc/hosts.equiv` for UNIX hosts

When removing remote jobs from an OpenVMS host, use the LPRM command instead of the OpenVMS DELETE/ENTRY command. LPRM removes files from the TCPWARE\_LPD\_SPOOL directory, whereas DELETE/ENTRY does not.

The LPRM command displays a message only when it removes a job or encounters an error. If it does not delete a job (such as when the queue is empty), a message does not appear.

You can specify up to 50 jobs and 50 usernames on one LPRM command line.

### Format

**LPRM** [**-P** *printer*] [*job-number ...*] [*username ...*] [**-**]

TCPware converts all uppercase letters to lowercase unless you enclose them in quotation marks ("").

If you omit a *job-number* or *username* and you own the job that is currently active, TCPware removes the job.

### Parameters

#### **job-number**

Specifies which job you want removed from the remote queue. If you omit this parameter, TCPware removes the currently active job.

Use the LPQ command to display the *job-number* of a job.

#### **username**

Specifies the owner of the jobs you want removed from the remote queue. TCPware removes all jobs the specified user owns.

You can remove jobs that you do not own from a remote queue only under these conditions:

- The remote host is an OpenVMS host
- Your local account is mapped to an OpenVMS username that has OPER privilege on the remote host

Use the LPQ command to display the *usernames* for all jobs.

## Options

**-"P"printer@host**

**-"P"logical-name**

Specifies a remote printer. If you omit this option, TCPware removes the job from the queue the TCPWARE\_LPR\_PRINTER logical defines.

**"\_"**

If you have OpenVMS OPER privileges on the local host, this option removes all jobs your local host submitted to the remote queue. Otherwise, it removes only your jobs.

Place quotation marks (" ") around this option if it is the last character on the command line because OpenVMS treats trailing hyphens as continuation line indicators.

Do not enter this option when you enter the *job-number* or *username* parameters.

## Examples

- 1 This command removes your currently active job from the default remote print queue:

```
LPRM
```

- 2 This command removes all jobs that belong to user smith from the lp queue on host daisy:

```
LPRM -"P"lp@daisy SMITH
```

- 3 This command removes jobs 489, 490, and 495 from the default remote print queue. You can issue this command if you own these jobs, or you have OpenVMS OPER privilege on the remote host:

```
LPRM 489 490 495
```

- 4 If you have OpenVMS OPER privilege on the local host, this command removes all jobs from the default remote print queue. If you do not have this privilege, this command removes only the jobs you own.

```
LPRM " - "
```

## PRINT

Queues jobs for printing on a local or remote printer.

Useful for sending a print job to a printer attached to a terminal server.

For details on Terminal Server Print Services implementation, see the /QUEUE qualifier.

The OpenVMS process that controls OpenVMS queues determines the remote printer by checking the following items in this order:

- 1 The TCPWARE\_LPR\_*qname*\_PRINTER system logical
- 2 The /PARAMETERS qualifier
- 3 The TCPWARE\_LPR\_*qname*\_PRINTER\_DEFAULT system logical

Information in this section applies only to using the TCPware for OpenVMS PRINT command with LPS and Terminal Server Print Services.

HP OpenVMS documentation provides complete information on the PRINT command.

### Format

**PRINT** *file-spec[, file-spec...]*

### Parameter

**file-spec**

Specifies the file (or files if separated by commas) you want printed.

### Qualifiers

**/COPIES=*n***

Prints multiple copies of output, where *n* is the number of copies.

If you place this qualifier immediately after the PRINT command, each file listed in the command string prints *n* times. (The same effect occurs when you use the **-#number** option with the LPR command.) If you place this qualifier after a file specification, only that file prints *n* times.

**/FORM=*form-name***

Specifies the name or number of the form you want associated with the print job. If omitted, the default form for the execution queues with the job.

Forms have attributes such as print image width and length or paper stock. To see which forms are defined for your system, use the SHOW QUEUE/FULL command.

***/NAME=job-name***

Names the job. If you do not use this qualifier, the job name is the name and extension of the first file in the job. This name displays on the screen when you use the LPQ command to request queue information, and on the flag page.

This qualifier is equivalent to the "**J**" option used with the LPR command.

***/NOFLAG***

Suppresses printing of the burst page.

This qualifier is equivalent to the "**h**" option used with the LPR command.

***/NOTE=string***

Names the job classification you want used on the burst page. If you omit this qualifier, the job classification is the domain name of the local host.

***/PARAMETERS=(parameter-1[,...,parameter-8])***

Allows you to specify UNIX LPR command options that do not have OpenVMS equivalents. If you enter only *parameter-1*, you can omit the parentheses. You can enter up to eight parameters:

<b>parameter-1</b>	sends jobs to a specific remote printer. Enter either a system logical name or <i>printer@host</i> . This parameter overrides the printer defined by the TCPWARE_LPR_qname_PRINTER_DEFAULT logical. If you choose to use the default printer and want to enter subsequent parameters in the same command line, you must enter double quotation marks (" ") in place of <i>parameter-1</i> .
<b>parameter-2 through parameter-8</b>	specify the following LPR UNIX options: c, d, g, i, l, m, n, o, p, t, T, v, x, w, z, 1, 2, 3, 4. You can use leading hyphens, but they are not required. Enclose the option in quotation marks (for example, "t"). (The f option is unnecessary; the OpenVMS process that controls OpenVMS print queues automatically specifies this filter for FORTRAN carriage control files.)

Each parameter can include more than one option. However, you must enclose all options within the same set of quotation marks (for example, "m g", "i d")

**Note!** Some LPD servers that reside on non-UNIX hosts (such as the one provided by TCPware) do not support the following LPR UNIX options: -p, -t, -n, -d, -g, -v, -c, -i, -w, -z, -1, -2, -3, -4.

***/PASSALL/NOPAGE***

Uses a transparent filter so that you can send data to the printer unchanged. Note that this command qualifier DOES NOT convert the file to STREAM-LF format. This qualifier is equivalent to the -l option used with the LPR command.

When using \*-to-OpenVMS printing, the /PASSALL qualifier prints text files without carriage

returns (CRs). Use this option mainly with BINARY data or a file that contains all of the characters (including CRs) that you want sent to the printer.

If you use LPS and issue the PRINT command, the printing process ignores the /BURST, /CHARACTERISTIC, /HEADER, /PAGES, /SETUP, /SPACE, and /TRAILER OpenVMS PRINT qualifiers. All other OpenVMS PRINT qualifiers work the same as they normally do with OpenVMS.

### **/QUEUE=qname**

Specifies a print queue that can send the job to a local or remote printer. If you omit this parameter with Line Printer Services, the job goes to the SYS\$PRINT queue.

The /QUEUE parameter is necessary when generating a print request on a remote printer attached to a terminal server (when using the Terminal Server Print Services). Once the server initializes and starts the print queue for a terminal server print job, you can generate a print request on the terminal printer as follows:

```
PRINT/QUEUE=qname filename
```

The *qname* parameter is the name of the print queue, and the *filename* parameter specifies the data file or files you want used. The standard OpenVMS qualifiers are available.

## **VMSLPR Symbiont**

By default the VMSLPR symbiont generates a flag page locally using the VMS print symbiont and suppresses the banner page generated by the LPD server. You can make the VMSLPR symbiont request a banner page from the LPD server on a specific queue by defining the logical:

```
$ DEFINE/SYSTEM/EXEC TCPWARE_VMSLPRSMB_<queue-name>_REMOTE_BANNER "TRUE"
```

To enable this functionality on all VMSLPR symbionts, define the logical:

```
$ DEFINE/SYSTEM/EXEC TCPWARE_VMSLPRSMB_REMOTE_BANNER "TRUE"
```

The following logical has been added to the VMSLPR symbiont allowing you to define the number of characters you want removed from the end of a print job.

```
$ DEFINE/SYS/EXEC TCPWARE_VMSLPRSMB_<queue-name>_TRIMTAIL #
```

- # is a numeric value indicating the number of characters to remove from the end of each print job. If not specified, the default value is 2.

## **Examples**

1 This command prints the file MEMO.TXT on the remote default printer:

```
PRINT/QUEUE=LPR$PRINT MEMO.TXT
```

2 This command sends the file MEMO.TXT to the SYS\$PRINT queue, which is usually a local printer:

```
PRINT MEMO.TXT
```

- 3 This command prints the file MEMO.TXT on the lp printer at host DAISY. You can enter this command only if you did not define the system logical TCPWARE\_LPR\_LPR\$PRINT\_PRINTER.

```
PRINT/QUEUE=LPR$PRINT /PARAMETERS="lp@DAISY" MEMO.TXT
```

- 4 This command:

```
PRINT/QUEUE=LPR$PRINT /PARAMETERS=("lp@DAISY", "m", "t") MEMO.TXT
```

Is identical to the previous example, with these additions:

- The user who issued the command receives a mail message when the job completes.
- The file contains UNIX troff commands.

- 5 This command is identical to the previous example except that *parameter-1* is omitted:

```
PRINT/QUEUE=LPR$PRINT /PARAMETERS=("", "m", "t") MEMO.TXT
```

The result is that the file MEMO.TXT goes to the printer defined by the TCPWARE\_LPR\_LPR\$PRINT\_PRINTER\_DEFAULT logical.

## PRINT Command Options

Print command options are specified using the OpenVMS standard /PARAMETERS qualifier. The list of options is enclosed in parenthesis. For example,

```
$ PRINT /QUEUE=IPP_PRINTER_1
/PARAMETER=(COPIES=3, ORIENTATION=LANDSCAPE) FILE.TXT
```

These options are not case sensitive. The underscores in the option names are optional. Each may be abbreviated as long as the result is not ambiguous.

The available print command options are:

**PRINTER=*printer\_uri***

Specifies the target printer when the queue default is not desired, or when there is no queue default. The printer URI specified must match at least one of the defined printer\_uri's for the print queue.

Wildcards cannot be used in the printer URI.

**COPIES=*number***

Specifies the number of copies of each document to print. The default value is 1.

**SIDES=*keyword***

Specifies how the printing is to be placed on the paper. The *keyword* must be one of the following:

- ONE-SIDED or 1sided: prints each consecutive page upon one side of consecutive media sheets.
- TWO-SIDED-LONG-EDGE or two-long-edge or 2long\_side: prints each consecutive pair of pages upon the front and back sides of consecutive media sheets, with the orientation of each pair of pages on the long edge. This positioning is called “duplex” or “head-to-head” also.
- TWO-SIDED-SHORT-EDGE or two-short-edge or 2short\_side: prints each consecutive pair of pages upon front and back sides of consecutive media sheets, with the orientation of each pair of

print-stream pages on the short edge. This positioning is called “tumble” or “head-to-toe” also.

**ORIENTATION=*keyword***

Specifies the page orientation. The *keyword* must be one of:

- PORTRAIT
- REVERSE\_PORTRAIT
- LANDSCAPE
- REVERSE\_LANDSCAPE

These can be abbreviated to any non-ambiguous prefix. Case is ignored.

**[NO]FLAG**

Requests, or suppresses, the printing of an IPP flag page for the job. The printer may, or may not, respond to this request. The exact format of this flag page is up to the IPP Server (printer) implementation.

**NUMBER\_UP=*number***

Specifies the number of page images to be placed on each side of each sheet of paper. The number must be an integer that is acceptable to the IPP server. If the number specified is not a value supported by the server, the job aborts.

**DOCUMENT\_FORMAT=*MIME-media-type* or  
DOCUMENT\_FORMAT=\*\*\**printer\_default*\*\*\***

Specifies the document format of the files in the job, or specifies use of the printer's built-in default. The default for this qualifier is the default for the queue. Also, if the queue configuration does not specify a default document format, the hard coded default is "text/plain".

**JOB\_PRIORITY=*integer***

Specifies the priority of the print job at the IPP server (not to be confused with the OpenVMS queue priority). 1 is the lowest, 100 is the highest.

**FINISHINGS=*“keyword[,keyword]...”***

Specifies finishing operations to be performed on the printed documents. May or may not be supported by a given IPP server. Any or all of the four available finishings may be specified. Case is ignored.

- BIND
- COVER
- PUNCH
- STAPLE

**MULTIPLE\_DOCUMENT\_HANDLING=*keyword***

Specifies how you want the printer to print your job. The *keyword* is one of the following:

- Single\_Document or 1Document
- Separate\_Documents\_Uncollated\_Copies or UncollatedSeparate



- Separate\_Documents\_Collated\_Copies or CollatedSeparate
- Single\_Document\_New\_Sheet or NewSheet

Case is ignored. See /MULTIPLE\_DOCUMENT\_HANDLING\_DEFAULT=keyword in Chapter 15 of the *TCPware Management Guide* for information on single document, separate-documents-uncollated-copies, separate-documents-collated-copies, and single-document-new-sheet handling.

**PAGE\_RANGES="range[,range]..."**

Specifies the page numbers to print. *range* is either a single integer page number, or a pair of page numbers, separated by a hyphen. Multiple range specifications are separated by commas and enclosed in double quotes.

For example:

```
$ PRINT/QUEUE=IPP_QUEUE/PARAM=(PAGE_RANGES="1,3-6, 9, 10, 12-14")
FILE.TXT
```

Note that embedded spaces are allowed, and ignored. The example specifies the pages: 1, 3, 4, 5, 6, 9, 10, 12, 13, and 14.

**MEDIA=name**

This attribute identifies the medium that the Printer uses for all pages of the Job.

The values for "media" include medium-names, medium-sizes, input-trays and electronic forms. See your printer documentation for details concerning what values are supported for your printer.

Standard keyword values are taken from ISO DPA and the Printer MIB and are listed in section 14 of RFC 2566. Some servers may support definition of locally created names as well.

See Table 5-1 and Table 5-2 for the standard media names.

**QUALITY=keyword**

Specifies the quality of the printed material. Case is ignored. The keyword choices are:

- DRAFT
- HIGH
- NORMAL

Table 5-1 contains examples of standard names. These names include, but are not limited to the following:

**Table 5-1 Standard Media Names**

Name	Description
default	The default medium for the output device
iso-a4-white	Specifies the ISO A4 white medium

**Table 5-1 Standard Media Names**

iso-a4-colored	Specifies the ISO A4 colored medium
iso-a4-transparent	Specifies the ISO A4 transparent medium
na-letter-white	Specifies the North American letter white medium
na-letter-colored	Specifies the North American letter colored medium
na-letter-transparent	Specifies the North American letter transparent medium
na-legal-white	Specifies the North American legal white medium
na-legal-colored	Specifies the North American legal colored medium
na-9x12-envelope	Specifies the North American 9x12 envelope medium
monarch-envelope	Specifies the Monarch envelope
na-number-10-envelope	Specifies the North American number 10 business envelope medium
na-7x9-envelope	Specifies the North American 7x9 inch envelope
na-9x11-envelope	Specifies the North American 9x11 inch envelope
na-10x14-envelope	Specifies the North American 10x14 inch envelope
na-number-9-envelope	Specifies the North American number 9 business envelope
na-6x9-envelope	Specifies the North American 6x9 inch envelope
na-10x15-envelope	Specifies the North American 10x15 inch envelope
executive-white	Specifies the white executive medium
folio-white	Specifies the folio white medium
invoice-white	Specifies the white invoice medium
ledger-white	Specifies the white ledger medium
quarto-white	Specifies the white quarto medium
iso-a0-white	Specifies the ISO A0 white medium
iso-a1-white	Specifies the ISO A1 white medium
a	Specifies the engineering A size medium
b	Specifies the engineering B size medium
c	Specifies the engineering C size medium
d	Specifies the engineering D size medium

**Table 5-1 Standard Media Names**

e	Specifies the engineering E size medium
---	---

The following standard values are defined for input-trays:

**Table 5-2 Input Tray Names**

Name	Description
top	The top input tray in the printer.
middle	The middle input tray in the printer.
bottom	The bottom input tray in the printer.
envelope	The envelope input tray in the printer.
manual	The manual feed input tray in the printer.
large-capacity	The large capacity input tray in the printer.
main	The main input tray
side	The side input tray

## Submitting Jobs to IPP Symbiont Print Queues

This section describes how to submit jobs to the IPP symbiont print queues.

### Printing a Single Text File to an IPP Queue

Print the file FOO.TXT to the IPRINTER (default destination printer) set up in the prior examples:

```
$ PRINT/QUEUE=IPRINTER_QUEUE foo.txt
```

### Specifying the Destination Printer on the Print Command

Print a single text file to a non-default printer on a queue with a wild carded printer URL:

```
$ PRINT /QUEUE=iprprinter_queue -
_ $ /PARAM=(printer="ipp://another.mynet.com/ipp/port1") foo.txt
```

**Note!** The above will fail unless the queue specifies *another.mynet.com* as a legal URL, either explicitly or by using wildcards.

### ***Using Other Print Qualifiers***

Print a text file to a default printer on a queue but specify the document format and additional copies:

```
$ PRINT /QUEUE=iprinter_queue-_$  
_$ /PARAM=(document="text/plain" copies=3) foo.txt
```

## **TCPWARE IPP SHOW Command**

The TCPWARE IPP SHOW utility allows a user to learn the capabilities supported by an IPP server. This utility queries the server and displays the supported attributes. The program can be used to check on the capabilities of a given server. When called from a DCL script or other program, it can be used to gather information about a number of printers, or used to match printer capabilities with the needs of a given print job.

For detailed information on the IPP SHOW command, see Chapter 15 of the *TCPware Management Guide*.

# RCD and RMT: Remote CD-ROMs and Tapes

## Introduction

The Remote Magnetic Tape (RMT) Client and Remote Compact Disc (RCD) Client provide access to tape drives and CD-ROM drives, respectively, on remote TCP/IP systems. This chapter describes how to set up RMT and RCD on your OpenVMS system so that you can use the commands typically associated with tape and CD-ROM drives, such as BACKUP, MOUNT, COPY, and EXCHANGE.

## RMT Client and RCD Client

To use a remote tape or CD-ROM, you must first "connect" to the server system with the RMTSETUP command, which creates a pseudodevice. You can then use OpenVMS commands such as BACKUP, MOUNT, COPY, and EXCHANGE. These are the same commands issued directly to the physical tape or CD-ROM device on the server. When you conclude the activity, you can discard the pseudodevice using the DEALLOCATE command.

Note that not all tape drives or CD-ROM drives can fully support use of the RMT Client and RCD Client. For example, quarter-inch tape drives on UNIX systems typically support only fixed-length, 512-byte records. You cannot use these tapes with the OpenVMS COPY or BACKUP commands because the latter require variable-length records.

An attempt to perform an unsupported operation to a remote device results in a %SYSTEM-E-UNSUPPORTED error message.

## Troubleshooting

You can lose the TCP/IP connection between the RMT or RCD client and server if:

- An RMT or RCD server receives a command that it does not recognize. Rather than returning an error message, it simply closes the connection.

- A bug in an RMT or RCD server causes it to crash.
- If the RMT or RCD server (or its system) crashes or is shut down.

In these situations, the RMT Client or RCD Client detects the loss of the TCP/IP connection and returns the following error message for all subsequent commands:

```
%SYSTEM-F-LINKABORT, network partner aborted logical link
```

The only alternative at this point is to deallocate the existing device and reconnect to the server (when it becomes available) by running RMTSETUP again.

## RMTSETUP

Configures an RMT or RCD pseudodevice, `_RMTn:` or `_RCDn:`, respectively, on your local OpenVMS system. In this way you can perform functions on remote magnetic tape or CD-ROM drives connected to an RMT or RCD server. The remote RMT or RCD server must support the `rmt` protocol.

Connecting to a remote CD-ROM drive requires the `/CD` qualifier. You can connect to the remote host with a different username by specifying the optional `/USERNAME` qualifier on the command line.

### Format

**RMTSETUP** *host remote-device [logical]*

### Parameters

#### host

Name or internet address of the host on which the remote tape or CD-ROM drive resides. This host must have an RMT server available.

#### remote-device

Name of the remote tape device (such as `MKB500:`) or CD-ROM device (such as `DKA200:`) on the RMT server. If sending the device and any server options to a non-TCPware server, you must enclose this information in double quotes, such as `"/dev/rst0"` for a UNIX server with "read-only" privileges.

#### logical

Optional OpenVMS logical assigned to the newly created pseudodevice. If omitted, RMTSETUP uses the logical name `TCPWARE_TAPE` for tapes and `TCPWARE_DISK` for disks.

### Qualifiers

Not all RMT servers support the following RMT Client qualifiers as options or qualifiers. For UNIX servers, for example, you must include options as part of *remote-device* as a quoted string. For example, `"/dev/mt0"` is a stream device and `"/dev/rmt0"` is a non-stream device. With a TCPware RMT server, where *remote-device* is not a quoted string, the Client qualifiers that are also server qualifiers are sent to the server.

**/ASSIST** (default)

**/NOASSIST**

Action to take when the device cannot mount on the remote system. With `/ASSIST`, operator messages appear on the remote system indicating corrective action to take (if supported). With `/NOASSIST`, only a local message appears. Not allowed when used with `/CD`.

**Note!** The BACKUP command's `/ASSIST` and `/NOASSIST` qualifiers further direct messages to the local operator and user, respectively.

**/BLOCKSIZE=*size***

Default block size of the remote tape device. Not allowed when used with /CD.

**/CD**

Indicates that the remote device is a CD-ROM device.

**/COMMENT="*string*"**

Used with the /ASSIST qualifier to send a message to the remote operator when a mount operation fails. Not allowed when used with /CD.

**/DENSITY=*density***

Density, in bits per inch, at which to write the remote tape. Not allowed when used with /CD.

**/LOG****/NOLOG** (default)

Displays log information during RMTSETUP execution.

**/MOUNT** (default)**/NOMOUNT**

/MOUNT allows the user exclusive access to the device. /NOMOUNT disables exclusive access to the device. /NOMOUNT also prevents a remote tape from rewinding when deallocating the pseudodevice on the client. Not allowed when used with /CD.

You cannot combine /NOMOUNT with /ASSIST, /BLOCKSIZE, /COMMENT, or /DENSITY.

Use /NOMOUNT carefully since it allows multiple users access to the same device.

**/PASSWORD[=*password*]****/NOPASSWORD**

/PASSWORD sets the password to access the remote system and causes the RMT server to use the *rexec* rather than the *rshell* service. The *password* is converted to lowercase unless you enclose it in quotes. /NOPASSWORD uses the *rexec* service with a blank password. Without either qualifier, access to the remote tape device is controlled through the `TCPWARE:HOST.EQUIV` and `SYS$LOGIN:.RHOSTS` files. Use together with /USERNAME.

Using the *password* value can pose a security risk. Also, using a null password for which you have to be prompted can cause an error in a command procedure.

**/REWIND** (default)**/NOREWIND**

/REWIND rewinds a tape before its initial use. /NOREWIND causes the tape to stay in an arbitrary position after running RMTSETUP. Not allowed when used with /CD.

**/STREAM****/NOSTREAM** (default)

A tape is normally written as a series of records. /STREAM ignores record boundaries and returns data read from the tape as a stream of bytes (the UNIX model). Not allowed when used with /CD.



Most OpenVMS utilities expect tape drives to operate in non-stream mode, so take care in overriding the /NOSTREAM default.

**/TRUNCATE\_USERNAME[=*length*]**

Truncates the username sent to the RMT server to the specified *length* to accommodate requirements of some non-OpenVMS systems. The default *length* is 8.

**/UNLOAD** (default)

**/NOUNLOAD**

/UNLOAD unloads the remote device when deallocating the local RMT pseudodevice.

/NOUNLOAD disables this. Note that a DCL MOUNT or DISMOUNT with /UNLOAD or /NOUNLOAD overrides the RMTSETUP /UNLOAD or /NOUNLOAD. Not allowed when used with /CD.

**/USERNAME=*username***

Username for access to the remote system. If omitted, the username of the client process is sent to the server (subject to truncation by /TRUNCATE\_USERNAME). *Username* is converted to lowercase unless you enclose it in quotes. Use together with /PASSWORD.

**/WRITE** (default)

**/NOWRITE**

Writing to the remote tape is usually enabled. /NOWRITE is a precautionary measure to prevent a remote tape from being written. Not allowed when used with /CD.

## Examples

- 1 This example uses tape drive MKB500: on remote OpenVMS system IRIS to back up all the TCPWARE data files that start with SM. The tape is left loaded in the drive after its use (/NOUNLOAD). MYTAPE is the logical name for the \_RMT9: device created.

```
$ RMTSETUP IRIS MKB500: MYTAPE /NOUNLOAD /LOG
Connecting to RMT server on host IRIS through port 514 (rsh)
Opening MKB500:/NOSTREAM/NOUNLOAD
_RMT9: created
$ BACKUP /LOG TCPWARE:SM*.DAT MYTAPE:TCPWARE.BCK /SAVE_SET
%MOUNT-I-MOUNTED, TEST1 mounted on _RMT9:
%BACKUP-S-COPIED, copied SYS$SPECIFIC: [TCPWARE] SM.DAT;1
%BACKUP-S-COPIED, copied SYS$SPECIFIC: [TCPWARE] SM_BAK.DAT;1
$ DISMOUNT MYTAPE /NOUNLOAD
$ DEALLOCATE MYTAPE
```

- 2 This example requests access to tape drive /dev/rst0 on a remote UNIX system, using a username and password. The initialize command was unrecognized by the tape drive on the UNIX system and rejected. The tar utility examines the contents of the tape, which was written from the UNIX system. (tar is available over the network and is an alternative to the EXCHANGE utility).

```
$ rmtsetup sigma.nene.com "/dev/rst0" -
_ $ /username=system /password
Password for root on host SIGMA.NENE.COM:
```

```
$ initialize tcpware_tape test
%INIT-F-UNSUPPORTED, unsupported operation or function
$ mount /foreign /record_size=512 tcpware_tape
$ tar -ftv tcpware_tape
644  4069 Jun 1 16:29:21 2001 /etc/hosts
End of Tar file found.
Do you wish to move past the EOF mark (y/n)? n
$ dismount tcpware_tape
$ deallocate tcpware_tape
```

- 3 This example requests access to CD-ROM drive DKA100: on remote host roman, mounts the CD-ROM using MY\_CD as the logical name, and requests a directory listing:

```
$ rmtsetup /cd /log roman dka100: my_cd
Connecting to RCD server on host ROMAN through port 514 (rsh)
Opening DKA100:
_RCD1: created
$ mount my_cd /override=id
%MOUNT-I-WRITELOCK, volume is write locked
%MOUNT-I-MOUNTED, OPENVMS062  mounted on _ALTARF$RCD1:
$ dir my_cd:[0,0]
```

# Chapter 7

---

## RCP: Copying Files

### Introduction

The Remote Copy Program (RCP) is a command you can use to copy files between your local OpenVMS host and a remote host. TCPware provides RCP as part of the FTP-OpenVMS product.

For the FTP utility commands, see Chapter 3, *FTP: Transferring Files*. Use the RCP command to copy remote files. You can copy files:

- From a remote host to your host
- From your host to a remote host
- From one remote host to another remote host (a "third-party" copy)

**CAUTION!** If you are using RCP with Kerberos version 4 authentication in a third-party copy, only the first connection uses Kerberos. The second connection uses standard authentication, in which case the username and password pass through the network as clear text.

Before you use RCP, your system manager must install and configure the TCPware FTP-OpenVMS product and enable the shell service during TCPware R Services configuration.

Also, make sure your host or username is registered in the remote system's `~/ .rhosts` (if UNIX) or `SYSS$LOGIN:.RHOSTS` file (if OpenVMS). To use Kerberos version 4 authentication with the remote host, be sure your username and Kerberos realm are in the remote host's `~/ .klogin` file (if UNIX) or `SYSS$LOGIN:.KLOGIN` file (if OpenVMS).

To use Kerberos version 4 authentication, your system manager must enable the `kshell` service during TCPware's Kerberos Services configuration. If you request Kerberos authentication, RCP tests for it first. If the test fails, RCP uses standard authentication instead.

With Kerberos V4 authentication, you can specify the Kerberos realm using the `/REALM` qualifier. If omitted, the `TCPWARE_KERBV4_REALM` logical value determines the realm.

If you need to preserve case for any of the command elements, enclose each in quotes, since RSH lowercases unquoted text strings. Include a pair of quotes for each redirection of the command. If you are redirecting a command through one remote host to have it executed on a third, each host in

turn strips off a pair of quotes after interpreting the command. In this case, you may need three pairs of quotes around the command element in order to preserve case.

## RCP

Copies files between the local and remote host, or between two remote systems.

### Format

**RCP** *source destination*

### Parameters

#### source

Source host and pathname information, in the general format:

#### host:filespec

- *host* is the remote host name followed by a colon (:).
- *filespec* is different for UNIX and OpenVMS systems:
  - For UNIX system source hosts, use the absolute pathname (such as `/etc/user/hosts`) or the one relative to the user's home directory (`hosts`).
  - For OpenVMS source hosts, use the format `[dir]file.typ`, or `file.typ`, which assumes the current directory.

If you include a *username* or *device*, use the following format:

**"username@host:device:filespec"**

If you include a username and want to copy from a remote host, the remote host must include your host (and username) in its host equivalence file. If you do not use the above format, use the `/USER`, `/PASSWORD`, and `/TRUNCATE` qualifiers.

**Note!** Do not use `/USER` or `/PASSWORD` when using DECnet syntax for a source or destination:

`host "username password" : : filespec`

You also cannot use DECnet syntax for both source and destination (as for a remote-to-remote copy) that involves two passwords.

#### destination

Destination host and pathname information, in the same format as source.

### Qualifiers

**/AUTHENTICATION[=*auth-type*]**

Determines the authentication method. If `KERBV4` (or you omit the value), uses Kerberos v4 authentication. If `NULL` (or you omit the qualifier), uses standard authentication.

**/LOG**

Logs the files copied to or from the local system. The default is not to log. Logging only applies to the first remote host transaction in a third-party copy.

**/VMS**[={MULTINET | TCPWARE (default)}]  
**/NOVMS**

If /VMS is omitted, RCP by default attempts a TCPware style VMS mode transfer. This retains VMS file attributes across copies. Use /VMS=MULTINET to do a transfer involving a MultiNet machine. Use /NOVMS only if you get the error %DCL-W-IVKEYW, unrecognized keyword - check validity and spelling with the RCP command. /NOVMS disables maintaining VMS file attributes during a third-party copy.

**/PASSWORD**=*remote-password*

Password for the remote account. Use with the /USER qualifier. Do not use with DECnet source or destination syntax.

**CAUTION!** The password is sent across the network as plain text.

**/PRESERVE**

**-P**

Preserves the file protection mode and modification date during a copy. /PRESERVE and **-P** are equivalent.

**/REALM**=*realm*

Assigns the name of the Kerberos realm. Use if the Kerberos Server resides in a different realm than the local host. Use with the /AUTHENTICATION=KERBV4 qualifier and value. The RCP client converts *realm* to lowercase unless you enclose it in quotes.

**/RECURSIVE**

**-r**

Recursively copies each subtree rooted at the directory you specify in the UNIX system *filespec*. This makes it possible to copy entire UNIX system directories and their files. In OpenVMS, specify [*dir...*] (with the three trailing dots) in the *filespec* instead of using /RECURSIVE. **-r** is the UNIX system equivalent.

**/USER**=*remote-username*

User on the remote host. Use only if the remote host's ~/.hosts or .HOSTS file does not include your local host name or username. If necessary, truncate username to the required number of characters using the /TRUNCATE qualifier. Converted to lowercase if not enclosed in quotes. Do not use with DECnet file syntax.

**/TRUNCATE**[=*n*]

Truncates the username to the specified *n* number of characters, since some UNIX systems restrict the length of usernames. If you omit *n*, the default is eight characters.

## Examples

- 1 This command copies a remote UNIX system source file in its home directory to a local host file of the same name in the current directory. The copy preserves the source file's protection mode and modification date.
 

```
rcp /preserve unixhost:src_file []
```
- 2 This command copies the complete remote UNIX system directory tree ~/src\_dir to the local subdirectory DST\_DIR, while logging the copy of each file:
 

```
rcp /recursive/log unixhost:src_dir [.dst_dir...]
```
- 3 The first of these two commands only copies the .src\_dir subdirectory to a UNIX system. The second command copies the whole subtree.
 

```
rcp /recursive [.src_dir] unixhost:dst_dir
rcp [.src_dir...] unixhost:dst_dir
```
- 4 This command copies the complete local subdirectory tree SRC\_DIR to a remote OpenVMS host's destination directory while preserving the directory hierarchy:
 

```
rcp [src_dir...] vmshost:[dst_dir...]
```
- 5 This command copies all files under the local SRC\_DIR directory to a remote OpenVMS host's destination directory. This does not preserve the copied directory's hierarchy:
 

```
rcp [src_dir...] vmshost:[dst_dir]
```
- 6 This command copies all directories and files under the local SRC\_DIR directory to a remote OpenVMS host user's login directory on the DKA300: device (use the double quotes):
 

```
rcp [src_dir...] "vmshost:dka300:[login...]"
```
- 7 This command copies the local SRC\_FILE on device DKA100: to dst\_file on a remote host. Double quotes are needed to specify a device name. The /NOVMS qualifier allows RCP to copy compatibly to an OpenVMS host running HP TCP/IP Services for OpenVMS (UCX).
 

```
rcp /novms " :dka100:[src_dir]src_file" ucx_host:dst_file
```
- 8 This command copies the local SRC\_FILE to ~some/dst\_file if the remote host is a UNIX system, or [some-login-directory]DST\_FILE if the remote host is OpenVMS. (RCP truncates the someone username to some.) In this case, the remote host does not have a host equivalence file entry for the local host, requiring /USER and /PASSWORD.
 

```
rcp /user=someone/pass=password/truncate=4 src_file host:dst_file
```
- 9 Each command copies a UNIX system file to the local host's current directory. The -p switch in the first command precludes having to use double quotes around the UNIX system file specification. The second command is the equivalent without the -p switch.
 

```
rcp -p unixhost:/usr/users/src_file []
rcp "unixhost:/usr/users/src_file" []
```
- 10 This command copies a file from one remote host to another (a "third-party" copy):
 

```
rcp remotehost1:file1 remotehost2:file2
```
- 11 This command copies a remote UNIX system source file in its home directory to the DST\_FILE filename on the local host under the current directory. Uses Kerberos V4 authentication. The Kerberos Server and its database reside in the realm daisy.com.
 

```
rcp /auth=kerbv4 /realm=daisy.com unixhost:src_dir dst_file
```

- 12** This command copies all files under the local SRC\_DIR directory to a remote OpenVMS host's destination directory while preserving the directory hierarchy. Since the /AUTHENTICATION qualifier appears without a value, Kerberos V4 authenticates the user to the remote UNIX host. Because /REALM is omitted, the TCPWARE\_KERBV4\_REALM logical value determines the Kerberos realm.

```
rcp /auth [src_dir...] vmshost:[dst_dir...]
```

- 13** Using the /USER or /PASSWORD qualifier with DECnet syntax is not allowed and returns the error message shown:

```
rcp /user=user1 new.txt flower"user2 password":new.txt
TCPWARE-E-NOQUAL, /USERNAME qualifier not allowed with DECnet syntax
```

- 14** Using multiple passwords with DECnet syntax is not allowed and returns the error message shown:

```
rcp tree"user1 pass1":new.txt flower"user2 pass2":new.txt
TCPWARE-E-MULTPW, Multiple passwords not supported
```



# RLOGIN: Logging In to a Remote Host

## Introduction

RLOGIN is the Berkeley R Command utility you can use to log in to a remote host. RLOGIN provides a functionality similar to TELNET except that RLOGIN follows more of a UNIX format.

This chapter is a basic use summary of the RLOGIN command.

Before you use RLOGIN, be sure your host or username is registered in the remote system's `~/ .rhosts` file (if UNIX) or `SYSS$LOGIN:.RHOSTS` file.

See the *Management Guide*, Chapter 16, *Managing R Commands*, for information on host equivalence files.

To use Kerberos version 4 authentication with the remote host, make sure that your username and Kerberos realm are in the remote host's `~/ .klogin` file (if UNIX) or `SYSS$LOGIN:.KLOGIN` file (if OpenVMS).

To use Kerberos V4 authentication, your system manager must configure TCPware's Kerberos Services. You must also first get a ticket-granting ticket (TGT) from the Kerberos Server.

See Chapter 4, *Kerberos User Commands*, for details on getting a TGT.

With Kerberos V4 authentication, you can specify the Kerberos realm using the `/REALM` qualifier. If omitted, the `TCPWARE_KERBV4_REALM` logical value determines the realm.

RLOGIN first tries to use Kerberos V4 authentication if requested, then falls back to using standard authentication if Kerberos authentication fails.

To close an RLOGIN connection, simply log out of the remote system.

If you are designated by the system administrator as having password authentication using Token Authentication, you need to enter the PASSCODE in addition to the username and password at a separate `PASSCODE:` prompt. Depending on which type of SecurIDW card you were assigned, do one of the following:

- Enter a combination of your personal identification number (PIN) and the tokencode that appears on the card (with no separating space) at the `PASSCODE:` prompt

- Enter your PIN on the PINPAD] card and the resulting tokencode that appears on the card at the PASSCODE: prompt.

See Chapter 14, *Token Authentication: Protecting Logins*, for details on obtaining PASSCODEs.

## RLOGIN

Logs in to a remote host from your local host without entering a remote username and password. The remote host must provide `login` service (for standard authentication) or the `klogin` service (for Kerberos version 4 authentication).

You can log in to the remote host with a different username by specifying the `/USER` qualifier.

When RLOGIN starts up, it processes the flow control characters Ctrl/S and Ctrl/Q locally unless the remote host instructs otherwise. RLOGIN passes all other keystrokes directly to the remote process and perform according to conventions established on the remote host.

The special RLOGIN commands in Table 8-1 are available once you start the connection to the remote host. Enter the special RLOGIN commands as the first character on a line.

**Table 8-1 Special RLOGIN Commands**

Command	Purpose
~.	Closes the connection and exits RLOGIN.
~^Z	Spawns a subprocess on the local host and connects <code>SYSS\$INPUT</code> , <code>SYSS\$OUTPUT</code> , and <code>SYSS\$ERROR</code> to that process. When the subprocess logs out, control returns to the remote session.
~~	<b>Note!</b> You cannot spawn with <code>CAPTIVE</code> accounts.  Sends a single tilde to the remote system.

### Format

RLOGIN *host*

### Parameter

**host**

Name or internet address of the remote host where you want to log in.

### Qualifiers

**/AUTHENTICATION[=*auth-type*]**

Determines the authentication method. If `KERBV4` (or you omit the value), uses Kerberos v4 authentication. If `NULL` (or you omit the qualifier), uses standard authentication.

**/EIGHTBIT**

Accepts eight-bit data from the terminal and sends it to the remote system. The default is that only seven-bit data is sent.

**/ESCAPE\_CHARACTER=*char***

New escape character for issuing special RLOGIN commands. The default escape character is the ~ (tilde) character.

To close your session from your local host, use a period (.) as the escape command.

**/LOG=*file***

Logs a copy of the output to the specified file. Output continues to be directed to SYS\$OUTPUT while it is being recorded in the log file. The default is no logging.

**/LOWERCASE (default)****/NOLOWERCASE**

/LOWERCASE sends your local username to the remote host in lowercase (the default).

/NOLOWERCASE preserves any uppercase characters in the local username.

**/REALM=*realm***

Assigns the name of the Kerberos realm. Use if the Kerberos Server resides in a different realm than the local host. Use with the /AUTHENTICATION=KERBV4 qualifier and value. RLOGIN converts *realm* to lowercase unless you enclose it in quotes.

**/TERMINAL\_SPEED=*baud***

Terminal speed in baud rate. The default is the current speed of your terminal.

**/TERMINAL\_TYPE=*type***

Resets the current terminal type to the specified *type*. The allowable types you can use to override the current type are **VT100**, **VT200**, **VT300**, and **VT400**.

The remote terminal type is the same as the local terminal type. If the terminal's virtual size (rows, columns, or pixels) changes during the RLOGIN session, RLOGIN provides the remote host with the new information.

**/TRUNCATE[=*n*]**

Truncates the local OpenVMS username to *n* number of characters. The *n* value must be greater than zero or the command aborts with an error. The default is eight characters.

If the local username is also the remote username (if you omit the /USER qualifier), TCPware also truncates the remote username to the indicated length. However, it never truncates a remote username specified explicitly with the /USER qualifier.

**/USER=*remote-username***

Username on the remote host that is different from the username with which you are currently logged in to the local host. TCPware never truncates an explicitly specified remote username (see the /TRUNCATE qualifier). The *remote-username* is converted to lowercase unless you enclose it in quotes or use the /NOLOWERCASE qualifier.

## Examples

- 1 Each of these equivalent commands opens a connection to host IRIS using standard authentication:

```
RLOGIN IRIS
RLOGIN /AUTH=NULL IRIS
```

- 2 This command opens a connection to remote host IRIS, using Kerberos version 4 authentication. The Kerberos Server resides in the `daisy.com` realm.

```
RLOGIN /AUTH=KERBV4 /REALM=DAISY.COM IRIS /USER="Smith"
```

The quotes around Smith are necessary because the name contains a mix of upper- and lowercase characters that you would want to preserve in sending the command. Without the quotes, RLOGIN converts the name to lowercase, which then may not match the username on the remote host.

- 3 This command opens a connection to remote host IRIS, using Kerberos version 4 authentication. Because /REALM is omitted, the TCPWARE\_KERBV4\_REALM logical value determines the Kerberos realm.

```
RLOGIN/AUTH IRIS
```



# RSH: Issuing Commands on a Remote Host

## Introduction

RSH is the Berkeley R Command utility you can use to execute a single command on a remote host without logging in.

This chapter is a summary of using the RSH command.

Before you use RSH, make sure your host and/or username is registered in the remote system's `~/ .rhosts` file (if UNIX) or `SYSS$LOGIN:.RHOSTS` file (if OpenVMS)

See the *Management Guide*, Chapter 16, *Managing R Commands*, for details on host equivalence files.

To use Kerberos version 4 authentication with the remote host, make sure that your username and Kerberos realm are in the remote host's `~/ .klogin` file (if UNIX) or `SYSS$LOGIN:.KLOGIN` file (if OpenVMS).

To use Kerberos v4 authentication, your system manager must configure TCPware's Kerberos Services. You must also first get a ticket-granting ticket (TGT) from the Kerberos Server.

See Chapter 4, *Kerberos User Commands*, for details on getting a TGT.

If you request Kerberos authentication, TCPware tests for it first. If the test fails, standard authentication is used instead.

With Kerberos v4 authentication, you can specify the Kerberos realm using the `/REALM` qualifier. If omitted, the `TCPWARE_KERBV4_REALM` logical value determines the realm.

## RSH

Executes a single command on a remote host. The remote host must provide command execution service.

When the command completes execution on the remote host, the RSH command exits and closes the connection; you return to your local working environment.

RSH writes any output from the command to SYSS\$OUTPUT; it writes any error from the command to SYSS\$ERROR, unless overridden with the /OUTPUT or /ERROR qualifier.

Some servers (such as UNIX servers) send output with only line feeds for screen display. To satisfy OpenVMS screen displays, RSH inserts a carriage return by default before each line feed before sending the output to the terminal. If your screen display requires only a line feed, use the /RAW qualifier to bypass the default.

If you need to preserve case for any of the command elements, enclose each in quotes, since RSH lowercases unquoted text strings. Include a pair of quotes for each redirection of the command. If you are redirecting a command through one remote host to have it executed on a third, each host in turn strips off a pair of quotes after interpreting the command. In this case, you may need three pairs of quotes around the command element in order to preserve case.

### Format

**RSH** *host command*

### Parameters

#### **host**

Name or internet address of the host you want to execute the command on. Can be a domain-style name or an IP address.

#### **command**

Name of the command or command string to execute on the remote host.

### Qualifiers

**/AUTHENTICATION**[=*auth-type*]

Determines the authentication method. If *auth-type* is **KERBV4** (or you omit the value), Kerberos v4 authentication is used. If *auth-type* is **NULL** (or you omit the qualifier), standard authentication is used.

**/ERROR**=*file*

File or device to which to direct error messages from the remote command. The default is /ERROR=SYSS\$ERROR. (See also the /SYSERROR qualifier.)

**/LOG**=*file*

Logs a copy of the output to the specified file. Output continues to be directed to SYSS\$OUTPUT while it is being recorded in the log file. Not valid with /SYSERROR. The default is no logging.



***/OUTPUT=file***

Output file or device to which to direct output from the command. The default is `/OUTPUT=SYS$OUTPUT`.

***/PASSWORD=remote-password***

Password for the remote account. Use together with the `/USER` qualifier. The password is sent across the network as plain text.

***/RAW******/NORAW*** (default)

Prevents an extra carriage return from being inserted for screen display. Specifying `/NORAW` or omitting the qualifier places a carriage return before a line feed character before the line is written to the terminal.

***/REALM=realm***

Assigns the name of the Kerberos realm. Use if the Kerberos Server resides in a different realm than the local host. Use with the `/AUTHENTICATION=KERBV4` qualifier and value. *Realm* is converted to lowercase unless you enclose it in quotes.

If omitted, the Kerberos realm is determined by the `TCPWARE_KERBV4_REALM` logical value.

***/SYSERROR***

Same as the `/ERROR` qualifier except that it sends messages to the NLA0 device.

***/TRUNCATE[=n]***

Truncates the local OpenVMS username to the specified *n* length. The *n* value must be greater than zero or the command aborts with an error. The default is eight characters.

If the local username is also the remote username (if you omit the `/USER` qualifier), TCPware also truncates the remote username to the indicated length. However, it never truncates a remote username specified explicitly with the `/USER` qualifier.

***/USER=remote-username***

Remote host's username that is different from the username with which you are currently logged in to the local host. TCPware never truncates an explicitly specified remote username (see the `/TRUNCATE` qualifier). *Remote-username* is converted to lowercase unless you enclose it in quotes.

## Examples

- 1 This command opens a connection to host IRIS and displays the name of your current working directory:
 

```
rsh iris pwd
```
- 2 This command opens a connection to host IRIS for username "Smith" and displays the name of the working directory for "Smith":
 

```
rsh iris /user="Smith" pwd
```

The quotes around `Smith` are necessary because the name contains a mixture of upper- and lowercase characters that you would want to preserve in sending the command. Without the quotes, the name converts to lowercase and may not match the username on the remote host.

- 3 This command opens a connection to host IRIS and displays the name of your working directory in a "raw" state on a terminal that requires only line feeds to display the information:

```
rsh iris /raw pwd
```

- 4 This command executes a `pwd` command on ROSES as sent through VIOLET.

```
$ rsh violet /user=system /password=plastic -  
_ $ rsh roses /user=root/password="\"TCPware\"" pwd
```

The `TCPware` password is triple-quoted to preserve case through the transaction. The system strips off the first pair of quotes and executes `rsh roses /user=root/pass="\"TCPware\""`. VIOLET strips off the second set of quotes and executes `rsh roses /user=root/pass="TCPware"`. ROSES strips off the third and executes `pwd`. In each case, the password string is interpreted literally.

- 5 This command uses Kerberos version 4 authentication to open a connection to remote host IRIS. The Kerberos Server resides in the `daisy.com` realm. Also displays the name of your current working directory.

```
rsh /auth=kerbv4 /realm=daisy.com iris pwd
```

- 6 This command uses Kerberos version 4 authentication to open a connection to remote host IRIS and displays the name of your current working directory. Because `/REALM` is omitted, the `TCPWARE_KERBV4_REALM` logical value determines the Kerberos realm.

```
rsh /auth iris pwd
```

---

# Sending and Receiving Electronic Mail

This chapter describes how to use OpenVMS MAIL and ALL-IN-1 Mail with TCPware and covers the following major topics:

- Using OpenVMS mail across the network
- Using mail under ALL-IN-1 across the network

## Using OpenVMS Mail Across the Network

TCPware enhances OpenVMS Mail so you can send and receive mail across the network.

### *Specifying Addresses*

When you use OpenVMS Mail to send mail to a host outside your VMScluster, the message is sent via SMTP (Simple Mail Transfer Protocol). For this reason, you must specify the address so that SMTP accepts the mail correctly. The format for the address is:

```
To: SMTP%recipient@destination
```

The string SMTP and the destination system name are not case-sensitive; that is, you can type them in either uppercase or lowercase letters. The destination recipient specification may be case-sensitive, however, depending on the destination system's software. On some UNIX systems, ROOT and root specify two different user names (and hence different electronic mail addresses).

If the address contains a quote, enter the address with either \' or \s as shown in the following example formats:

```
To: SMTP%\'recipient@destination
```

or

```
To: SMTP%\srecipient@destination
```

If the address is on a local DECnet network, use this format:

To: **SMTP%nodename::username**

If the address is on a remote DECnet network, you may use this format:

To: **SMTP%'nodename::username'@destination"**

**Note!** TCPware assumes that an address containing a double colon (::) is a DECnet address. If an address contains a double colon and is not a DECnet address, SMTP does not handle it correctly.

If you know the recipient's IP address, but not the host name (or if the host name is not registered in the Domain Name System), specify the recipient address as follows:

To: **smtp%"recipient@[aa.bb.cc.dd] "**

where *aa.bb.cc.dd* is the destination system's IP address in dotted-decimal form. You must specify the IP address in square brackets.

The OpenVMS Mail utility also allows you to specify an addressee on the command line:

**\$ MAIL filename addressee**

To use this form of the command with TCPware, you must enclose the address in quotes (and you must double all existing quotes), as follows:

**\$ MAIL filename "smtp%"recipient@destination" "**

The following example shows the user sending mail using the OpenVMS MAIL utility to a user named John Smith with a user name of "johns" on system SALES.FLOWERS.COM.

```
$ MAIL
MAIL>SEND
To:      SMTP%"johns@sales.flowers.com"
Subj:    This is a test message.
Enter your message below. Press Ctrl/Z when complete, or
Ctrl/C to quit:
Hi John, this is a test of the TCPware extension to the VMS MAIL utility.
Ctrl/Z
MAIL>EXIT
$
```

You receive network mail as you would all other mail in the VMS MAIL utility. The following example shows the user "WHORFIN" reading an SMTP mail message sent by the user "johns."

```
$
New mail on node KAOS from SMTP%"johns@sales.flowers.com" "John Smith"
$ MAIL
You have 1 new message.
MAIL>READ/NEW
#1          03-23-2001 10:05:40.79
From:      SMTP%"johns@sales.flowers.com"      "John Smith"
To:        WHORFIN
CC:
```

Subj: Re: This is a test message.

Return-Path: <system@karem.yours.com>

Received: from karem.paul.com (192.168.1.92) by dino.bedrock.com  
(MX V5.1-X A2w8g) with SMTP for <smith@paul.yours.com>;  
Mon, 9 Aug 2001 14:35:01 -0400

Received: by karem.paul.com for smith@water.peter.com;  
Mon, 9 Aug 2001 14:35:00 GMT

Date: Mon, 9 Aug 2001 14:35:00 GMT

From: system@karem.paul.com

To: smith@water.peter.com

Message-ID: <990809143500.a2@karem.paul.com>

Glad to see your test worked.

This is my response.

MAIL>EXIT

## Specifying a Host Alias

TCPware allows a system to have multiple names-or *host aliases*-with respect to electronic mail delivery. You can specify the host alias you want to use by defining the TCPWARE SMTP FROM\_HOST logical name. The alias you choose must be one of the SMTP host name aliases registered on the system (see the translation of the logical name TCPWARE SMTP\_HOST\_NAME and the contents of the file TCPWARE\_HOST\_ALIAS\_FILE). If the alias you use is unknown, the setting of TCPWARE SMTP FROM\_HOST is ignored.

The host alias feature allows users from different administrative units within an organization to have their return address reflect the name of their unit, even though mail for all units is handled by one system.

## Specifying Individual Aliases

TCPware supports both *system-wide* and *per-user* mail aliases. Using these aliases, you can refer to electronic mail addresses with names that are meaningful to you. Per-user mail aliases are kept in the file SMTP\_ALIASES. in your login directory.

The format for alias entries is:

```
alias:      real_address[, ...];
```

where *alias* is an alphanumeric string and *real\_address* is an electronic mail address. You can specify multiple addresses by separating them with commas (.). The alias definition may span multiple lines, if needed, and must always be terminated with a semicolon (;).

For example, a local user may have a user name of JB134A, but you want to send mail to him as john. Add the following line to your SMTP\_ALIASES. file:

```
john:      jb134A;
```

Aliases are repeatedly translated until no more translations are found. You can circumvent the repeated translations by including a leading underscore (\_) in the *real\_address*. For example, this

definition causes mail to be forwarded and delivered locally:

```
fnord:      fnord@somewhere.else.edu, _fnord;
```

## Using Mail Under ALL-IN-1

This section explains how to use the mail subsystem under ALL-IN-1 to send mail to and receive mail from users on remote systems.

To send mail to a user on a remote system, specify an ALL-IN-1 e-mail address in the format:

```
recipient@destination@SMTP
```

@SMTP indicates to the ALL-IN-1 mail subsystem that the message should be given to the SMTP/MR gateway facility for eventual handling by the TCPware SMTP mail system. Note that the string SMTP and the destination system name are not case-sensitive; that is, you can type them in either uppercase or lowercase letters. However, the destination recipient specification may be case-sensitive, depending on the destination system's software. On some UNIX systems, ROOT and root specify two different user names (and hence different electronic mail addresses).

You receive network mail as you would all other mail in the ALL-IN-1 mail subsystem. Contact your system manager for the correct syntax for remote users; frequently, the proper syntax is:

```
yourname@A1.yourdomain
```

## Delivering Mail to Specific Folders

The SMTP server supports incoming mail delivery to folders other than the NEWMAIL folder. The foldernames are restricted to UPPERCASE characters only, the pound sign (#), and the underscore (\_). Use of the comma (,) in a foldername causes an error. Mail addressed to *user+folder@host* is delivered to the specified *folder*.

**Note!** Your system manager can disable this feature by defining the system-wide logical name TCPWARE\_SMTP\_DISABLE\_FOLDER\_DELIVERY.

## User-Defined Headers

You can further customize your messages by defining special RFC 822 message headers.

SMTP-OpenVMS supports defining certain message header fields in the RFC 822 part of the message header.

Defining RFC 822 headers involves running the TCPWARE:CONFIG\_SMTP\_HEADERS.COM command file to define the following headers:

- Full name
- Comments
- Reply-to
- Return-receipt-to

- Bcc
- Sender
- X-Department
- X-Special user-defined header

Run the command procedure:

```
$ @TCPWARE:CONFIG SMTP_HEADERS
```

The procedure checks for the TCPWARE\_SMTP\_USER\_HEADERS logical for header definitions. If it does not find the logical, it checks the SYS\$LOGIN:SMTP\_USER\_HEADERS.COM file. If it finds the file, it comes back with the prompt:

```
SYS$LOGIN:SMTP_USER_HEADERS.COM Exists. Load? [Yes]
```

If you want to accept the contents of the file, press **Return**. (If the file did not load properly, you can have it overwritten at the next prompt.) You then have the choice of adding to, modifying, or deleting the file, exiting and saving, or quitting without saving:

```
[A]dd, [M]odify, [D]elete, e[X]it and Save or [Q]uit:
```

- If you are adding a header, the following prompt appears:

Add Header:

1. Full-Name:
2. Comments:
3. Reply-To:
4. Return-Receipt-To:
5. Bcc:
6. Sender:
7. X-Department:
8. Other

Which header would you like to add?

Enter the negative number value:

- 1—Enter your full name
- 2—Enter a comments line
- 3—Enter a reply-to name address
- 4—Enter a return-receipt-to name or address

A return-receipt-to value is only valid if the system logical TCPWARE\_SMTP\_RETURN\_RECEIPT\_TO\_HEADER\_ENABLE is defined as 1 during configuration. If this system logical is not defined or defined as 0, SMTP-OpenVMS does not add the Return\_receipt\_to header to the mail message.

- 5—Enter a Bcc: name or address

-6—Enter a sender name or address

-7—Enter a departmental name or address

SMTP-OpenVMS prepends an x- to the departmental name or address.

-8—Enter your own special header. For example:

What is the name of the header: **X-Affiliation**

SMTP-OpenVMS prepends an x- to the special header name.

The next prompt asks you to supply a value for the header you specify. For example:

Full-Name Value: **George Plimpton**

The procedure returns to the [A]dd, [M]odify, [D]elete, e[X]it and Save or [Q]uit: prompt so that you can add other headers or modify or delete existing ones. If you enter **x** (exit and save), the procedure writes out the file on exiting and defines the SMTP\_USER\_HEADERS logical based on the file's contents.

- If you are modifying a header definition, the procedure gives you the current list of defined headers, followed by a prompt, where you enter the appropriate number. For example:

Your Current Headers:

1. Full-Name Value: George Plimpton
2. X-Affiliation: Paris Review

Which header would you like to modify? **2**

New X-Affiliation Value: **None**

After modification, you return to the Which header would you like to modify? prompt. If you enter **Return** at the prompt, you return to the [A]dd,... prompt.

- If you are deleting a header definition, the procedure gives you the current list of defined headers, followed by the prompt:

Which header would you like to remove?

The procedure asks for confirmation and returns to the above prompt unless you enter **Return**. Removed files show up as being deleted in the Your Current Headers: list until you add a new header, or exit and reenter the procedure.



# TALK: Exchanging Terminal Messages

## Introduction

The TALK utility allows you to exchange messages you type at your terminal with another local or remote user. You do not need to wait between sending your message and receiving one from your destination user. TALK uses a split screen where what you type is on the top half and what the other person types is on the bottom. This allows you to talk in "real time."

## Using TALK

First make sure the OpenVMS Phone Utility is on. If you show the broadcast status for your terminal and get something like the following:

```
$ SHOW BROADCAST
Broadcasts are currently disabled for:
    PHONE
    MAIL
    QUEUE
    SHUTDOWN
```

Then you enable phone broadcasting as follows:

```
$ SET BROADCAST=PHONE
```

To set up and invoke TALK, enter at the DCL prompt:

```
$ TALK:==$TCPWARE:TALK.EXE
$ TALK username[@host] [ttyname]
```

If you are communicating with another local user, type the user's *username*. If communicating with a user on another system, use the *username@host* syntax.

You can also include the terminal port (*ttyname*) as a parameter. Most UNIX servers only ring one of and not all the remote user's terminals. If the remote user is logged in many times, and you would rather ring a terminal that has been idle for only a short period, specify the terminal port using

*ttyname.*

One way to discover terminal ports is by using the FINGER utility, such as in the following example, where there are two terminal ports, `ttyp5` and `ttyp7`. Since the `ttyp7` terminal has a much shorter idle time (and is more current), it is therefore a better candidate for a TALK terminal:

```
$ FINGER MARGE@MARGE.ZOZO.COM
```

```
Login name: marge                               In real life: Marge Simpson
Directory: /home/spectre                       Shell: /usr/local/bin/tcsh
On since Nov 3 10:06:48 on ttyp5 from bart.nene.com
59 minutes Idle Time
```

```
Login name: marge                               In real life: Marge Simpson
Directory: /home/spectre                       Shell: /usr/local/bin/tcsh
On since Nov 3 10:06:44 on ttyp7 from bart.nene.com
36 seconds Idle Time
```

```
$ TALK MARGE@MARGE.ZOZO.COM TTYP7
```

After the above command, TALK sends the following message to the recipient if the connection is successful:

```
Message from Talk_Daemon@destination-host...
talk: connection requested by yourname@yourhost.
talk: respond with: talk yourname@yourhost
```

To establish the connection, the recipient follows the instructions from the `Talk_Daemon` and types the following at the system prompt:

```
talk yourname@yourhost
```

It does not matter from which machine the recipient replies, as long as the recipient's login name is the same. Once communication is established, the two parties can type simultaneously, with their output appearing in two parts of a split screen. What you type appears on the top half and what the other person types is on the bottom half of the screen.

To signal that you are expecting a response, it is customary to leave a blank line after your last line of text. You can use a convention such as `-oo` ("over and out") to signal that your part of the correspondence is over.

Type `Ctrl/L` to reprint the screen. You can also use the erase, kill, and word kill (`Ctrl/K`) characters.

To exit, type the interrupt character (`Ctrl/C`, `Ctrl/Y`, or `Ctrl/Z`). TALK moves the cursor to the bottom of the screen and restores the terminal to its previous state.

Example 11-1 shows a sample exchange between user BART on host BART.ZOZO.COM (an OpenVMS system) and user MARGE on host MARGE.NENE.COM.

---

**Example 11-1 Sample TALK Message Exchange**


---

On Bart:

(Bart) \$ **TALK:==\$TCPWARE:TALK.EXE**

(Bart) \$ **TALK MARGE@MARGE.NENE.COM**

-----[Waiting for your party to respond]-----

**On Marge:**

(Marge) \$

Message from Talk\_Daemon@BART.ZOZO.COM at 11:23 ...

talk: connection requested by bart@bart.zozo.com.

talk: respond with: talk bart@bart.ZOZO.com

(Marge) \$ **TALK BART@BART.ZOZO.COM**

-----[Connection established: bart@bart.zozo.com]-----

**On Bart:**

**Hi, there!**

-----[Connection established:

marge@marge.nene.com]-----

**On Marge:**

**Good to hear from you!**

-----[Connection established: bart@bart.zozo.com]--

---

Hi, there!

**On Bart:**

Hi, there!

**See you soon! -oo Ctrl/C**

-----[Connection closed.

Exiting]-----

Good to hear from you!

(Bart) \$

## Command Reference

The following is a command reference to the TALK utility.

## TALK

The TALK command is a visual communication program that exchanges messages with another host user by copying lines you type on your terminal to the other user's terminal. The other host recipient must support the `ntalk` protocol to accept (and respond to) your messages.

It does not matter from which machine the recipient replies, as long as the recipient's login name is the same. Once communication is established, the two parties can type simultaneously, with their output appearing in different parts of the same window.

Typing `Ctrl/L` causes the screen to be reprinted, while the erase, kill, and word kill (`Ctrl/K`) characters work in TALK as normal.

To exit, type your interrupt character (`Ctrl/C`, `Ctrl/Y`, or `Ctrl/Z`). TALK moves the cursor to the bottom of the screen and restores the terminal.

### Format

**TALK** *username*[@*host*] [*ttyname*]

### Parameters

**username**[@**host**]

If you want to talk to someone on your own machine, *username* is just the local user's login name. If you want to talk to a user on another host, use the form *username*@*host*.

**ttyname**

Name of the specific remote terminal. Many UNIX clients do not send `talk` request messages to every terminal of the user, and usually select just one. You may, however, want to make a particular selection.

### Restrictions

This version of TALK is incompatible with versions of ULTRIX earlier than v3.0. Starting with ULTRIX v3.0, TALK communicates with other machines running ULTRIX v3.0 (and later), and machines running 4.3BSD or versions of UNIX based on 4.3BSD.

TALK is not eight-bit clean. Typing in DEC Multinational Characters (ISO-8859/1) causes the characters to echo as a sequence of carets (^) followed by the character represented with its high bit cleared. This limitation makes TALK unusable if you want to communicate using a language that has ISO-8859/1 characters in its alphabet.

### Example

```
system1> talk user2@system2
```

The following message appears on the screen of `user2`:

```
Message from Talk_Daemon@system2 at 12:37 ...
talk: connection requested by user1@system1.
```

```
talk: respond with: talk user1@system1
```

To establish the connection, user2 follows the instructions from the `Talk_Daemon` and types the following at the system prompt:

```
system2> talk user1@system1
```

## Troubleshooting

The **Your party is refusing messages** message may come up if the remote terminal is set up with messages off, such as the first terminal (`tty5`) in the following example:

```
(Bart) FINGER MARGE@MARGE.ZOZO.COM
```

```
Login name: marge      (messages off)      In real life: Marge Simpson
Directory: /home/spectre      Shell: /usr/local/bin/tcsh
On since Nov 3 10:06:48 on tty5 from bart.nene.com
59 minutes Idle Time
No unread mail
No Plan.
```

```
Login name: marge      In real life: Marge Simpson
Directory: /home/spectre      Shell: /usr/local/bin/tcsh
On since Nov 3 10:06:44 on tty7 from bart.nene.com
36 seconds Idle Time
```

```
(Bart) TALK MARGE@MARGE.ZOZO.COM TTYP5
```

```
-----[Your party is refusing messages]-----
```

The **Checking for invitation on caller's machine** message may come up when the client is waiting for a response from the remote system. If the message appears for an extended time, it may mean that the remote system's server does not support the `ntalk` protocol, in which case a connection is not possible.

If the message **Your party is not logged on** appears, the remote user is not logged on at the time.



# TELNET: Connecting to Remote Terminals

## Introduction

The Virtual Terminal Protocol (TELNET) provides connections to remote hosts. With it, you can access remote hosts using OpenVMS commands or a UNIX style command interface.

The Client-TELNET utility is your interface to TELNET OpenVMS. You can run Client-TELNET interactively or through a startup command procedure.

Client-TELNET supports normal and TN3270 mode:

- Normal mode uses your local OpenVMS keyboard. In this mode, you can open up to ten TELNET sessions at one time.
- In TN3270 mode, Client-TELNET emulates the keyboard normally used on an IBM 3270-class terminal. It allows you to connect only one TN3270 session at a time.

## Before Using TELNET

Before you use TELNET, ask your system manager if the TELNET-OpenVMS software was installed, configured, and started on your system.

To use TELNET with Kerberos version 4 authentication, your system manager must have configured TCPware's Kerberos Services.

Before you can connect to a remote host, you need to know:

- The name of the remote host to which you want to connect.
- The username and password for each account on the remote host. If the remote host does not support multiuser protection features, you may not need a username and password. If you are using TCPware's Token Authentication, you also need to enter the additional PASSCODE from your SecurID<sup>®</sup> token (see the OPEN command for details).
- How to use the operating system of the remote host.

**Note!** Client-TELNET does not restrict the ASCII character set to seven-bit ASCII as the TELNET standard implies. Client-TELNET supports the full eight-bit (multinational) character set. To use the multinational character set, you must configure your terminal to support eight-bit characters. The peer TELNET implementation must also support the same.

## Opening a TELNET Session

Run the Client-TELNET utility to connect to a remote host. Client-TELNET supports as many as 10 connected sessions at any one time. However, of these ten sessions, only one can be a TN3270 session. To open a TELNET session (see Example 12-1):

- 1 At the DCL prompt, enter: `$ TELNET`
- 2 Use the OPEN command to open a remote TELNET session in one of the following ways:

- a To use standard authentication, at the TELNET> prompt, enter either:

```
TELNET> OPEN host
```

```
TELNET> OPEN host /AUTH=NULL
```

—*host* is the name of the host to which you want to connect. /AUTH=NULL explicitly specifies to use standard authentication.

- b To use Kerberos version 4 authentication, enter at the TELNET> prompt:

```
TELNET> OPEN host /AUTH=KERBV4 /REALM=realm
```

—*host* is the name of the host to which you want to connect.

—/AUTH=KERBV4 specifies the use of Kerberos version 4 authentication.

—/REALM=*realm* specifies the name of the Kerberos Server realm.

You must first get a ticket-granting ticket (TGT) from the Kerberos Server. (See Chapter 4, *Kerberos User Commands*.)

You can specify the Kerberos realm using the /REALM qualifier. If you omit the qualifier, the contents of the TCPWARE:KRB.REALMS file determines the Kerberos realm.

To open a connection, TELNET first tries to use Kerberos version 4 authentication if requested, then reverts to standard authentication if Kerberos version 4 authentication fails.

- 3 Respond to the login prompts, if any, of the remote host, including any PASSCODE.
- 4 Open another session if desired:

- a Return to the local TELNET prompt by entering the escape sequence displayed when opening the connection (usually `Ctrl-1/\`). The previous session remains open.
- b Use the OPEN command to open the next session. Repeat steps 2 and 3.

**Alternative method.** You can also open a remote TELNET connection as follows:

```
$ TELNET host
```

See the OPEN, CLOSE, and EXIT commands in the *Command Reference*.



## Example 12-1 Opening Multiple TELNET Sessions

```
(IRIS) $ TELNET
TELNET> OPEN BART
%TCPWARE_TELNET-I-TRYING, trying bart.nene.com,telnet (192.168.1.92,23)...
%TCPWARE_TELNET-I-ESCAPE, escape (attention) character is "^\"

(login procedure to BART)

(BART) $ Ctrl/\

TELNET> OPEN MARGE [BART remains open]
%TCPWARE_TELNET-I-TRYING, trying marge.nene.com,telnet
(192.168.1.91,23)...
%TCPWARE_TELNET-I-ESCAPE, escape character is "^\"

(login procedure to MARGE)

(MARGE) $ Ctrl/\

TELNET> OPEN HOMER [BART and MARGE remain open]
%TCPWARE_TELNET-I-TRYING, trying homer.nene.com,telnet
(192.168.1.90,23)...
%TCPWARE_TELNET-I-ESCAPE, escape character is "^\"

(login procedure to HOMER)

(HOMER) $ Ctrl/\

TELNET> OPEN LISA [BART, MARGE, and HOMER remain open]
%TCPWARE_TELNET-I-TRYING, trying lisa.nene.com,telnet
(192.168.1.89,23)...
%TCPWARE_TELNET-I-ESCAPE, escape character is "^\"

(login procedure to LISA)

(LISA) $ Ctrl/\

TELNET> OPEN /AUTH=KERBV4 /REALM=SIMPSONS.COM MAGGIE
%TELNET-I-TRYING, trying maggie.yours.com,telnet (192.168.99.1,23)...
%TELNET-I-ESCCHR, escape (attention) character is "^\"
(MAGGIE) $
```

**Note!** TCPware provides secure TELNET-OpenVMS logins through its Token Authentication feature, if installed and enabled. For more information, see Chapter 14, *Token Authentication: Protecting Logins*.

## Opening a TN3270 Session

Client-TELNET supports TN3270 mode for local OpenVMS terminals. The remote IBM host must

support a TELNET server.

You can only connect one TN3270 session at any one time. Client-TELNET returns an error message if you try to open more than one TN3270 session.

To open a TELNET session in TN3270 mode (see Example 12-2):

- 1 At the DCL prompt, enter: `$ TELNET`
- 2 Use the OPEN command at the TELNET> prompt: `TELNET> OPEN host [/TN3270]`  
TELNET servers that cannot automatically negotiate this mode require the /TN3270 qualifier.
- 3 Enter the TN3270 escape sequence `ctr1/C` instead of `ctr1/\`.
- 4 If you want to print a screen in TN3270 mode, add the /PRINT qualifier as follows:  
`TELNET> OPEN host /TN3270 /PRINT=(FILE=filename | QUEUE=qname)`  
See *TN3270 Screen Printing and Dumping*.
- 5 Only one TN3270 session can be open at any given time. If you try to open more than one TN3270 session, Client-TELNET returns an error message.

Table 12-1 lists the IBM terminal models and screen sizes Client-TELNET supports. To use the emulated model, your terminal must support the minimum size (number of rows and columns) indicated. DECwindows, DECterm, and virtual workstation (VWS) windows resize accordingly.

**Table 12-1 Supported IBM Models**

Emulated Model	Minimum Size (rows x columns)
IBM 3278-2	24 x 80
IBM 3278-3	32 x 80
IBM 3278-4	43 x 80
IBM 3278-5	27 x 132

Some Client-TELNET commands have specific meaning for TN3270 mode.

See *TN3270 Keyboard Mapping*.

**Alternative method.** You can also open a remote TELNET TN3270 connection by entering the following command:

```
$ TELNET host /TN3270
```

See the OPEN, CLOSE, and EXIT commands in the *Command Reference*.

---

### Example 12-2 Opening a TN3270 Session

---

```
$ TELNET  
TELNET> OPEN LOCIS.LOC.GOV
```

<Library of Congress menus displayed>

**Ctrl/C**

TELNET> **CLOSE**

TELNET> **OPEN LOCIS.LOC.GOV /TN3270 /PRINT(=QUEUE=ENG\_PRINTER\_ASCII)**

**Ctrl/C**

TELNET> **OPEN BLUE.ADP.WISC.EDU /TN3270**

%TCPWARE-TELNET-E-CONLOST, connection to remote host lost

%TCPWARE-TELNET-E-MAXTN3270, only one TN3270 session may be open at any one time

%TCPWARE-TELNET-I-CURRSESSION, current session is not 1, LOCIS.LOC.GOV

TELNET>

## Closing a Session

A TELNET session remains open until you log out of that session at the system prompt or use the CLOSE, EXIT, QUIT, or BYE commands or enter **Ctrl/Z** at the TELNET> prompt.

To close a TELNET session, use one of the following commands at the TELNET> prompt (see Example 12-3):

- TELNET> **CLOSE** closes the current session, as in the following chart:

If you open a TELNET session using...	And...	Then CLOSE closes the current session and...
Telnet> <b>OPEN host</b>	It is the only session There are other sessions	Keeps you in TELNET Keeps you in TELNET with the other sessions open
\$ <b>TELNET host</b>	It is the only session There are other sessions	Exits TELNET Keeps you in TELNET with the other sessions open

If you close the current session, and there are other connected sessions, Client-TELNET resets the current session to the "next" session.

- TELNET> **CLOSE session-number**  
 closes only the specified session, as indicated by the SHOW STATUS command.
- TELNET> **EXIT** exits TELNET
- TELNET> **QUIT** exits TELNET
- TELNET> **BYE** exits TELNET
- TELNET> **Ctrl/Z** interrupts TELNET

See the OPEN, CLOSE, EXIT, and SHOW STATUS commands in the *Command Reference*.

### Example 12-3 Closing TELNET Sessions

---

```
(IRIS) $ TELNET
TELNET> OPEN BART
%TCPWARE_TELNET-I-TRYING, trying bart.nene.com,telnet (192.168.1.92,23) ...
%TCPWARE_TELNET-I-ESCAPE, escape character is "^\"

(login procedure to BART)

(BART) $ Ctrl/\
TELNET> OPEN MARGE [BART remains open]
%TCPWARE_TELNET-I-TRYING, trying marge.nene.com,telnet (192.168.1.91,23) ...
%TCPWARE_TELNET-I-ESCAPE, escape character is "^\"

(login procedure to MARGE)

(MARGE) $ Ctrl/\
TELNET> SHOW STATUS
Client-TELNET V5.9-1 Copyright (c) 2007 Process Software
Connected sessions:
    1. bart.nene.com,telnet (192.168.1.92,23).
--> 2. marge.nene.com, telnet (192.168.1.91,23).
"^\" is the escape (attention) character

TELNET> CLOSE 2
%TCPWARE_TELNET-I-CONNCLOSED, closing session 2, marge.nene.com
TELNET> CLOSE 1
%TCPWARE_TELNET-S-CONNCLOSED, closing session 1,bart.nene.com
TELNET> EXIT
(IRIS) $
```

## Issuing Local Commands

You can issue commands to the Client-TELNET utility during a remote session by returning to the TELNET prompt. You can then enter one or more TELNET commands.

TELNET OpenVMS features multiline recall of up to 20 command lines using the standard OpenVMS line recall and editing keys.

You return to the remote session by entering the RESUME command.

To issue a local TELNET command while connected to a remote host and then resume the session on the host (see Example 12-4):

- 1 Enter the escape (attention) character to return to the TELNET prompt: for example: **Ctrl/\**
- 2 Issue a TELNET command. For example, you may want to:
  - Issue the SHOW STATUS command. The SHOW STATUS command displays a list of open

connections. The arrow (-->) identifies the current session.

Change the escape (attention) character using the SET ESCAPE command.

### 3 Return to the remote host by entering: TELNET> **RESUME**

This command resumes to the current remote host. Pressing **Return** or entering the OPEN command also resumes to the current remote host.

To resume to a different session, enter: TELNET> **RESUME session-number**

- *session-number* is the number of the session which you want to resume. The session-number refers to a particular connection, as displayed by the SHOW STATUS command.

You can switch between local TELNET command mode and the remote host as often as you like. See the RESUME, SET ESCAPE, and SHOW STATUS commands in the *Command Reference*.

### Example 12-4 Issuing TELNET Commands and Resuming a Session

```
(BART) $ Ctrl/\
```

```
TELNET> SHOW STATUS
```

```
Client-TELNET V5.9-1 Copyright (c) 2007 Process Software
```

```
Connected sessions:
```

```
  1. BART.nene.com, telnet (192.168.1.92,23).
  2. HOMER.nene.com, telnet (192.168.1.90,23).
  3. MARGE.nene.com, telnet (192.168.1.91,23).
-->4. LISA.nene.com, telnet (192.168.1.89,23).
```

"^\" is the escape (attention) character.

```
TELNET> SET ESCAPE "^A"
```

```
escape (attention) character is "^A"
```

```
TELNET> RESUME
```

```
(BART) $
```

```
(BART) $ Ctrl/\
```

```
TELNET> RESUME 2
```

```
%TCPWARE TELNET-I-RESUME, resuming session 2, HOMER.illiad.com
```

```
(HOMER) $
```

## Running Applications over TELNET

You can run applications over a TELNET connection by creating an NTA terminal on the local client. You can only create such devices from TELNET with no other escaped connection. This section describes how to create non-permanent NTA devices. To create permanent NTA devices, see the next section.

Normally, Client-TELNET connects to an NTA device at the TCPware server end of the

connection. It does not usually create a local NTA device. However, you can create a local NTA device so that you can run applications over the TELNET connection. To create a local NTA device (see Example 12-5):

1 Enter at the DCL prompt one of the following:

- `$ TELNET host /CREATE`
- `TELNET> OPEN /CREATE`

Use the second method if you already logged in to a host, and escaped from the session (using `Ctrl/\` or some other defined escape sequence).

In both cases, this associates a preallocated local NTA $x$ : terminal device to your TELNET connection;  $x$  is the next available unit number. No other escaped connection can exist during your TELNET session for this to work. (If one exists, the `%TCPWARE_TELNET-E-CONNOPN` error message appears.)

2 Run your application at the DCL prompt. Use the allocated terminal device as desired.

3 When your application ends, clean up by deallocating the NTA device you created using the following command at the DCL prompt: `$ DEALLOCATE device`

See your OpenVMS documentation for details on the `DEALLOCATE` command.

**Note!** Using `/CREATE` in this way creates a non-permanent NTA device, which has certain ramifications. See the next section for details on how to create a permanent NTA device. Using the `OPEN /CREATE` command as part of a TELNET command file creates an NTA device and exits TELNET right away without passing any further commands in the file to TELNET.

You can also invoke TELNET and use `OPEN/CREATE` noninteractively, such as with a batch file. The batch file cannot open an interactive connection. For applications run by the creating process, use the `/LOGICAL` qualifier to create a predefined name for the device. If this device is to be used by another process, the qualifier `/LOGICAL=... /TABLE=` may help reference it. For example:

```
$ TELNET SIGMA /CREATE /LOGICAL=TELNET_NTA /TABLE=SYSTEM /MODE=EXEC
```

See the `OPEN` command in the *Command Reference* for other parameters you can use with the `/CREATE` qualifier.

---

### Example 12-5 Opening a TELNET Connection to a Terminal Device

---

```
$ TELNET MARGE /CREATE
%TCPWARE_TELNET-I-TRYING, trying marge.nene.com,telnet
(192.168.1.91,23)...
%TCPWARE_TELNET-I-ALOC,_MARGE$NTA1: allocated
```

```
$ SET HOST/DTE NTA1:
$ DEALLOCATE NTA1:
```

```
$ TELNET BART
%REM-I-TOQUIT, connection established
```

```

Press Ctrl/\ to quit, Ctrl/@ for command mode

OpenVMS VAX 5.-2 with TCPware for OpenVMS 5.6

Username:Ctrl/\
TELNET> OPEN /CREATE
%TCPWARE_TELNET-I-ALLOC, _NTA1: allocated
$ SET HOST/DTE NTA1:
$ DEALLOCATE NTA1:

```

## Creating a Permanent NTA Device

You can also run applications over a TELNET connection by creating a permanent NTA terminal on the local client. This permanent device acts more like a LAT device; it is not automatically deleted when there are no process channels assigned to it, it can be handed off to other applications, and it has reconnect capabilities in case of a connection break. This section describes how to create permanent NTA devices. To create non-permanent NTA devices, see the previous section.

Using TELNET /CREATE by itself to create a non-permanent NTA device, such as in the previous section, has the following limitations:

- An application using this NTA device may be written to deassign and thus delete the device if the connection goes down. This could cause a conflict when rerunning the application if, meanwhile, another NTA connection with the same unit number is created.
- Handing off the NTA device to another process may require setting up the device as NOHANGUP.
- Recovery is not possible in case of a broken connection.

You can bypass these limitations and make the NTA device a permanent one by adding the PERMANENT keyword to the TELNET /CREATE command, as follows (see Example 12-6):

**Note!** Creating a permanent NTA device requires OPER privilege.

1 Enter at the DCL prompt:

```
$ TELNET host port /CREATE=PERMANENT
```

or:

```
TELNET> OPEN host port /CREATE=PERMANENT
```

This creates a permanent local NTAx: terminal device with the next available unit number. However, unlike non-permanent NTA devices, the TELNET utility does not preallocate it. Likewise, you can specify the /LOGICAL qualifier to set up a logical name for the device so that other applications can use it.

It is advisable that you specify a port other than the default TELNET port 23.

See the OPEN command in the *Command Reference* section for other parameters you can use with the /CREATE=PERMANENT qualifier.

2 Run your application at the DCL prompt, as with a non-permanent NTA device. The difference is that handing off the NTA device to another process and recovery of a broken connection are enhanced.

3 In handing off the NTA device to another process, you may wish to change its protection:

- In VMS 5, use SET PROTECTION, or SET DEVICE /ACL.
- VMS 6 replaces these commands with SET SECURITY /PROTECTION= /ACL.

### Example 12-6 Setting up a Permanent NTA Device

---

```
TELNET> OPEN MARGE 7 /LOGICAL=MY_PORT -
_TELNET> /CREATE=(PERMANENT,INTERVAL=10,RETRIES=10)
%TCPWARE_TELNET-I-CREATED, _NTA1: created

$ @MY_APPLICATION MY_PORT
```

**Note!** For information on /LOGICAL= *qualifier*, see 12-33.

### Handling a Broken Connection

If the connection to the remote port is broken, a temporary NTA device is reported as "Offline" with \$QIO's failing with a SSS\_DEVOFFLINE status. For a permanent NTA device, however:

- The NTA devchar is marked UNAVAILABLE (which can be viewed by using SYSS\$GETDVI to check if DVI\$\_DEVCHAR's DEV\$\_AVL = 0).
- If a terminal Ctrl/Y AST is set up, the AST fires up. (Setup: Disable Ctrl/Y handling by DCL using LIB\$DISABLE\_CTRL( &LIB\$\_CLI\_CTRLY, 0 ), and set up the AST using SYSS\$QIOW with IO\$\_SETMODE | IO\$\_M\_CTRLYAST.)
- Terminal I/Os queued in the TTdriver are completed with the I/O Status Block (IOSB) having a status of SSS\_HANGUP.
- A new write \$QIO buffers the data so that it can be sent when reconnected. If no reconnection is being done, then one is set up.
- Data sent at the time of the broken connection may be lost.
- The client attempts to reconnect to the remote port as described in the OPEN /CREATE=PERMANENT command section.
- The permanent NTA handles reconnects internally instead of allowing the program to issue the LAT SYSS\$QIOW with IO\$\_TTY\_PORT | IO\$\_M\_LT\_CONNECT.

### Closing the Connection After a Deassign

You can use the CLOSE\_DASSGN keyword to the /CREATE=(PERMANENT) qualifier to close the underlying TCP connection when the last channel assigned to the NTA device is dropped using SYSS\$DASSGN. The default is not to close the TCP connection.

### Startup Command File

You can have a startup file executed each time you invoke Client-TELNET. The TELNET\_STARTUP logical specifies a file that contains commands you want performed at the



beginning of each TELNET session.

To set up and run a startup command file (see Example 12-7):

- 1 Create a TELNET\_STARTUP.COM file in your login directory.
- 2 In the file, include the TELNET command or commands you want executed each time you start Client-TELNET.
- 3 Edit your LOGIN.COM file and define the TELNET\_STARTUP logical name to point to the startup file. For example, add the following line to your login file:
 

```
$ DEFINE/PROCESS TELNET_STARTUP "SYS$LOGIN:TELNET_STARTUP.COM"
```
- 4 Rerun LOGIN and run TELNET.

Whenever you run TELNET OpenVMS, it first looks for the file to which the TELNET\_STARTUP logical points. It then processes all the commands contained in that file until it processes the EXIT command or reaches the end of the file.

If the OPEN command appears in this file, TELNET establishes the connection and all further input comes from the terminal. When you return to command mode, TELNET processes the rest of the commands in the startup file (if any).

If the EXIT command appears in the startup file, Client-TELNET ignores all commands following the EXIT command and continues TELNET operations, leaving the user at the TELNET prompt.

### Example 12-7 Setting Up a Startup Command File

---

```
$ CREATE TELNET_STARTUP.COM
SET TRANSLATION /SEND=CR
OPEN IRIS
OPEN HOMER
SHOW STATUS
Ctrl/Z

$ EDIT SYS$LOGIN:LOGIN.COM
$ DEFINE/PROCESS TELNET_STARTUP "SYS$LOGIN:TELNET_STARTUP.COM"
Ctrl/Z

$ @SYS$LOGIN:LOGIN
$ TELNET
TELNET> SET TRANSLATION /SEND=CR
%TCPWARE_TELNET-I-TRNSNEWLN, will translate CR to CRLF when sent
TELNET> OPEN IRIS
%TCPWARE_TELNET-I-TRYING, trying IRIS.plants.com,telnet
(192.168.1.93,23) ...
%TCPWARE_TELNET-I-ESCCHR, escape (attention) character is "^\"

(login procedure to IRIS)

(IRIS)$ Ctrl/\
TELNET> OPEN HOMER
```

```
%TCPWARE_TELNET-I-TRYING, trying HOMER.illiad.com,telnet
(192.168.1.90,23) ...
%TCPWARE_TELNET-I-ESCCHR, escape (attention) character is "^\"

(login procedure to HOMER)

(HOMER)$ Ctrl/\
TELNET> SHOW STATUS

Connected sessions:
1. IRIS.plants.com, telnet      (192.168.1.93,23).
-->2. HOMER.illiad.com, telnet  (192.168.1.90,23).
"^\" is the escape (attention) character.

No characters are translated to CRLF when received.
CR is translated to CRLF when sent.
TELNET> RESUME
(HOMER)$
```

## TN3270 Keyboard Mapping

When the current Client-TELNET session is in TN3270 mode, Client-TELNET lets your local OpenVMS keyboard emulate the keyboard normally used on an IBM 3270-class terminal. The TCPWARE:MAP3270.DAT file defines the key mappings. The MAP3270.DAT file supports all the standard HP terminal types.

If you have a non-standard terminal, make sure the TCPWARE:MAP3270.DAT file and the OpenVMS SYSSYSTEM:TERMTABLE.TXT file contain the appropriate keyboard definitions. If you need to alter definitions in the MAP3270.DAT file, note the following:

- MAP3270.DAT is not case-sensitive. Table 12-2 lists the key mapping in this file.
- One entry contains all key definitions for a particular terminal.
- Use this format to define each key:

***key-name = 'key-sequence' ['key-sequence'];***

- *key-name* is a key name defined in the MAP3270.DAT file.
- *key-sequence* is the sequence of OpenVMS keys used to perform the IBM function.
- Use the following conventions when you alter key map definitions:

Convention	Meaning
{ }	Encloses each entry
' '	Encloses key sequences. For example: '^m'
	"or." For example: '^z'   '\EOM'

Convention	Meaning
^	Introduces a control character. For example: '^z'
\n	Newline
\t	Tab
\r	Carriage return
/E	Escape
\'	Represents a single quote when used in a key definition
;	Ends a key definition. For example: '^z'   '\EOM' ;
#	Begins a comment

See *TN3270 Keypad Graphics Characters*.

### Alternative key mappings

Client-TELNET provides an alternative mapping file that closely resembles the keyboard mappings provided by the OpenVMS DECwindows DECnet/SNA 3270 Terminal Emulator. To use these mappings, redefine the TCPWARE\_TELNET\_KEYBOARD\_MAP logical to point to the MAP3270\_DECSNA.DAT file. By default, this logical points to the MAP3270.DAT file.

You can also define your own key mapping file. Just make sure you redefine the TCPWARE\_TELNET\_KEYBOARD\_MAP logical so that it points to the new file.

**Table 12-2 IBM-to-OpenVMS Keyboard Map**

IBM Function	OpenVMS Keys	IBM Function	OpenVMS Keys
Enter	Ctrl/M or <CR>	PF15	Ctrl/F-1-5 or PF1-KP5
Clear	Ctrl/Z or Enter	PF16	Ctrl/F-1-6 or PF1-KP6
Newline	Ctrl/N	PF17	Ctrl/F-1-7 or PF1-KP7
Tab	Ctrl/I or Tab	PF18	Ctrl/F-1-8 or PF1-KP8
Backtab	Ctrl/B	PF19	Ctrl/F-1-9 or PF1-KP9
Left arrow	Ctrl/H or left arrow	PF20	Ctrl/F-2-0 or PF2-KP0
Right arrow	Ctrl/L or right arrow	PF21	Ctrl/F-2-1 or PF2-KP1
Up arrow	Ctrl/K or up arrow	PF22	Ctrl/F-2-2 or PF2-KP2
Down arrow	Ctrl/J or down arrow	PF23	Ctrl/F-2-3 or PF2-KP3

**Table 12-2 IBM-to-OpenVMS Keyboard Map (Continued)**

<b>IBM Function</b>	<b>OpenVMS Keys</b>	<b>IBM Function</b>	<b>OpenVMS Keys</b>
Home	KP. (keypad period)	PF24	Ctrl/F-2-4 or PF2-KP4
Delete	DEL or Remove	PA1	Ctrl/P-1   ESC/PF1   PF4
Erase to EOF	Ctrl/E	PA2	Ctrl/P-2   ESC/PF2   KP- (keypad dash)
Erase input	Ctrl/W	PA3	Ctrl/P-3   ESC/PF3   KP, (keypad comma)
Insert	Ctrl-space, ESC-space or Insert Here	Escape to TELNET command	Ctrl/C
PF1	ESC/1 or KP1	Master reset	Ctrl/G
PF2	ESC/2 or KP2	Set tab	ESC/;
PF3	ESC/3 or KP3	Delete tab	ESC/'
PF4	ESC/4 or KP4	Clear tabs	ESC/:
PF5	ESC/5 or KP5	Set margin	ESC/,
PF6	ESC/6 or KP6	Set home	ESC/.
PF7	ESC/7 or KP7	Column tab	ESC/↓
PF8	ESC/8 or KP8	Column back tab	ESC/↑
PF9	ESC/9 or KP9	Indent	ESC/→
PF10	ESC/0 or PF1-KP0	Unindent	ESC/←
PF11	ESC/= or PF1-KP1	Indent	ESC/→
PF12	ESC/= or PF1-KP2	Indent	ESC/→
PF13	Ctrl/F-1-3 or PF1-KP3	Indent	ESC/→
PF14	Ctrl/F-1-4 or PF1-KP4	Indent	ESC/→

## TN3270 Internationalization

International character set support adds functionality to convert the Western European EBCDIC character set to the corresponding terminal character sets (multinational or national replacement).

Since current TCPware TN3270 does not support the structured field of the extended terminals, this support does not add the simultaneous multiple character set functionality the extended terminals provide.

The TELNET command line and OPEN command include two qualifiers to support TN3270 Internationalization:

**/HOST\_CHARACTER\_SET=host-character-set-name**  
**/TERMINAL\_CHARACTER\_SET=terminal-character-set-name**

- /HOST\_CHARACTER\_SET lets you specify the national EBCDIC character set. Table 12-3 contains the supported character sets and their corresponding IBM code page numbers.
- /TERMINAL\_CHARACTER\_SET lets you specify the character set used on the terminal (OpenVMS system) side. Table 12-4 includes the supported Multinational and National Replacement character set values.

You can also use logicals to specify the host/terminal character set selection. The system manager may choose to set up a system logical to specify the default character set for his site. The logicals are:

**TCPWARE\_TN3270\_HOST\_CHARSET**—Host character set  
**TCPWARE\_TN3270\_TERMINAL\_CHARSET**—Terminal character set

You can specify the same values as you do with the corresponding qualifiers. For example:

```
$ DEFINE/SYSTEM/EXEC TCPWARE_TN3270_HOST_CHARSET CANADIAN
$ DEFINE/SYSTEM/EXEC TCPWARE_TN3270_TERMINAL_CHARSET LATIN1
```

The TELNET SHOW STATUS command displays the currently selected character set for TN3270. For example:

```
TELNET> SHOW STATUS
Client-TELNET V5.9-1 Copyright (c) 2007 Process Software
Connected session:

  -->1. LOCIS.LOC.GOV, telnet (140.147.254.3,23). [TN3270 mode]

Current session is operating in 3270 mode.
Terminal type: IBM-3278-2

Keyboard Map File: TCPWARE:MAP3270.DAT

Host Character Set: CANADIAN
Terminal Character Set: LATIN1

Print key function:
Output File: SYS$LOGIN:TN3270.TXT
```

"^C" is the escape (attention) character.

**Table 12-3 TN3270 Internationalization Character Sets**

Character Set	Code Page	Character Set	Code Page
AUSTRIAN	273	INTERNATIONAL	038
BELGIAN	274	NORWEGIAN	277
CANADIAN	037	PORTUGUESE	037
DANISH	277	SPANISH	284
DUTCH	037	SWEDISH	278
ENGLISH_UK	285	SWISS	500
ENGLISH_US	037	FRENCH	297
FINISH	278	ITALIAN	280

**Note!** Some of the character sets in this table correspond to the same coded page. If omitted, the code page defaults to 037.

**Table 12-4 OpenVMS Character Sets**

Multinational Character Sets	National Replacement Character Sets
DECMCS (default)	NORTH_AMERICA
LATIN1	FLEMISH CANADIAN_FRENCH BRITISH DANISH AUSTRIAN_GERMAN DUTCH ITALIAN SWISS_FRENCH SWISS_GERMAN SWEDISH NORWEGIAN BELGIAN_FRENCH SPANISH PORTUGUESE

## TN3270 Keypad Graphics Characters

The TN3270 keyboard mapping key definitions permit mapping keypad graphics characters (0-9 . , -) to themselves rather than to other 3270 functions. Modify the MAP3270.DAT file if you emulate a TN3270 keyboard but want to use the graphics keypad characters as they are on OpenVMS keys.

When you modify the MAP3270.DAT file to map the graphics keypad, use the key naming conventions shown in Table 12-5. Then make the keypad map to the graphics on the keys, as follows:

- 1 Modify TCPWARE:MAP3270.DAT (or a variant of it) to include the entry as shown in Example 12-8.
- 2 Search through the file and delete any other occurrences of these escape sequences.
- 3 The enter key (\EOM) maps to the HOME function by default. Change it to ENTER if desired.

**Table 12-5 Graphics Keypad Naming Conventions**

Use...	To represent OpenVMS Keypad Key...
NUM0 (through) NUM9	graphics 0 through 9
PERIOD	period (.)
COMMA	comma (,)
HYPHEN	hyphen (-)

**Example 12-8 Sample Keypad Graphics Characters Definitions in the MAP3270.DAT File**

```
# Use keys on numeric keypad as themselves (numbers)
hyphen = '\EOM'; comma = '\EOL'; period = '\EON';
num0 = '\EOp';
num1 = '\EOq'; num2 = '\EOr'; num3 = '\EOs';
num4 = '\EOt'; num5 = '\EOu'; num6 = '\EOv';
num7 = '\EOw'; num8 = '\EOx'; num9 = '\EOy';
```

## TN3270 Screen Printing and Dumping

You can print or dump to a file a TN3270 session screen by using additional qualifiers with the TELNET /TN3270 or OPEN /TN3270 command. You can specify a screen print or dump either during or after opening a connection to a host.

To print a screen in TN3270 mode or dump a screen into a specified file (see Example 12-9):

- 1 If you want to print the ensuing TN3270 screen while opening a TN3270 host connection, specify at the DCL prompt:
 

```
$ TELNET host /TN3270 /PRINT=(QUEUE=qname)
```

Or specify at the TELNET> prompt:

```
TELNET> OPEN host /TN3270 /PRINT=(QUEUE=qname)
```

You can also add the FORM parameter, which specifies the form name for the print queue, as in:

```
TELNET> OPEN host /TN3270 /PRINT=(QUEUE=qname, FORM=form-name)
```

- 2 If you want to print the current TN3270 session screen when already in TN3270 mode, **Ctrl/C** out of the session and specify at the TELNET> prompt:

```
TELNET> SET PRINT /QUEUE=qname [/FORM=form-name]
```

The /QUEUE qualifier is like the QUEUE parameter and the optional /FORM qualifier is like the FORM parameter in step 1 previously.

- 3 If you want to dump the ensuing TN3270 screen into a file while opening a TN3270 host connection, specify at the DCL prompt:

```
$ TELNET host /TN3270 /PRINT=(FILE=filename)
```

Or specify at the TELNET> prompt:

```
TELNET> OPEN host /TN3270 /PRINT=(FILE=filename)
```

The default print setting is /PRINT=(FILE=SYS\$LOGIN:TN3270.TXT, NOAPPEND). You can also use the APPEND keyword that appends the current screen dump onto an existing filename (NOAPPEND is the default):

```
TELNET> OPEN host /TN3270 /PRINT=(FILE=filename, [NO]APPEND)
```

- 4 If you want to dump the ensuing TN3270 screen into a file when already in TN3270 mode, **Ctrl/C** out of the session and specify at the TELNET> prompt:

```
TELNET> SET PRINT /FILE=filename [/ [NO]APPEND]
```

The default print setting is SET PRINT /FILE=SYS\$LOGIN:TN3270.TXT /NOAPPEND. The /FILE qualifier is like the FILE parameter and the optional /APPEND qualifier is like the APPEND keyword in step 3.

- 5 Resume the current session. When you are at the desired screen, press the "Escape" character (however it is defined) together with the character **P** (uppercase or lowercase). (In the example, the "Escape" character is defined as **F11** so that the print key sequence is **F11/P**.) Exit the session and check for the existence of the print queue or file.

### Example 12-9 Printing and Dumping TN3270 Screens

---

```
$ TELNET LOCIS.LOC.GOV /TN3270 /PRINT=(QUEUE=ENG_PRINTER_ANSI)
L O C I S : LIBRARY OF CONGRESS INFORMATION SYSTEM
```

```
Choice: F11/P quit
```

```
$ SHOW QUEUE ENG_PRINTER_ANSI
<shows active printer queue>
```

```
$ TELNET LOCIS.LOC.GOV /TN3270
L O C I S : LIBRARY OF CONGRESS INFORMATION SYSTEM
```

```
Choice:Ctrl/C
```



```
TELNET> SET PRINT /QUEUE=ENG_PRINTER_ASCII
TELNET> RESUME
```

Choice: F11/P quit

```
TELNET> QUIT
$ SHOW QUEUE ENG_PRINTER_ANSI
<shows active printer queue>
$ TELNET LOCIS.LOC.GOV /TN3270 /PRINT=(FILE=PRINTFILE.TXT, APPEND)
L O C I S : LIBRARY OF CONGRESS INFORMATION SYSTEM
```

Command ==> F11/P quit

```
TELNET> QUIT
$ DIR PRINTFILE.TXT
<shows filename in directory; screen is appended onto existing
file>
```

```
.TELNET> OPEN LOCIS.LOC.GOV /TN3270
```

Command ==> Ctrl/C

```
TELNET> SET PRINT /FILE=PRINTFILE.TXT /APPEND
TELNET> RESUME
```

Command ==> quit F11/P

```
TELNET> QUIT
$ TYPE PRINTFILE.TXT
<shows file; screen is appended onto existing file>
```

## Sample Session

This section shows a sample Client-TELNET session.

See Example 12-10 for the corresponding numbered steps. In this sample session, a user on IRIS:

- 1 Starts TELNET.
- 2 Enters the SHOW STATUS command.
- 3 Connects to TULIP.
- 4 Logs in and does some work. (Note the appearance of the PASSCODE: prompt, since this user is protected using TCPware's Token Authentication.)
- 5 Enters the escape (attention) character to return to the TELNET prompt.
- 6 Changes the escape (attention) character and enters a SHOW STATUS command.
- 7 Enters the RESUME command to return to TULIP.
- 8 Logs out of TULIP.
- 9 Exits TELNET.

**Example 12-10 Sample Client-TELNET Session**

---

```
(Iris) $ TELNET
TELNET> SHOW STATUS
Client-TELNET V5.9-1 Copyright (c) 2007 Process Software
No connection established.
Terminal type list: VT300, DEC-VT300, IBM-3278-2
"^\" is the escape (attention) character

TELNET> OPEN TULIP
%TCPWARE_TELNET-I-TRYING, trying tulip.flower.com,telnet
(192.168.1.56,23)...
%TCPWARE_TELNET-I-ESCCHR, escape (attention) character is "^\"

SunOS UNIX 4.1 (tulip.flower.com) (ttyp2)

login: root
Password:

PASSCODE:

Last login: Wed Feb 21 10:57:25 from 198.168.1.105
SunOS Release 4.1.1 (GENERIC) #10: Fri Feb 9 23:16:21 EST 2007

tulip> ls
bin      mnt      notes    test.c    test_def.h
tulip> ^ \

TELNET>SET ESCAPE "^A"
%TCPWARE_TELNET-I-ESCCHR, escape (attention) character is "^A"
TELNET> SHOW STATUS
Client-TELNET V5.9-1 Copyright (c) 2007 Process Software
Connected session:
  --1. tulip.flower.com,telnet (192.168.1.56,23).
"^A" is the escape (attention) character
TELNET>RESUME
tulip ls -A
.          .forward  bin        test.c
..         .login    mnt        test_def.h
.cshrc     .profile  notes
TELNET>EXIT
(Iris)$
```

## Command Reference

The following pages consist of command descriptions for the available Client-TELNET commands.

You interact with Client-TELNET by typing commands at the TELNET> prompt. Client-TELNET supports the following OpenVMS-style commands:

CLOSE	SET [/NO] BINARY	SET [/NO]LOCAL_FLOW
DEFINE/KEY	SET [/NO]BRK	SET LOG
EXIT	SET DEBUG	SET PRINT
FLUSH	SET DELETE_ALLOWED	SET TERMINAL_TYPE
HELP	SET [/NO]EC	SET TRANSLATION
OPEN	SET [/NO]EL	SET [/NO]XDISPLOC
RESUME	SET [/NO]ESCAPE	SHOW OPTIONS
SEND	SET [/NO]FLUSH	SHOW STATUS
SET [/NO]AO	SET [/NO]FORWARD	SHOW TRANSLATION
SET [/NO]AYT	SET [/NO]GA	SPAWN
SET [/NO]BACKWARD	SET [/NO]IP	

**Table 12-6 TELNET Command Synonyms**

Synonym	Equivalent	Synonym	Equivalent
BYE or QUIT	EXIT	SET HOST	OPEN
CONNECT	OPEN	STATUS	SHOW STATUS
DISCONNECT	CLOSE	Z	SPAWN
ESCAPE	SET ESCAPE		

This command reference includes:

Name of the command	Format of the command	Qualifiers, if applicable
Synonym, if available	Parameters, if applicable	Examples of usage

## CLOSE

Closes the current connection or the session specified by the session number. If you are not connected to a remote host, this command has no effect.

When you open a session using the alternate TELNET *host* format, the CLOSE command:

- Exits TELNET if the connection is the only session.
- Keeps you in TELNET with the other session(s) open if there is at least one other session.

### Format

**CLOSE** [*session-number*]

### Synonym

**DISCONNECT** [*session-number*]

### Parameter

**session-number**

Session number to close, based on the session number displayed by the SHOW STATUS command. If omitted, closes the current session. If there are any other connections open, Client-TELNET resets the current session to the "next" one.

### Examples

You can use the SHOW STATUS command to display a list of open connections. These examples start with HOMER as the current session. There are three TELNET connections, as follows, with the current session being on HOMER:

```
1. BART.nene.com, telnet (192.168.1.92,23).
2. MARGE.nene.com, telnet (192.168.1.91,23).
-->3. HOMER.nene.com, telnet (192.168.1.90,23).
```

- 1 This example ends the session on MARGE. The current session is still HOMER. You can close any other session without affecting the status of the current session.

```
TELNET> CLOSE 2
%TELNET-S-LCLCLOSED, Local connection closed
-TELNET-I-SESSION, Session 02, host marge.nene.com, port 23
%TELNET-I-CURRSESSION, current session is now 3, homer.nene.com
```

- 2 This example ends the current session on HOMER and defaults to the session on BART. Because you are closing the current session, Client-TELNET resets the current session to the "next" connected session.

```
TELNET> CLOSE  
%TELNET-S-LCLCLOSED, Local connection closed  
-TELNET-I-SESSION, Session 03, host homer.nene.com, port 23  
%TELNET-I-CURRSESSION, current session is now 1, bart.nene.com
```

## DEFINE/KEY

Associates an equivalence string and a set of attributes with a key on the terminal keyboard.

### Format

**DEFINE/KEY** *key-name* ["*equivalence-string*"]

### Parameters

**key-name**

Name of the key to define. Table 12-7 lists key designations for three terminal types:

- On LK201 terminals, the numeric keypad, editing keypad (except the \$ and ^ arrow keys), or function key row (except F1 through F5).
- On VT52 terminals, all definable keys are on the numeric keypad.
- On VT100-type terminals, you can also define the ⇐ and ⇒ keys. On VT200 terminals, the ⇐, ⇒, and F6 through F14 keys are for command line editing. Issue the DCL command SET TERMINAL/ NOLINE\_EDITING to define these keys before you run Client-TELNET. You can also press **Ctrl/V** to enable keys F7 through F14.

**Table 12-7 Key Designations for Three Terminal Types**

Key Name	LK201	VT100-type	VT52
PF1	PF1	PF1	[blue]
PF2	PF2	PF2	[red]
PF3	PF3	PF3	[gray]
PF4	PF4	PF4	n/a
KP0,...KP9	0,...,9	0,...,9	0,...,9
PERIOD	.	.	.
COMMA	,	,	,
MINUS	-	-	-
ENTER	Enter	ENTER	ENTER
LEFT	<	<	<
RIGHT	□	□	□
Find (E1)	Find		
Insert_Here (E2)	Insert_Here		

**Table 12-7 Key Designations for Three Terminal Types (Continued)**

Key Name	LK201	VT100-type	VT52
Remove (E3)	Remove		
Select (E4)	Select		
Prev_Screen (E5)	Prev_Screen		
Next_Screen (E6)	Next_Screen		
HELP	Help		
DO	Do		
F6,...,F20	F6,...,F20		

**equivalence-string**

String to substitute when you press the key. If the string contains spaces, enclose it in quotes.

**Qualifiers**

**/ECHO** (default)

**/NOECHO**

/ECHO (the default) displays the equivalence string on your screen after you press the key.

/NOECHO disables this. Use /NOECHO with /TERMINATE only.

**/IF\_STATE**=(*state-name*[,*state-name*,... ])

**/NOIF\_STATE** (default)

/IF\_STATE specifies one or more *state-names* (alphanumeric strings separated by commas) for the key definition to be in effect. You can omit the parentheses if you specify only one *state-name*.

/NOIF\_STATE is the default, where the current state applies.

Establish states using the /SET\_STATE qualifier (see below). If you specify several *state-names*, you can define a key to have the same function in all the specified states.

**/LOCK\_STATE**

**/NOLOCK\_STATE** (default)

/LOCK\_STATE specifies that the state set by the /SET\_STATE qualifier remains in effect until explicitly changed. /NOLOCK\_STATE is the default, where the state set by /SET\_STATE is in effect only for the next definable key that you press or for the next read terminating character that you type.

You can only specify /LOCK\_STATE with /SET\_STATE.

**/SET\_STATE**=*state-name*

**/NOSET\_STATE** (default)

**/SET\_STATE** specifies the *state-name* (an alphanumeric string) to set when pressing the key. *State-name* is an alphanumeric string. The default is **/NOSET\_STATE**, where the current locked state, if any, remains in effect.

**/TERMINATE**

**/NOTERMINATE** (default)

Specifies whether to terminate (execute) the current equivalence string when you press the key. **/NOTERMINATE** (the default) lets you create key definitions that insert text into command lines, at prompts, or into other text you type.



## **EXIT**

Exits the Client-TELNET utility and returns to the DCL level.

If there is an open connection or log file, Client-TELNET closes it before exiting.

Once you exit, all connections to remote hosts are disconnected.

### **Format**

**EXIT**

### **Synonyms**

**QUIT**

**BYE**

**Ctrl/Z**

## **FLUSH**

Discards all characters currently in the output stream from the server.

Ignored if no connection is open.

**Note!** Unlike the flush character (see the SET [NO]FLUSH command), the FLUSH command does not use the timing-mark option.

### **Format**

**FLUSH**

## **HELP**

Obtains help on using the Client-TELNET utility.

TELNET help uses the OpenVMS interactive help facility.

To exit the help facility, press the RETURN key until you return to the TELNET> prompt.

### **Format**

**HELP** *[topic]*

### **Parameter**

**topic**

Topic on which you want help. Optional.

## OPEN

Opens a connection to a remote host. You can open up to ten connections at any one time. The connection remains open until you log out of the remote host, or use the CLOSE or EXIT command at the TELNET> prompt.

To use Kerberos version 4 authentication with TELNET, you must first get a ticket-granting ticket (TGT) from the Kerberos Server. (See Chapter 4, *Kerberos User Commands*.)

If you are designated by the system administrator as having password authentication through Token Authentication, you need to enter the PASSCODE in addition to the username and password at a separate PASSCODE: prompt (see Example 12-7). Depending on which type of SecurID card you were assigned:

- Enter a combination of your memorized personal identification number (PIN) and the tokencode that appears on the card (with no separating space) at the PASSCODE: prompt, or
- Enter your memorized PIN on the PINPAD™ card and the resulting tokencode that appears on the card at the PASSCODE: prompt.

See Chapter 14, *Token Authentication: Protecting Logins*, for details on obtaining PASSCODEs.

**Note!** The same parameters and qualifiers apply to the TELNET command on the DCL level as apply to the OPEN command within TELNET.

### Format

**OPEN** [*host* [*port*]]

### Synonyms

**CONNECT** [*host* [*port*]]

**SET HOST** [*host* [*port*]]

### Parameters

#### **host**

Name of the remote host to which you want to connect. The host must exist on the network.

Enter OPEN *host* to open a remote connection and start the login sequence, if any. If you omit *host* and a connection is open, Client-TELNET resumes the session to that host.

#### **port**

Nonstandard service name or number of the remote port to which you want to connect. The default is **TELNET** or **23** (for the TELNET Server). Use only to connect to a nonstandard server.

ALTERNATIVE: Use the /PORT qualifier (DO NOT use both in the same command; see Example 6).

## Qualifiers

**/AUTHENTICATION**[=*auth-type*]

Determines the authentication method. If *auth-type* is **KERBV4** (or the value is omitted), Kerberos version 4 authentication is used. If *auth-type* is **NULL** (or the entire qualifier is omitted), standard authentication is used.

**/CREATE** *f*=(**PERMANENT**, **BROKE\_TIMO**=*seconds*, **CLOSE\_DASSGN**, **INTERVAL**=*seconds*, [**NO/KEEPALIVE**, **NOOPCOM**, **NOTCONNECTED\_OK**, **RETRIES**=*number*], **SHUT\_ABORT**) *J*

Associates the local client end of the TELNET connection to an NTA device. Lets you use the connection for terminal activities such as printing or running applications. Supports **/RAW**, **/LOGICAL**, and **/TIMEOUT**.

The **/CREATE** keyword creates the NTA device as preallocated so that it is not deleted when exiting TELNET. However, deallocating the device deletes it automatically when there are no process channels assigned to it (the reference count drops to zero). The **PERMANENT** keyword causes the client NTA device NOT to be deleted automatically when there are no process channels assigned to it, thus creating a permanent connection similar to an application LTA device for LAT. As with LAT, if the TELNET connection is broken, the Client-TELNET device tries to reconnect to the specified host and port. Further parameters control the broken connection and reconnection algorithms:

<b>BROKE_TIMO</b> = <i>seconds</i>	Used to determine when a connection is broken. (Note that the <b>OPEN /TIMEOUT</b> qualifier value is used in establishing the connection, and another timeout of eight minutes is used when sending data.) If omitted, the <b>/TIMEOUT</b> value is used. Also applies to non-permanent NTA devices (when using <b>OPEN/CREATE</b> without the <b>PERMANENT</b> keyword).
<b>CLOSE_DASSGN</b>	Specifies that when the last channel is deassigned from the NTA device, the underlying TCP connection is closed. The default is NOT to close the TCP connection. Use with the <b>PERMANENT</b> keyword only.
<b>INTERVAL</b> = <i>seconds</i>	Connection retry interval, the minimum time to wait until another connect is attempted. The default is 120 seconds (two minutes). Use with the <b>PERMANENT</b> keyword only.
<b>KEEPALIVE</b> or <b>NOKEEPALIVE</b>	Controls whether keepalive segments are sent to the remote port. The default is <b>KEEPALIVE</b> . Also applies to non-permanent NTA devices (when using <b>OPEN/CREATE</b> without the <b>PERMANENT</b> keyword).
<b>NOOPCOM</b>	Specifies that no OPCOM messages are used when a permanent NTA device fails to reconnect or reconnects after an initial failure. OPCOM messages are sent by default.

<b>NOTCONNECTED_OK</b>	A permanent NTA device is created even if a TCP connection cannot initially be set up.
<b>RETRIES=<i>number</i></b>	Number of times to try to reconnect after a connection breaks; the default is -1, handled as an unsigned number and thus actually 4,294,967,295, which is, in effect, infinite. Use with the PERMANENT keyword only.
<b>SHUT_ABORT</b>	Specifies that a permanent NTA device will do extra TCP device cleanup after the underlying TCP connection is shutdown. This is similar to doing NETCU> KILL CONNECTION for a closed TCP device.

Setting RETRIES to 0 means that when either end closes the TCP connection, no reconnects automatically occur. However, a reconnection attempt is made without delay when a write operation to the permanent NTA device occurs. If RETRIES is not set to 0, automatic retries occur when the connection closes. If all those retries fail, and a write is done later to the NTA device, then the specified number of retries is attempted.

Here is a typical command to create a TELNET connection to a printer (note the use of /RAW to avoid sending TELNET options negotiation data):

```
TELNET /RAW /CREATE=(PERM, RETRIES=0, CLOSE) host port
```

After TELNET creates a permanent NTA device with an underlying TCP connection, the NTA device's reference count drops to 0; thus the TCP connection is closed. When a write operation occurs to the NTA device, an attempt is made to re-establish the TCP connection. Meanwhile the data being written is held so that it can be sent when reconnected. If all reconnects fail, the write data is dropped. When the application deassigns its channels to the NTA device, its TCP connection is again closed.

To specify that the permanent NT device should be treated as a local terminal rather than a remote terminal (to allow for spooling of the device), add the 'local' keyword to the TELNET "create" qualifier:

```
TELNET /CREATE=(PERM, LOCAL)
```

```
/HOST_CHARACTER_SET=name
```

Use with the /TN3270 qualifier to set the national EBCDIC character set for TN3270 Internationalization. Table 12-3 shows the supported character sets and their corresponding IBM code page numbers.

```
/LOGICAL=name [/TABLE=table] [/MODE=mode]
```

Logical name defined for the allocated NTA device. Use only with the /CREATE qualifier. The *table* values are **PROCESS** (the default), **JOB**, **GROUP**, or **SYSTEM**. The *mode* values are **SUPERVISOR** (the default) or **EXECUTIVE**.

```
/PORT=port
```

Nonstandard service name or number of the remote port to which you want to connect. The default

is 23 (for the TELNET Server). Use only to connect to a nonstandard server. ALTERNATIVE: Use the *port* command parameter (DO NOT use both in the same command; see Example 12-6).

**/PRINT=***[/]{FILE=file, [NO]APPEND} | {QUEUE=qname, FORM=form};[/]*

Prints a TN3270 screen or dumps it into a file. Use only with the /TN3270 qualifier. Provides the functionality of the PRINT key, which the TCPWARE:MAP3270.DAT file defines by default as follows:

```
lpprt = '\Ep' | '\EP'; # ESCAPE-p, ESCAPE-P
```

Use either FILE or QUEUE, but not both:

FILE= <i>file</i>	Output file (the default is SYS\$LOGIN:TN3270.TXT). APPEND appends each print page onto the file; NOAPPEND (the default) creates a new file for each page.
QUEUE= <i>qname</i>	Location of the print queue. FORM= <i>form</i> specifies the form to use when sending the page output to a print queue.

**/RAW**

Specifies a raw, binary connection that does not adhere to the TELNET protocol. Use only with the /CREATE qualifier.

**/REALM=realm**

Assigns the name of the Kerberos realm. If the Kerberos Server resides in a different realm than the local host, use this qualifier. Use with the /AUTHENTICATION=KERBV4 qualifier and value. The realm is converted to lowercase unless you enclose it in quotes.

**/TERMINAL\_CHARACTER\_SET=name**

Use with the /TN3270 qualifier to set the OpenVMS terminal character set for TN3270 Internationalization. Table 12-4 shows the supported Multinational and National Replacement character set values.

**/TIMEOUT=seconds**

Timeout time for establishing the TELNET control connection. If not specified, the default value of 120 seconds (2 minutes) applies. The minimum allowable value is 20.

**/TN3270**

**/NOTN3270**

/TN3270 enables TN3270 mode. Use this qualifier when you want your OpenVMS terminal to emulate an IBM 3270-class terminal but the server cannot negotiate this mode automatically. (If the server can negotiate TN3270 mode automatically, you can omit this qualifier.) Only one TN3270 session can be open at any one time. Use the /PRINT qualifier for printing or file-dumping a TN3270 screen.

Use /TN3270 with the /HOST\_CHARACTER\_SET and /TERMINAL\_CHARACTER\_SET qualifiers to support TN3270 Internationalization.

/NOTN3270 disables TN3270 mode. Use this qualifier if you connect to a remote terminal that supports both IBM 3270 mode and non-IBM 3270 connections.

## Examples

- 1 This example opens a connection to host DAISY and enables TN3270 mode. Use /TN3270 only if the server cannot negotiate TN3270 mode automatically. Client-TELNET allows only one TN3270 session at any one time.

```
TELNET> OPEN /TN3270 DAISY
```

```
<login procedure to daisy....>
```

```
(daisy)$ Ctrl/\
```

```
TELNET> OPEN /TN3270 ROSE
```

```
%TCPWARE_TELNET-E-MAXTN3270, only one TN3270 session may be open at any time
```

```
TELNET>
```

- 2 This example opens a connection to host DAISY in TN3270 mode and specifies a Danish TN3270 Internationalization host character set:

```
TELNET> OPEN /TN3270 /HOST_CHARACTER_SET=DANISH DAISY
```

```
<login procedure to daisy....>
```

```
(daisy)$
```

- 3 This example opens three sessions. The first two use Kerberos version 4 authentication; the third uses standard authentication. The Kerberos Server realm is determined by the contents of the TCPWARE:KRB.REALMS file.

```
TELNET> OPEN /AUTH=KERBV4 BART
```

```
(bart)$ ^\
```

```
TELNET> OPEN /AUTH MARGE
```

```
(marge)$ ^\
```

```
TELNET> OPEN LISA
```

```
<login procedure to LISA....>
```

```
(lisa)$
```

- 4 This example opens a TN3270 connection and prints the next screen that appears to the print queue ENG\_PRINTER\_ASCII:

```
TELNET> OPEN DAISY /TN3270 /PRINT=(QUEUE=ENG_PRINTER_ASCII)
```

```
<login procedure to daisy....>
```

- 5 This example creates a permanent NTA device for the connection to MARGE port 7 for the user application. In case the connection goes down, it is set up so that automatic reconnection retries occur every 10 seconds for a total of 10 retries.



```
TELNET> OPEN /LOGICAL=MY_PORT -
_TELNET>/CREATE=(PERMANENT,INTERVAL=10,RETRIES=10) MARGE 7
%TCPWARE_TELNET-I-CREATED, _NTA2: created
$ @MY_APPLICATION MY_PORT
```

- 6 This example displays the results of using the *port* parameter value (telnet) together with the /PORT qualifier and value in a single command:

```
TELNET> OPEN DAISY TELNET /PORT=23
%TCPWARE_TELNET-W-CONFLICT illegal combination of command elements -
check documentation
```

- 7 This example displays a login session to DAISY that uses Token Authentication for password protection:

```
TELNET> OPEN DAISY
%TCPWARE_TELNET-I-TRYING, trying
DAISY.nene.com,telnet (192.168.142.7,23) ...
%TCPWARE_TELNET-I-ESCCHR, escape (attention) character is "^\"
```

```
      ** AUTHORIZED USE ONLY **      PHI (VAX/VMS V5.-2)
```

```
Username: PETER
Password:
```

```
Enter PASSCODE:
PASSCODE Accepted
```

## RESUME

Resumes the current connection if you do not specify a session number. If you specify a session number, resumes the connection associated with the session number, as displayed by the SHOW STATUS (or STATUS) command.

### Format

**RESUME** [*session-number*]

### Parameter

#### **session-number**

Session number to resume, based on the session number the SHOW STATUS command displays. If omitted, resumes the current connection.

### Examples

- 1 This example resumes the session on BART. Client-TELNET does not display a message if the user resumes the current session:

```
TELNET> SHOW STATUS  
Connected session:  
-->1. BART.humor.com, telnet (192.168.1.92,23).
```

```
TELNET> RESUME  
(bart) $
```

- 2 This example resumes session 2 on MARGE:

```
TELNET> STATUS  
Connected sessions:  
  1. BART.humor.com, telnet (192.166.1.92,23).  
  2. MARGE.humor.com, telnet (192.166.1.91,23).  
-->3. HOMER.illiad.com, telnet (192.162.1.90,23).
```

```
TELNET> RESUME 2  
%TCPWARE_TELNET-I-RESUME, resuming session 2, MARGE.humor.com  
(marge) $
```

## SEND

Sends TELNET control functions or option negotiations to a remote host.

### Format

**SEND** {*control-function* | {*command option*}}

### Parameters

#### control-function

Table 12-8 lists the available TELNET control functions. Send a control function to gain access to functions of the remote host that are not available from the keyboard.

**Table 12-8 TELNET Control Functions**

Control Function	Definition
AO	Abort Output
AYT	Are You There
BACKWARD	Sends the current Client-TELNET Backward character
BRK	Break
EC	Erase Character
EL	Erase Line
ESCAPE	Sends the current Client-TELNET Escape character
FORWARD	Sends the current Client-TELNET Forward character
GA	Go-Ahead
IP	Interrupt Process
NOIP	Do Not Interrupt Process
SYNCH	SYNCH signal

### Command

One of the following TELNET protocol commands used in options negotiation:

DO	WILL	DONT	WONT
----	------	------	------

**Option**

Negotiated TELNET option. Client-TELNET supports the following *option* keywords:

ECHO	for the ECHO option SEND WILL ECHO is an invalid command. Client-TELNET does not allow the user to send this option negotiation to the TELNET Server.
BINARY, or TRANSMIT_BINARY	for the TRANSMIT-BINARY option
SGA, or SUPPRESS_GO_AHEAD	for the SUPPRESS-GO-AHEAD option

## SET /NOAO

Defines, changes, or disables the "abort output" (AO) character. During a TELNET session, if you enter the defined AO character, Client-TELNET sends the TELNET AO control function to the server instead of the actual character.

Ignored if TN3270 mode is active.

### Format

**SET AO** *char*  
**SET NOAO**

### Parameter

**char**

When entered, this character sends the TELNET AO control function to the server. You can specify this character in either of the following formats:

Numeric	ASCII value of the character.
String	Character string enclosed in quotes. Specify control characters by typing a caret (^) before the character.

There is no default AO character. Define the initial AO character using the TCPWARE\_TELNET\_AO logical name (in the process, job, group, or system logical name tables). To define the logical, use one of the following formats:

- \$ **DEFINE/PROCESS TCPWARE\_TELNET\_AO 15**
- \$ **DEFINE/PROCESS TCPWARE\_TELNET\_AO ""^O""**

Both commands set the AO character to **Ctrl/O** (ASCII 15). They are equivalent.

### Qualifiers

**/FLUSH** (default)  
**/NOFLUSH**

If you specify **/FLUSH**, Client-TELNET discards all characters currently in the output stream from the server when sending the AO control function. Client-TELNET uses the TELNET timing-mark option to accomplish this (the Server does not have to support this option for this feature to work). If you specify **/NOFLUSH**, Client-TELNET sends only the AO control function. If you omit both, the previous setting remains. The initial default is **/FLUSH**.

If there is no response to the timing-mark option, Client-TELNET may continue to discard output from the server. Use the **FLUSH** command to resume normal operation.

**/SYNCH**

**/NOSYNCH** (default)

Sends the AO command followed by the SYNCH signal.

## Examples

**1** Each of these equivalent commands sets the AO character to **ctr1/o** (ASCII 15):

```
TELNET> SET AO "^O"
```

```
TELNET> SET AO 15
```

**2** This example removes the previous character definition, if any, for the AO control function:

```
TELNET> SET NOAO
```

## SET [NO]AYT

Defines, changes, or disables the "are you there" (AYT) character. If you enter the defined AYT character during a TELNET session, Client-TELNET sends the TELNET AYT control function to the server instead of the actual character. Ignored if TN3270 mode is active.

### Format

```
SET AYT char
SET NOAYT
```

### Parameter

#### char

When entered, this character sends the TELNET AYT control function to the server. You can specify this character in either of the following formats:

Numeric	ASCII value of the character.
String	Character string enclosed in quotes. Specify control characters by typing a caret (^) before the character.

There is no default AYT character. Define the initial AYT character using the TCPWARE\_TELNET\_AYT logical name (in the process, job, group, or system logical name tables). To define the logical, use one of the following formats:

- \$ DEFINE/PROCESS TCPWARE\_TELNET\_AYT 7
- \$ DEFINE/PROCESS TCPWARE\_TELNET\_AYT ""^G""

Both commands set the AYT character to **Ctrl/G** (ASCII 7). They are equivalent.

### Qualifiers

```
/SYNCH
/NOSYNCH (default)
```

Sends the AYT command followed by the SYNCH signal.

### Examples

- 1 Each of these equivalent commands sets the AYT character to **Ctrl/G** (ASCII 7):
 

```
TELNET> SET AYT "^G"
TELNET> SET AYT 7
```
- 2 This example removes the previous character definition, if any, for the AYT control function:
 

```
TELNET> SET NOAYT
```

## SET [NO]BACKWARD

Defines, changes, or disables the "backward (one session)" (BACKWARD) character. If you enter the BACKWARD character during a TELNET session, the "previous" numbered session becomes active. The previous numbered session is the session with the next lowest session number than the current session.

If the current session already has the lowest session number, the session with the highest session number becomes active. If there is only one active session available, that session remains active. In this case SET BACKWARD has no effect.

Ignored if TN3270 mode is active.

### Format

**SET BACKWARD** char  
**SET NOBACKWARD**

### Parameter

**char**

When entered, this character causes the "previous" numbered session to become active. You can specify this character in either of the following formats:

Numeric	ASCII value of the character.
String	Character string enclosed in quotes. Specify control characters by typing a caret (^) before the character.

There is no default BACKWARD character. Define the initial BACKWARD character using the TCPWARE\_TELNET\_BACKWARD logical name (in the process, job, group, or system logical name tables). To define the logical, use one of the following formats:

- \$ **DEFINE/PROCESS TCPWARE\_TELNET\_BACKWARD 2**
- \$ **DEFINE/PROCESS TCPWARE\_TELNET\_BACKWARD ""^B""**

Both commands set the BACKWARD character to **ctr1/B** (ASCII 2). They are equivalent.

### Examples

1 Each of these equivalent commands sets the BACKWARD character to **ctr1/B** (ASCII 2):

```
TELNET> SET BACKWARD "^B"
```

```
TELNET> SET BACKWARD 2
```

2 This example removes the previous character definition, if any, for the BACKWARD control function:

```
TELNET> SET NOBACKWARD
```



## **SET /NO/BINARY**

Initiates negotiations to enable the TRANSMIT BINARY option for the client and server. This command:

- Pertains only to the current session.
- Automatically resumes the current session.

Use the SET NOBINARY command to initiate negotiations to disable the TRANSMIT BINARY option for the client and server.

### **Format**

**SET BINARY**  
**SET NOBINARY**

## SET [NO]BRK

Defines, changes, or disables the break (BRK) character. If you define the BRK character during a TELNET session, Client-TELNET sends the TELNET BRK control function to the server instead of the actual character.

Ignored if TN3270 mode is active. The Server ignores the break character.

### Format

**SET BRK** *char*  
**SET NOBRK**

### Parameter

**char**

When entered, this character sends the TELNET break control function to the server. Specified in either of the following formats:

Numeric	ASCII value of the character.
String	Character string enclosed in quotes. Specify control characters by typing a caret (^) before the character.

There is no default BRK character. Define the initial BRK character using the TCPWARE\_TELNET\_BRK logical name (in the process, job, group, or system logical name tables). To define the logical, use one of the following formats:

- \$ **DEFINE/PROCESS TCPWARE\_TELNET\_BRK 29**
- \$ **DEFINE/PROCESS TCPWARE\_TELNET\_BRK ""^] ""**

Both commands set the break character to **Ctrl1/1** (ASCII 29). They are equivalent.

### Qualifiers

**/FLUSH** (default)  
**/NOFLUSH**

If you specify **/FLUSH**, Client-TELNET discards all characters currently in the output stream from the server when sending the BRK function. Client-TELNET uses the TELNET timing-mark option to accomplish this (the server does not have to support this option for this feature to work).

If you specify **/NOFLUSH**, Client-TELNET sends only the BRK function. If you omit both, the previous setting remains. The initial default is **/FLUSH**.

**Note!** If a server fails to respond properly to the timing-mark option, Client-TELNET may continue to discard output from the server. In this case, use the FLUSH command to resume normal operation.

## Examples

- 1 Each of these equivalent commands sets the break character to `Ctrl1/1` (ASCII 29):

```
TELNET> SET BRK "^]"
```

```
TELNET> SET BRK 29
```

- 2 This example removes the previous character definition, if any, for the break control function:

```
TELNET> SET NOBRK
```

## SET DEBUG

Enables or disables the display of debugging information.

### Format

```
SET DEBUG /CLASS=[(]keyword[,...)]
```

### Qualifier

```
/CLASS[=keyword]
```

SET DEBUG requires the /CLASS qualifier. The optional *keyword* specifies the classes of debugging information to enable or disable. Use parentheses for multiple keywords separated by commas. Table 12-9 lists the supported keywords.

**Table 12-9 Class Keywords**

Keyword	Description
ALL	Enables the display of all classes.
OPTIONS	Enables the display of options negotiation information. Client-TELNET displays messages when it sends or receives TELNET options.
NETINPUT	Logs data that Client-TELNET receives and sends while in TN3270 mode.
NETOUTPUT	Logs data that Client-TELNET sends while in TN3270 mode.
NONE	Disables the display of all classes.
TTYINPUT	Logs data entered by the user at the terminal.

The initial setting is NONE.

SET DEBUG alone, or SET DEBUG /CLASS without the keyword, shows the current debug classes.

### Examples

- 1 This example enables the display of options negotiation information:

```
TELNET> SET DEBUG/CLASS=OPTIONS
```

- 2 This example enables the display of options negotiation information and log-data sent and received while in TN3270 mode:

```
TELNET> SET DEBUG/CLASS=(OPTIONS, NETINPUT)
```

## SET DELETE\_ALLOWED

Allows deletion of an NTA device originally set up as permanent. The deletion occurs when there are no process channels assigned to the device.

See the OPEN /CREATE command for details on creating permanent NTA devices.

### Format

**SET DELETE\_ALLOWED** *nta-device*

### Parameter

**nta-device**

NTA device set up using OPEN /CREATE=(PERMANENT...).

### Example

This example allows the NTA33: device to be deleted when no channels are assigned to it:

```
TELNET> SET DELETE NTA33:
```

## SET /NO]EC

Defines, changes, or disables the "erase character" (EC) character. If you enter the defined EC character during a TELNET session, Client-TELNET sends the TELNET EC control function to the server instead of the actual character.

Ignored if TN3270 mode is active.

### Format

```
SET EC char
SET [NO]EC
```

### Parameter

#### char

When entered, this character sends the TELNET EC control function to the server. You can specify this character in either of the following formats:

Numeric	ASCII value of the character.
String	Character string enclosed in quotes. Specify control characters by typing a caret (^) before the character.

There is no default EC character. Define the initial EC character using the TCPWARE\_TELNET\_EC logical name (in the process, job, group, or system logical name tables). To define the logical, use one of the following formats:

- \$ DEFINE/PROCESS TCPWARE\_TELNET\_EC 4
- \$ DEFINE/PROCESS TCPWARE\_TELNET\_EC ""^D""

Both commands set the EC character to **Ctrl/D** (ASCII 4). They are equivalent.

### Examples

1 Each of these equivalent commands sets the EC character to **Ctrl/D** (ASCII 4):

```
TELNET> SET EC ""^D"
TELNET> SET EC 4
```

2 This example removes the previous character definition, if any, for the EC control function:

```
TELNET> SET NOEC
```

## SET /NO]EL

Defines, changes, or disables the "erase line" (EL) character. If you enter the defined EL character during a TELNET session, Client-TELNET sends the TELNET EL control function to the server instead of the actual character.

Ignored if TN3270 mode is active.

### Format

**SET EL** *char*  
**SET NOEL**

### Parameter

**char**

When entered, this character sends the TELNET EL control function to the server. You can specify this character in either of the following formats:

Numeric	ASCII value of the character.
String	Character string enclosed in quotes. Specify control characters by typing a caret (^) before the character.

There is no default EL character. Define the initial EL character using the TCPWARE\_TELNET\_EL logical name (in the process, job, group, or system logical name tables). To define the logical, use one of the following formats:

- \$ DEFINE/PROCESS TCPWARE\_TELNET\_EL 21
- \$ DEFINE/PROCESS TCPWARE\_TELNET\_EL ""^U""

Both commands set the EL character to **Ctrl/U** (ASCII 21). They are equivalent.

### Examples

- 1 Each of these equivalent commands sets the EL character to **Ctrl/U** (ASCII 21):

```
TELNET> SET EL "^U"
TELNET> SET EL 21
```

- 2 This example removes the previous character definition, if any, for the EL control function:

```
TELNET> SET NOEL
```

## SET [NO]ESCAPE

SET ESCAPE changes the escape (attention) character. This command allows you to change the character to a key that is more convenient. The default escape character is `^\`. You may want to change the escape character if the remote host uses that character to perform some function or if your terminal cannot generate the character.

SET NOESCAPE disables the escape (attention) character.

SET ESCAPE is ignored if TN3270 mode is active. However, SET NOESCAPE applies to all sessions, including TN3270 sessions.

### Format

```
SET ESCAPE char
SET NOESCAPE
```

### Synonym

```
ESCAPE = SET ESCAPE
```

### Parameter

**char**

You can specify this character in either of the following formats:

Numeric	ASCII value of the character.
String	Character string enclosed in quotes. Specify control characters by typing a caret (^) before the character.

You can redefine the default escape (attention) character by defining the logical TCPWARE\_TELNET\_ESCAPE (in the process, job, group, or system logical name tables). The logical value has the same syntax as *char*. To define it, use one of the following formats:

- `$ DEFINE/PROCESS TCPWARE_TELNET_ESCAPE 24`
- `$ DEFINE/PROCESS TCPWARE_TELNET_ESCAPE ""^X""`

Both commands set the escape character to ASCII code 24 (`Ctrl/X`). They are equivalent.

- `$ DEFINE/SYSTEM/EXEC TCPWARE_TELNET_ESCAPE -1`

The `-1` value disables the escape (attention) character.

### Examples

1 Each of these equivalent commands sets the escape character to `Ctrl/X` (ASCII 24):

```
TELNET> SET ESCAPE "^X"
TELNET> SET ESCAPE 24
```



- 2 This example sets the escape character to right brace (}):

```
TELNET> SET ESCAPE "}"
```

- 3 This example removes the previous escape (attention) character definition, if any:

```
TELNET> SET NOESCAPE
```

## SET [NO]FLUSH

Defines, changes, or disables the flush character.

If you enter the defined flush character during a TELNET session, Client-TELNET discards all characters currently in the output stream from the server. Client-TELNET uses the TELNET timing-mark option to accomplish this (a TELNET server need not support this option for this feature to work).

**Note!** Client-TELNET ignores SET FLUSH when TN3270 mode is active.  
If a Server fails to respond properly to the timing-mark option, Client-TELNET may continue to discard all output from the server. In this case, use the FLUSH command to resume normal operation.

### Format

**SET FLUSH** *char*  
**SET NOFLUSH**

### Parameter

**char**

When entered, this character discards all characters currently in the output stream from the server. You can specify this character in either of the following formats:

Numeric	ASCII value of the character.
String	Character string enclosed in quotes. Specify control characters by typing a caret (^) before the character.

There is no default flush character. Define the initial flush character using the TCPWARE\_TELNET\_FLUSH logical name (in the process, job, group, or system logical name tables). To define the logical, use one of the following formats:

- \$ **DEFINE/PROCESS TCPWARE\_TELNET\_FLUSH 15**
- \$ **DEFINE/PROCESS TCPWARE\_TELNET\_FLUSH ""^O""**

Both commands set the flush character to **ctr1/o** (ASCII 15). They are equivalent.

### Examples

1 Each of these equivalent commands sets the flush character to **ctr1/o** (ASCII 15):

```
TELNET> SET FLUSH "^O"  
TELNET> SET FLUSH 15
```

2 Removes the previous character definition, if any, for the flush feature.

```
TELNET> SET NOFLUSH
```

## SET /NO/FORWARD

Defines, changes, or disables the "forward [one session]" (FORWARD) character. If you enter the defined FORWARD character during a TELNET session, the "next" numbered session becomes active. The next numbered session is the session with the next highest session number than the current session.

If the current session already has the highest session number, the session with the lowest session number becomes active. If there is only one active session available, that session remains active. In this case SET FORWARD has no effect.

Ignored if TN3270 mode is active.

### Format

**SET FORWARD** *char*  
**SET NOFORWARD**

### Parameter

#### **char**

When entered, this character causes the "next" numbered session to become active. You can specify this character in either of the following formats:

Numeric	ASCII value of the character.
String	Character string enclosed in quotes. Specify control characters by typing a caret (^) before the character.

There is no default FORWARD character. Define the initial FORWARD character using the TCPWARE\_TELNET\_FORWARD logical name (in the process, job, group, or system logical name tables). This logical value has the same syntax as char. To define the logical, use one of the following formats:

- \$ DEFINE/PROCESS TCPWARE\_TELNET\_FORWARD 1
- \$ DEFINE/PROCESS TCPWARE\_TELNET\_FORWARD ""^A""

Both commands set the FORWARD character to **ctrl/A** (ASCII 1). They are equivalent.

### Examples

- 1 Each of these equivalent commands sets the FORWARD character to **ctrl/A** (ASCII 1):

```
TELNET> SET FORWARD "^A"
TELNET> SET FORWARD 1
```

- 2 This example removes the previous character definition, if any, for the FORWARD control function:

```
TELNET> SET NOFORWARD
```

## SET [NO]GA

Defines, changes, or disables the "go-ahead" (GA) character. If you enter the defined GA character during a TELNET session, Client-TELNET sends the TELNET GA control function to the server instead of the actual character.

Ignored if TN3270 mode is active.

### Format

```
SET GA char
SET NOGA
```

### Parameter

**char**

When entered, this character sends the TELNET GA control function to the server. You can specify this character in either of the following formats:

Numeric	ASCII value of the character.
String	Character string enclosed in quotes. Specify control characters by typing a caret (^) before the character.

There is no default GA character. Define the initial GA character using the TCPWARE\_TELNET\_GA logical name (in the process, job, group, or system logical name tables). To define the logical, use one of the following formats:

- \$ DEFINE/PROCESS TCPWARE\_TELNET\_GA 9
- \$ DEFINE/PROCESS TCPWARE\_TELNET\_GA ""^I""

Both commands set the GA character to **Ctrl/A** (ASCII 9). They are equivalent.

### Examples

1 Each of these equivalent commands sets the GA character to **Ctrl/A** (ASCII 9):

```
TELNET> SET GA "^I"
TELNET> SET GA 9
```

2 This example removes the previous character definition, if any, for the GA control function:

```
TELNET> SET NOGA
```

## SET /NO]IP

Defines, changes, or disables the "interrupt process" (IP) character. If you enter the defined IP character during a TELNET session, Client-TELNET sends the TELNET IP control function to the server instead of the actual character.

Ignored if TN3270 mode is active.

### Format

**SET IP** *char*  
**SET NOIP**

### Parameter

**char**

When entered, this character sends the TELNET IP control function to the server. You can specify this character in either of the following formats:

Numeric	ASCII value of the character.
String	Character string enclosed in quotes. Specify control characters by typing a caret (^) before the character.

There is no default IP character. Define the initial IP character using the TCPWARE\_TELNET\_IP logical name (in the process, job, group, or system logical name tables). To define the logical, use one of the following formats:

- \$ DEFINE/PROCESS TCPWARE\_TELNET\_IP 25
- \$ DEFINE/PROCESS TCPWARE\_TELNET\_IP ""^Y""

Both commands set the IP character to **Ctrl/Y** (ASCII 25). They are equivalent.

### Qualifiers

**/FLUSH** (default)

**/NOFLUSH**

With **/FLUSH**, Client-TELNET discards all characters currently in the server's output stream when sending the IP control function. It uses the TELNET timing-mark option (the server does not have to support this option for this feature to work). With **/NOFLUSH**, Client-TELNET sends only the IP control function. If you omit both, the previous setting remains. The initial default is **/FLUSH**.

If a Server fails to respond properly to the timing-mark option, Client-TELNET can continue to discard all output from the server. If so, use **FLUSH** to resume normal operation.

**/SYNCH**

**/NOSYNCH** (default)

Sends the IP command followed by the SYNCH signal.

## Examples

- 1 Each of these equivalent commands sets the IP character to **Ctrl/Y** (ASCII 25):

```
TELNET> SET IP "^Y"
```

```
TELNET> SET IP 25
```

- 2 This example removes the previous character definition, if any, for the IP control function.

```
TELNET> SET NOIP
```

## SET /NO/LOCAL\_FLOW\_CONTROL

Controls the handling of the XON/XOFF characters (**Ctrl/S** and **Ctrl/Q**) when connected to a remote system. **Ctrl/S** stops transmission and **Ctrl/Q** resumes TELNET transmission. Under normal conditions, the terminal driver processes **Ctrl/S** and **Ctrl/Q** locally and does not send them to the remote TELNET server.

Client-TELNET supports RFC 1372 (*Telnet Remote Flow Control Option*), which lets the remote server tell the client when to enable and disable local flow control. These commands are not related to that option, but rather let the user control the local flow control setting if the remote server does NOT support the Remote Flow Control Option.

Use SET NOLOCAL\_FLOW\_CONTROL to pass the **Ctrl/S** and **Ctrl/Q** characters to the remote TELNET server and NOT process them locally.

The default flow control setting depends on the TT\$V\_TTSYNC value for the terminal. You can set "TTSync" mode (local flow control) outside of TELNET by using the DCL SET TERMINAL /TTSYNC command, or set "No TTSync" mode (server flow control) by using the DCL SET TERMINAL /NOTTSYNC command; some full-screen editors also set these modes. However, if you are inside TELNET, SET NOLOCAL\_FLOW\_CONTROL can force the terminal into "No TTSync" mode for a particular connection.

### Format

**SET LOCAL\_FLOW\_CONTROL** (default)  
**SET NOLOCAL\_FLOW\_CONTROL**

### Example

```
TELNET> SET NOLOCAL
TELNET> SHOW STATUS
Client-TELNET V5.9-1 Copyright (c) 2007 Process Software

Connected session: -->1. beans.example.edu, telnet (192.168.0.50)

Terminal type: VT300
Local flow control: OFF
"^D" is the escape (attention) character.
```

## SET LOG

Opens or closes a log file. Client-TELNET uses a log file to save the output from a remote host. While connected to a remote host, Client-TELNET also puts all output the remote host sends your terminal into the log file.

SET LOG logs output from every connected session. If multiple connections exist, there is no way to specify that you want to log only output from a specified session to the log file.

### Format

**SET LOG** [*file*]

Opens the local file *file* and begins logging.

To close a log file (and stop logging), enter SET LOG with no file specification.

### Parameter

#### **file**

OpenVMS file specification of the file that logs the remote host's output. If omitted, Client-TELNET closes the present log file (if there is one).

### Qualifiers

**/DATA** (default)

**/NODATA**

**/DATA** logs all data sent to the specified file (the default). **/NODATA** disables this.

**/OPTIONS**

**/NOOPTIONS** (default)

**/OPTIONS** prints option negotiations to the specified log file, in addition to performing normal logging. **/NOOPTIONS** (the default) disables options printing.

### Examples

1 This example opens the file TEXT.LOG and enables logging:

```
TELNET> SET LOG TEXT.LOG
```

2 This example closes a log file and stops logging:

```
TELNET> SET LOG
```

3 This example opens the file TEXT.LOG, enables normal logging, and prints options negotiations to the TEXT.LOG file:

```
TELNET> SET LOG TEXT.LOG /OPTIONS
```

4 This example opens the file TEXT.LOG and prints only option negotiations (and no data) to the TEXT.LOG file:

```
TELNET> SET LOG TEXT.LOG /OPTIONS /NODATA
```



## SET PRINT

Sets how you want the PRINT key to work while in TN3270 mode. You must be in TN3270 mode to use this command.

If you omit the qualifiers, the default is SET PRINT /FILE=SYSS\$LOGIN:TN3270.TXT /NOAPPEND.

This means that the default print setting is OPEN/TN3270 /PRINT=(FILE=SYSS\$LOGIN:TN3270.TXT, NOAPPEND).

### Format

**SET PRINT** [*qualifiers*]

Opens local file *file* and begins logging.

To close a log file (and stop logging), enter SET LOG with no file specification.

### Qualifiers

**/APPEND**

**/NOAPPEND** (default)

Use with the /FILE qualifier only. /APPEND appends the TN3270 screen dump onto the specified file. /NOAPPEND creates a new file or overwrites the existing one.

**/FILE=filename**

File in which to dump the TN3270 screen. You can use this with the optional /APPEND or /NOAPPEND qualifier.

**/FORM=form-name**

Use with the /QUEUE qualifier only. Specifies the form name to use in a TN3270 screen print.

**/QUEUE=qname**

Queue to which to print the TN3270 screen. You can use this with the optional /FORM qualifier and value.

### Examples

- 1 This example sets the print behavior so that it prints the current TN3270 screen to a print file and appends it onto the end of the file:

```
TELNET> SET PRINT /FILE=PRINTFILE.TXT /APPEND
```

- 2 This example sets the print behavior so that it prints the current TN3270 screen to a print queue:

```
TELNET> SET PRINT /QUEUE=ENG_PRINTER_ASCII
```

## SET TERMINAL\_TYPE

Requests the server to support a specific terminal type or types if negotiating the terminal type option.

Normally, you do not need to use this command. Client-TELNET uses the following default list of supported terminal types: VT52, VT55, VT61, VT62, VT100, VT102, VT125, VT131, VT132, VT200, VT220, VT240, VT300, VT320, VT340, and *IBM-3278-model-number*.

If you specify an IBM-3278 terminal type, make sure your local terminal supports the screen size associated with the specified model number. If your terminal does not support the screen size, the data will not display properly.

See Table 12-1 for screen sizes for each model.

Use the SHOW STATUS or SHOW OPTIONS commands to show the current terminal type used.

The TCPWARE\_TELNET\_TERMINAL\_TYPE logical performs the same function as the SET TERMINAL\_TYPE command. This logical requires the following syntax:

```
$ DEFINE/SYSTEM/EXEC TCPWARE_TELNET_TERMINAL_TYPE "type"
```

### Format

```
SET TERMINAL_TYPE type[,type,...]
```

### Parameter

**type**

A valid terminal type. Client-TELNET requests the server to support these types in the specified order.

### Examples

- 1 This example requests the server to support the VT300 and VT100 terminal types, in that order:

```
TELNET> SET TERMINAL_TYPE VT300, VT100
```

- 2 This example requests the server to support the IBM-3278-3 terminal type. If possible, Client-TELNET resizes the local window to accommodate a 32 x 80 screen size for model 3 (see Table 12-1).

```
TELNET> SET TERMINAL_TYPE IBM-3278-3
```

## SET TRANSLATION

Sets the carriage return/line feed (CR/LF) character translation.

Does not apply to TN3270 mode.

### Format

**SET TRANSLATION**

### Qualifiers

*/RECEIVE=keyword*

Specifies the mapping for characters received from the server before they become output. See Table 12-10 for the keywords and their meaning.

The default is /RECEIVE=NONE.

*/SEND=keyword*

Specifies the mapping for characters entered at the keyboard before Client-TELNET sends them to the server. See Table 12-10 for the keywords and their meaning.

The default is /SEND=CR.

**Table 12-10 SET TRANSLATION Keywords**

<b>Keyword</b>	<b>Translation</b>
CR	Client-TELNET translates the carriage return character to a CR/LF sequence
LF	Client-TELNET translates the line feed character to a CR/LF sequence
NONE	Client-TELNET does not translate characters to the CR/LF sequence

## **SET [NO]XDISPLOC**

Enables or disables setting your current X display location on the remote end, when communicating with a remote TELNET server that also supports this option. Client TELNET checks whether the logical DECW\$DISPLAY is defined. If it is, and if the remote server asks for the X display location, the X display server address is transmitted to the remote system.

Use SET NOXDISPLOC before making a connection to disable sending the X display location.

### **Format**

```
SET XDISPLOC  
SET NOXDISPLOC
```

### **Example**

```
TELNET> SET NOXDISPLOC  
TELNET> OPEN ALPHA  
$ SHOW DISPLAY  
Error opening DECW$DISPLAY as input  
No such device available  
ALPHA>
```

## SHOW OPTIONS

Displays information about the options in effect.

Options modify the way TELNET handles your terminal over the network. When you first establish a connection, both hosts negotiate for the options to use based on the options that each host supports. You can also use the SEND command to change options.

### Format

**SHOW OPTIONS**

### Example

```
TELNET> SHOW OPTIONS
```

```
Current TELNET options status:
```

```
Remote ECHO
No remote TRANSMIT-BINARY (normal ASCII)
No local TRANSMIT-BINARY (normal ASCII)
Remote SUPPRESS-GO-AHEADS
Local SUPPRESS-GO-AHEADS
No remote END-OF-RECORD
No local END-OF-RECORD
Local TERMINAL-TYPE: VT300
Local FLOW-CONTROL: ON
Local WINDOW-SIZE: 80x35
Local X-DISPLAY-LOCATION: 192.168.5.195:0.0
```

## SHOW STATUS

Displays information about all open TELNET connections and your current TELNET session.

The screen displays the following information:

- Session number, name and internet address of each remote host if a connection is open. An arrow (-->) indicates the current session.
- The list of supported terminal types if no remote connection is open.
- The terminal type used, if a remote connection is open and Client-TELNET negotiated for the terminal type.
- Whether local flow control is ON or OFF.
- Name of the log file if one is open.
- Name of the host character set.
- Name of the terminal character set.
- The current "abort output" (AO), "are you there" (AYT), backward, break (BRK), "erase character" (EC), "erase line" (EL), escape, forward, flush, "interrupt process" (IP), and "go-ahead" (GA) characters (if defined).

### Format

**SHOW STATUS**

### Synonym

**STATUS**

### Example

```
TELNET> SHOW STATUS
```

```
Client-TELNET V5.9-1 Copyright (c) 2007 Process Software
```

```
Connected sessions:
```

```
  1. bart.nene.com, telnet (192.168.1.92,23).
```

```
  -->2. marge.nene.com, telnet (192.168.1.91,23).
```

```
"^\" is the escape (attention) character
```

```
Current session is operating in 3270 mode.
```

```
Terminal type: IBM-3278-2
```

```
Local flow control: ON
```

```
Keyboard Map File: TCPWARE:MAP3270.DAT
```

```
Host Character Set: CANADIAN
```

```
Terminal Character Set: LATIN1
```

```
"^C" is the escape (attention) character.
```

## **SHOW TRANSLATION**

Displays the current translation settings made using SET TRANSLATION. Both the received and sent translations appear.

### **Format**

**SHOW TRANSLATION**

### **Example**

```
TELNET> SHOW TRANSLATION
```

```
No characters are translated to CRLF when received.
```

```
CR is translated to CRLF when sent.
```

## SPAWN

Executes DCL commands.

**Note!** You cannot SPAWN with CAPTIVE accounts.

### Format

**SPAWN** [command-line]

### Synonym

**Z** [*command-line*]

### Parameter

#### **command-line**

DCL command line that you want executed. If omitted, Client-TELNET spawns an interactive subprocess. To return to TELNET from an interactive subprocess, logout of that subprocess.

### Examples

**1** This example displays the time on your local host without leaving the TELNET utility:

```
TELNET> SPAWN SHOW TIME  
3-Nov-2004 14:02:48
```

**2** This example initiates DCL command mode and returns the DCL prompt:

```
TELNET> SPAWN  
$ SHOW TIME  
3-Nov-2004 14:02:51  
$ LOGOUT  
Process SMITH_1 logged out at 3-Nov-2004 14:02:54.34  
TELNET>
```

To exit the DCL command mode and return to TELNET, enter the LOGOUT command at the DCL prompt.



## Chapter 13

---

# TFTP: Trivial File Transfers

## Introduction

The Trivial File Transfer (TFTP) utility provides the user interface to TFTP. This program allows a user to transfer files to and from a remote host. TFTP primarily allows remote diskless systems to read bootstrap images over the network. TFTP uses UDP to make transfers. It does not provide user login validation.

See Chapter 4 of the *Installation and Configuration Guide for information* about configuring the TFTP server.

FTP-OpenVMS is a more complete file transfer facility than TFTP.

See Chapter 3, *FTP: Transferring Files*, for details on FTP-OpenVMS.

## Invoking TFTP

To invoke TFTP, enter at the DCL prompt:

```
TFTP [host [port]]
```

If you specify a host name, TFTP uses that host for subsequent file transfers. If you also specify a port number, TFTP uses the specified host and port for subsequent file transfers.

## Command Reference

You interact with TFTP by typing commands at the `TFTP>` prompt. Client-TFTP supports the following OpenVMS-style commands:

CONNECT	MODE	REXMT	TIMEOUT	HELP
GET	PUT	STATUS	TRACE	QUIT

TFTP offers 20-line recall on the command level.

## CONNECT

Sets the host and, optionally, the port number for subsequent file transfers. Note that TFTP uses UDP and, therefore, does not maintain the connection between transfers.

### Format

`CONNECT host [port]`

### Synonym

`OPEN`

### Parameters

#### **host**

Name of the remote host to which you want to connect. The host must exist on the network.

#### **port**

Service name or number of the remote port that you want to connect to. The default port number is 69 for read and write requests. You do not need to specify the port number unless you are connecting to a nonstandard server.

### Example

Each of these equivalent commands connects to host SIGMA for a file transfer:

```
tftp> connect sigma
tftp> open sigma
```

## GET

Gets a file from the previously specified remote host. TFTP writes the local file as a STREAM\_LF formatted file.

Since TFTP does not authenticate the client, the server allows access only to files in the directory and its subdirectories defined by the TCPWARE\_TFTP\_ROOT logical.

The server converts UNIX filenames with their directories into VMS filenames as in Table 13-1. The directory specification is *dir* and the filename specification with its extension is *filename.ext*.

**Table 13-1 TFTP UNIX-to-VMS Filename Conversions**

UNIX Filename...	Is Converted to VMS Filename...
dir/filename.ext	[.dir]filename.ext
/dir/filename.ext	[.dir]filename.ext

## Format

**GET** *remote-file* [*local-file*]

## Parameters

### **remote-file**

Input file specification on the remote host.

### **local-file**

Output file specification on the local host. If omitted, Client-TFTP uses the remote-file filename and extension.

## Examples

- 1 This command transfers the US-DOMAIN-INFO.TXT file from the previously specified host:  

```
tftp> get us-domain-info.txt
```
- 2 This command transfers the US-DOMAIN-INFO.TXT file from the previously specified host as file LOCALSTUFF.TXT:  

```
tftp> get us-domain-info.txt localstuff.txt
```

## HELP

Displays a brief help message summarizing the commands.

### Format

**HELP** [*command*]

### Parameter

**command**

Optional command for which you want help.

### Examples

This command provides help for the CONNECT and GET commands:

```
tftp> help connect
connect to remote tftpd
tftp> help get
receive file
```

## MODE

Sets the file transfer mode to type; type may be either ASCII or BINARY. The initial type is ASCII.

### Format

**MODE** *type*

### Parameter

**type**

The mode type, either ASCII or BINARY.

### Example

This command changes the transfer mode to BINARY (Mode: octet):

```
tftp> mode binary
tftp> status
Connected to SIRIUS.nene.com.
Mode:
octet Tracing: off
Rexmt-interval: 5 seconds, Max-timeout: 25 seconds
```

## PUT

Puts a file to the previously specified remote host.

Since TFTP does not authenticate the client, the server allows access only to files in the directory and its subdirectories defined by the TCPWARE\_TFTP\_ROOT logical.

The server converts OpenVMS filenames with their directories into UNIX filenames as in Table 13-2. The directory specification is *dir* and the filename specification with its extension is *filename.ext*.

**Table 13-2 TFTP UNIX-to-VMS Filename Conversions**

UNIX Filename...	Is Converted to VMS Filename...
dir/filename.ext	[.dir]filename.ext
/dir/filename.ext	[.dir]filename.ext

### Format

**PUT** *local-file* [*remote-file*]

### Parameters

#### **local-file**

Input file specification on the local host.

#### **remote-file**

Output file specification on the remote host. If omitted, Client-TFTP uses the *local-file* filename and extension.

### Examples

- 1 This command transfers the US-DOMAIN-INFO.TXT file to the previously specified host:  

```
tftp> put us-domain-info.txt
```
- 2 This command transfers the US-DOMAIN-INFO.TXT file to the previously specified host as file REMOTESTUFF.TXT:  

```
tftp> put us-domain-info.txt remotestuff.txt
```

## **QUIT**

Exits the TFTP program. You can also use Ctrl/Z and EXIT to exit the program.

### **Format**

**QUIT**

### **Synonyms**

**EXIT**

**Ctrl/Z**

### **Examples**

Each of these equivalent commands exits from TFTP:

```
tftp> quit  
tftp> exit  
tftp> Ctrl/Z
```



## REXMT

Sets the retransmit timer, in seconds. The initial value is 5 seconds.

The value you enter for REXMT is also used together with the specified maximum timeout (set using the TIMEOUT command) to determine the number of times to try and the actual maximum timeout reported in a status request (STATUS).

If the default 5 seconds retransmit interval is used together with the default 25 seconds maximum timeout, the number of times to try is 5, according to the formula:

$$\text{Max-timeout} = \text{Rexmt-interval} \times \text{Tries}$$

The REXMT value you enter is always reported (unchanged) on the `Rexmt-interval` line in a STATUS request. However, the maximum timeout may be recalculated before being reported as `Max-timeout`.

See the TIMEOUT command for details on `Max-timeout` recalculation.

### Format

**REXMT** [*time*]

### Parameter

**time**

The time value to set the retransmit timer. If omitted, the value is 5 seconds.

### Example

This command changes the retransmit timer (`Rexmt-interval`) to 10 seconds (and the subsequent STATUS command shows the result). The `Max-timeout` is set to five times the `Rexmt-interval` by default.

```
tftp> rexmt 10
tftp> status
Connected to SIRIUS.nene.com.
Mode:
octet Tracing: off
Rexmt-interval: 10 seconds, Max-timeout: 50 seconds
```

## STATUS

Displays the current status and parameter settings.

The Max-timeout reported is based on the following computation:

$$\text{Max-timeout} = \text{Rexmt-interval} \times \text{Tries}$$

The number of tries (**Tries**) is initially 5 unless adjustments are made to the Max-timeout and Rexmt-interval values (see below for an example).

**Note!** The total retransmission period (Max-timeout) value displayed may be slightly different from that set using the TIMEOUT command. (See the TIMEOUT command for an explanation.)

### Format

**STATUS**

### Examples

This command shows the connection status, file transfer mode (**Mode:**), packet trace flag status (**Tracing:**), retransmit timer (**Rexmt-interval:**), and total retransmission period (**Max-timeout:**) values over the period of a number of adjustments. (See the TIMEOUT command for an explanation of the Max-timeout recalculations.)

```
tftp> connect spica
tftp> stat
Connected to spica.nene.com.
Mode: netascii Tracing: off
Rexmt-interval: 5 seconds, Max-timeout: 25 seconds
tftp> rexmt 4
tftp> stat
Connected to spica.nene.com.
Mode: netascii Tracing: off
Rexmt-interval: 4 seconds, Max-timeout: 20 seconds
tftp> timeout 40
tftp> stat
Connected to spica.nene.com.
Mode: netascii Tracing: on
Rexmt-interval: 4 seconds, Max-timeout: 40 seconds
tftp> timeout 30
tftp> stat
Connected to spica.nene.com.
Mode: netascii Tracing: on
Rexmt-interval: 4 seconds, Max-timeout: 28 seconds
```

## TIMEOUT

Sets the total retransmission period, in seconds. The initial value is 25 seconds.

**Note!** Minor adjustments to the specified retransmission period as reported using STATUS can occur based on concurrent changes made to the retransmit timer setting (REXMT). The retransmission period is calculated based on the following formula:

$$\text{Max-timeout} = \text{Rexmt-interval} \times \text{Tries}$$

The Tries value must be an integer value. Thus, if the Max-timeout specified using the TIMEOUT command forms a non-integer ratio with the Rexmt-interval value, the Max-timeout is adjusted accordingly. (See the example.)

### Format

**TIMEOUT** [*time*]

### Parameter

**time**

The total retransmission period, in seconds. If omitted, the value is 25 seconds.

### Examples

Note the way in which the retransmission period is adjusted in this example:

```
tftp> connect spica
tftp> stat
Connected to spica.nene.com.
Mode: netascii Tracing: off
Rexmt-interval: 5 seconds, Max-timeout: 25 seconds
tftp> rexmt 4
tftp> stat
Connected to spica.nene.com.
Mode: netascii Tracing: off
Rexmt-interval: 4 seconds, Max-timeout: 20 seconds
tftp> timeout 40
tftp> stat
Connected to spica.nene.com.
Mode: netascii Tracing: on
Rexmt-interval: 4 seconds, Max-timeout: 40 seconds
tftp> timeout 30
tftp> stat
Connected to spica.nene.com.
Mode: netascii Tracing: on
Rexmt-interval: 4 seconds, Max-timeout: 28 seconds
```

- The retransmit timer and number of tries are both set to 5 by default, so that initially the Max-

`timeout` is 25.

- With the retransmit timer (**`rext`**) reset to 4, the `Max-timeout` changes to  $4 \times 5 = 20$ .
- Doubling the maximum timeout (**`timeout 40`**), recalculates the number of retries to  $40 / 4 = 10$ .
- Changing the maximum timeout to 30 (with the `rext` still set to 4) recalculates the retries to 7, and adjusts the `Max-timeout` to  $4 \times 7 = 28$ .

## TRACE

Toggles the packet trace flag.

### Format

**TRACE**

### Example

This command enables packet tracing. A GET operation shows a timeout on a file transfer read request.

```
tftp> trace
Packet tracing on.
tftp> status
Connected to SIRIUS.nene.com.
Mode: octet Tracing: on
Rexmt-interval: 10 seconds, Max-timeout: 60 seconds
tftp> get rfc999.txt pokertwo.txt
rqst sent RRQ <file=rfc999.txt, mode=octet>
rqst sent RRQ <file=rfc999.txt, mode=octet>
rqst sent RRQ <file=rfc999.txt, mode=octet>
rqst sent RRQ <file=rfc999.txt, mode=octet>
rqst sent RRQ <file=rfc999.txt, mode=octet>
rqst sent RRQ <file=rfc999.txt, mode=octet>
Receive request timed out
```



# Token Authentication: Protecting Logins

## Introduction

Token authentication allows you to set additional security restrictions on your FTP, TELNET, RLOGIN, and SET HOST logins. You can set up token authentication through TCPware's Access Control Encryption Client (ACE/Client) on the OpenVMS host, which communicates with Security Dynamics' ACE/Server on a UNIX or Windows NT host. The authentication takes place through a physical SecurID token "smart card" that you use to provide the ACE/Server with the necessary login information.

This chapter explains the TCPware ACE/Client, its interaction with the ACE/Server, and how to enter login information using the SecurID token.

## What Is the ACE/Client?

Passwords have long been the front line of defense in protecting hosts and networks, and have come under scrutiny because of well-publicized security breaches. Applications that require passwords to access resources are especially vulnerable to these security breaches.

TCPware's token authentication, in collaboration with Security Dynamics Corporation's Access Control Encryption Server (ACE/Server), works with a two-factor password system to help solve this security problem. Token authentication combines use of the regular login password with a time-based code derived from a token. The authentication system consists of a secure server and the client connected to the devices that need to be protected.

Security Dynamics provides the ACE/Server and a backup server (Slave ACE/Server). TCPware provides the ACE/Client. The ACE/Client handles the interaction between the client and the ACE/Server software at the place where the client is responsible for gathering the authentication data from the user.

The authentication "token" in this case is the Security Dynamics SecurID "smart card," a physical card containing a microprocessor that generates a new, unpredictable code every 60 seconds on its liquid crystal display (LCD). The Server synchronizes and checks this code, when entered, with the

user's memorized personal identification number (PIN). These two codes together form the user's PASSCODE.

Token authentication is available for FTP-OpenVMS, TELNET-OpenVMS, RLOGIN, and the OpenVMS SET HOST command.

The TCPware ACE/Client supports Security Dynamics' proprietary encryption (SDI Encryption). The ACE/Server must also use SDI Encryption. The ACE/Server runs on a UNIX or Windows NT machine. The ACE/Client must be registered with the ACE/Server.

## Terms

Special terms used in this chapter include:

PIN	Your personal identification number. The PIN consists of four to eight alphanumeric characters. Depending on the policy set by your system manager, either you create your PIN or your system manager creates your PIN.
Duress PIN	Special PIN to use if you are being compromised during the login process.
PASSCODE	Combination of your PIN and the tokencode. If you have a key fob or a standard card, you enter the full PASSCODE (your PIN immediately followed by the current tokencode without a separating space) at the login password prompt. If you have a PINPAD] card, you enter the PIN into your card and then enter the PASSCODE given on the card at the login password prompt.
Tokencode	Random number currently displayed on your Security Dynamics SecurID smart card.

## Identifying the SecurID Token Type

SecurID tokens are small, hand-held devices containing microprocessors that calculate and display unpredictable codes. The codes change at a specified interval, typically every 60 seconds.

As an authorized user on a protected system, you are assigned a SecurID token to use when accessing a protected resource. The code displayed on the token at the moment you attempt access is one part of the user's SecurID PASSCODE, which is required for positive authentication and system access. The other part is your valid, memorized PIN.

There are currently three hardware types of SecurID tokens:

Standard SecurID Card	a rectangular card with the tokencode displayed at the upper right hand corner of the card.
SecurID Key Fob	an oblong key fob with a key holder with the tokencode displayed on the center of the fob.



SecurID PINPAD card	a rectangular card with the tokencode displayed at the upper right hand corner and a digit keypad at the bottom from which to enter the PIN.
---------------------	--

See the *Logging In with a SecurID Token* section.

## Login Interfaces

The user interface to token authentication is through login screens for FTP, TELNET, RLOGIN, and SET HOST that display the usual username prompt followed by:

For	the usual password prompt at which to enter...
FTP	the PASSCODE.
TELNET, RLOGIN, and SET HOST	your usual password, along with an <b>Enter PASSCODE:</b> prompt at which to enter the PASSCODE.

**Note!** For an FTP login, the token cannot be in Next Tokencode or New PIN mode.

Example 14-1 shows a sample FTP login sequence to host BART. The shaded areas show values entered but not displayed on the screen. The PASSCODE is a combination of the PIN and the tokencode when used with a Standard Card or Key Fob.

### Example 14-1 FTP Login Sequence Using Token Authentication

```

$ FTP BART
220 bart.process.com (192.168.34.56) FTP-OpenVMS FTPD V5.9-1 (c) 2007
Process Software
331 Password required.
230 User logged in, proceed.

  _Username [MARGE]: MARGE
331 Password required.
  _Password: 192837465
230 User logged in, proceed.
214 SITE +VMS+ recognized.
```

Example 14-2 shows a sample TELNET login sequence to host BART. The shaded areas show values entered but not displayed on the screen. The PASSCODE is a combination of the PIN and the tokencode when used with a Standard Card or Key Fob.

### Example 14-2 TELNET Login Sequence Using Token Authentication

---

```
$ TELNET BART
%TCPWARE_TELNET-I-TRYING, trying BART.nene.com,telnet
(192.168.142.1,23) ...
%TCPWARE_TELNET-I-ESCCHR, escape (attention) character is "^\""
```

Welcome to OpenVMS Alpha (TM) Operating System, Version V6.2

```
Username:  MARGE
Password:  MYPASSWORD
```

```
Enter PASSCODE:  192837465
PASSCODE Accepted
```

(Bart) \$

## Logging In with a SecurID Token

You may have been assigned one of the following SecurID tokens:

Standard SecurID Card	a rectangular card with the tokencode displayed at the upper right hand corner of the card.
SecurID Key Fob	an oblong key fob with a key holder with the tokencode displayed on the center of the fob.
SecurID PINPAD card	a rectangular card with the tokencode displayed at the upper right hand corner and a digit keypad at the bottom from which to enter the PIN.

To access the protected system, you must enter a valid SecurID PASSCODE], which is made up of two factors:

- Your secret, memorized personal identification number (PIN)
- The tokencode currently displaying on your token

With a conventional security system, it is easy for someone to learn your password and log in under your identity. Requiring two factors ensures reliable identification and authentication.

## User Responsibilities

Because this system creates an audit trail that cannot be repudiated, you may be held accountable for activities recorded identifying you as the user. Avoid the unauthorized use of your identity and privileges by protecting the secrecy of your PIN and the possession of your token.

You are responsible for protecting the authentication factors entrusted to you. Keep your PIN secret and protect your SecurID token against loss and theft.

If an unauthorized person learns your PIN and obtains your token, this person can assume your identity. Any action taken by this intruder will be attributed to you in the system's security log.

For your own protection and that of the system, always take the following precautions:

- Never reveal your PIN to anyone. Do not write it down.
- If you think someone learned your PIN, notify the security administrator, who will clear the PIN immediately. At your next login you will have to receive or create a new PIN.
- Exercise care not to lose your SecurID token or to allow it to be stolen. If your token is missing, tell an administrator immediately. The administrator will disable it so that it is useless to unauthorized users.
- Do not let anyone access the system under your identity—do not let them log in with your PIN and a code from your SecurID token.
- It is essential to site security that you follow your system's standard logoff procedures. Failure to log off properly can create a route into the system that is completely unprotected.
- Protect your SecurID token from physical abuse. Do not immerse it in liquids, do not expose it to extreme temperatures and do not put it under pressure or bend it. Each SecurID token comes with care instructions that you should read and follow.

## Before You Begin

Have your ACE/Server security administrator fill in the following information before you attempt to log in for the first time:

The system will assign a PIN to you; you cannot create your own  
(See the *Receiving a System-Generated PIN* section)

You can use a PIN that you make up yourself  
(see the *Creating Your Own PIN* section)

Your PIN can contain letters as well as digits  
(Applies to the Standard Card and Key Fob only)

All PINs on the system must be the same number of characters: \_\_\_\_  
(Applies to the Standard Card and Key Fob only)

All PINs on the system must be the same number of digits: \_\_\_\_  
(Applies to the PINPAD card only)

Your PIN can contain from \_\_\_\_ through \_\_\_\_ characters  
(Applies to the Standard Card and Key Fob only)

Your PIN can contain from \_\_\_\_ through \_\_\_\_ digits  
(Applies to the PINPAD card only)

You can use a duress PIN  
(See the *Using a Duress PIN* section)

## Receiving a System-Generated PIN

The following steps allow you to use a system-generated PIN:

- 1 **For PINPAD only:** Clear PIN entries from your card. Press any number on the card, then press the **P** on the lower right of the card. The display clears and a new tokencode shows after the last of the countdown indicators disappears from the left of the LCD.

**Note!** For FTP logins, you must first log in on a terminal session such as TELNET or SET HOST to receive your PIN before you can initiate an FTP session.

- 2 Initiate a terminal login session. After you respond to the usual prompt for your login name, the system asks you to enter a PASSCODE.
- 3 If you never received a PIN before, enter the code that is currently displaying on your SecurID token at the **Enter PASSCODE** prompt.

If your token previously had a PIN and the administrator did not clear it when setting it in New PIN mode:

- **For Standard Card and Key Fob only:** Enter the old PIN and *right after it*, the code that is currently displaying on your token. (Do not separate the two with a space.)
  - **For PINPAD only:** Enter the old PIN into the card and press the diamond (**u**) near the bottom of the card. Then at the **Enter PASSCODE** prompt, enter the code displayed on the card.
- 4 Press **Return**. If you entered the code incorrectly, the system displays an **Access denied** message. Try again. Once you enter a valid tokencode, the following message appears:  
**Press <Return> to generate a new PIN and display it on screen**  
**or**  
**<Ctrl d> to cancel the New PIN procedure:**
  - 5 If anyone else can see your screen, press **Ctrl/D** so that your secret PIN is not displayed on your screen. The operation is canceled and your card or key fob is still in New PIN mode.  
If no one else can see your screen, press **Return** to receive your new PIN. Your PIN is displayed for 10 seconds or until you press **Return**.
  - 6 Memorize your new PIN. Do not write it down.
  - 7 You are now ready to log in. Wait for the next tokencode, then follow the instructions in the *Login Steps* section.

## Creating Your Own PIN

The following steps allow you to create your own PIN:

- 1 If you are going to create your own PIN, first give some thought to what it will be. Do not pick an obvious number like a birthday or phone number. See your checklist. You may be allowed letters or digits, or just digits, and the length may be fixed somewhere between four and eight characters, or you may be allowed any number of characters in that range. **For PINPAD only:** PINs cannot begin with a zero.

- 2 For PINPAD only:** Clear PIN entries from your card. Press any number on the card, then press the **P** on the lower right of the card. The display clears and a new tokencode shows after the last of the countdown indicators disappears from the left of the LCD.

**Note!** For FTP logins, you must first log in on a terminal session such as TELNET or SET HOST to receive your PIN before you can initiate an FTP session.

- 3** Initiate a terminal login session. After you respond to the usual prompt for your login name, the system asks you to enter a PASSCODE.

- 4** If you never received a PIN before, enter the code that is currently displaying on your SecurID token at the **Enter PASSCODE** prompt.

If your token previously had a PIN and the administrator did not clear it when setting it in New PIN mode:

- **For Standard Card and Key Fob only:** Enter the old PIN and *right after it*, the code that is currently displaying on your token. (Do not separate the two with a space.)
- **For PINPAD only:** Enter the old PIN into the card and press the diamond (**u**) near the bottom of the card. Then at the **Enter PASSCODE** prompt, enter the code displayed on the card.

- 5** Press **Return**. If you entered the code incorrectly, the system displays an **Access denied** message. Try again. Once you enter a valid tokencode, you are prompted to perform the New PIN operation.

- 6** If the prompt reads:

**Enter your new PIN, containing 4 to 8 characters, or  
Press <Return> to generate a new PIN and display it on screen  
or <Ctrl d> to cancel the New PIN procedure:**

do one the following and go to Step 8. Otherwise, go to Step 7 now.

- If anyone else can see your screen, press **Ctrl/D** to cancel the operation and leave your token in New PIN mode.
- If you want the system to generate a PIN for you and no one else can see your screen, press **Return**. Your PIN is displayed for 10 seconds or until you press **Return**.
- If you want to create your own PIN and no one else can see your screen, enter the PIN you would like to use, again remembering the guidelines in step 1.

- 7** If the prompt reads:

**Enter your new PIN, containing 4 to 8 characters,  
or Ctrl/D to cancel the New PIN procedure:**

then you have to create your own PIN. You cannot have the system generate one for you. If anyone else can see your screen, press **Ctrl/D** to cancel the operation and leave your token in New PIN mode. Otherwise, type in the PIN you would like to use, again remembering the guidelines in Step 1.

- 8** Memorize your new PIN. *Do not write it down.*

- 9 You are now ready to log in. Wait for the next tokencode, then follow the instructions in the following *Login Steps* section.

## Login Steps

Use the following two steps to log in:

- 1 Initiate a login session. After you respond to the usual prompt for your login name, you may get your usual password prompt:
  - If you are using TELNET, RLOGIN, or SET HOST, enter your usual password at the password prompt and press **Return**. Then go to Step 2.
  - If you are using FTP, the password prompt is your PASSCODE prompt. Enter your PIN immediately followed by the code currently displaying on your token, *without any separating space* and press **Return**.
- 2 At the **Enter PASSCODE:** prompt, enter your PIN immediately followed by the code currently displaying on your token, *without any separating space*.

If you entered a valid PASSCODE, the system displays the message **PASSCODE accepted**.

Once accepted, a SecurID PASSCODE cannot be used again. To log in again, you must wait for a new tokencode to appear. The stack of countdown indicators on the left side of the LCD lets you know how soon the code will be changing.

If the system displays the message **Access denied** instead, you may have typed in your PASSCODE incorrectly. Try again. If you are repeatedly denied access even though you are typing your PASSCODE correctly, contact your system administrator.

## "Next Code" Prompt

On the third attempt to log in with a valid PIN but with an invalid tokencode, the system asks you to enter the next code that appears:

**Please enter the next code from your token:**

Wait until the stack of countdown indicators on the left side of the LCD tokencode goes down and the code changes, then go ahead and carefully type the new one followed by **Return**.

If you are not granted access after correctly entering the next code, contact your system administrator.

## Using a Duress PIN

If your system has the duress PIN option installed, you have two PINs: a regular PIN and a duress PIN. Use your regular PIN for normal logins. Use the duress PIN if you are ever forced to log in by an unauthorized person attempting to gain system access.

If you use your duress PIN, you are granted access and you will see no difference in operation. However, the system notifies administrators that you were forced by an intruder to log in.

Your duress PIN is your regular PIN with 1 added to it but with no carrying. See Table 14-1 for examples.

**Table 14-1 Sample Duress PINs**

<b>If your regular PIN is...</b>	<b>Then your duress PIN is...</b>	<b>Applies to...</b>
243890	243891	All tokens
243899	243890	All tokens
ABCDEF	ABCDEG	Standard Card and Key Fob
ABCDEZ	ABCDEA	Standard Card and Key Fob





### WHOIS: Username Directory Services

The WHOIS utility allows Internet users to query the Network Information Center (NIC) username directory services.

To invoke WHOIS, enter at the DCL prompt:

**WHOIS** *name*

*name* is the user's name or other search keyword.

The utility tries to connect to the NIC WHOIS server (`ds.internic.net`) and displays any returned information.

The source code for this utility is in the  
TCPWARE\_COMMON:[TCPWARE.EXAMPLES]WHOIS.C file.



# Accessing Remote Systems with the Secure Shell (SSH) Utilities

The SSH implementation for TCPware provides the client software for allowing secure interactive connections to other computers in the manner of rlogin/rshell/telnet.

The following topics describe how to configure, maintain, and use the following TCPware client and utilities:

- Secure Shell Client (remote login program)
- SSHKEYGEN
- SSHAGENT (authentication agent)
- SSHADD
- CERTTOOL
- CERTVIEW
- CMPCLIENT
- Public-Key Subsystem

## SSH Protocol Support

The SSH client software supports both the SSH1 and SSH2 protocols. SSH1 and SSH2 are different, and incompatible protocols. The SSH1 implementation is based on the V1.5 protocol and 1.3.7 F-Secure code base, and the SSH2 implementation is based on the V2 protocol and the WRQ RSIT 6.1.0 code base. While SSH2 is generally regarded to be more secure than SSH1, both protocols are offered by TCPware, and although they are incompatible, they may exist simultaneously on server systems, including TCPware servers. The SSH client identifies the protocol(s) offered by any given server. If both SSH2 and SSH1 protocols are offered, the client will always use SSH2. Otherwise, the client will use the correct protocol based on the server's capability.

The cryptographic library used by TCPware SSH2 (*this does not apply to SSH1 sessions*) is FIPS 140-2 level 2 compliant, as certified by the Computer Security Division of the National Institute of

Science and Technology (NIST).

## Secure Shell Client (remote login program)

SSH (Secure Shell) is a program for logging into and executing commands on a remote system. It replaces rlogin, rsh, and telnet, and provides secure encrypted communications between two untrusted hosts over an insecure network. X11 connections and arbitrary TCP/IP ports can be forwarded over the secure channel. SSH connects and logs into the specified hostname. The user must prove his/her identity to the remote system using one of several methods.

## Initial Server System Authentication

When an initial connection is made from the client system to the server system, a preliminary authentication of the server is made by the client. To accomplish this, the server system sends its public key to the client system.

SSH maintains a directory containing the public keys for all hosts to which it has successfully connected. For each user, this is the `[.SSH2.HOSTKEYS]` directory off the individual `SYSS$LOGIN` directory<sup>1</sup>. In addition, a system-wide directory of known public keys exists in the system directory pointed to by the logical name `TCPWARE_SSH2_HOSTKEY_DIR`, and this may be populated by the system manager. Both directories are searched as needed when establishing a connection between systems. Any new host public keys are added to the user's `HOSTKEYS` directory. If a host's identification changes, SSH warns about this and disables password authentication to prevent a trojan horse from getting the user's password. Another purpose of this mechanism is to prevent man-in-the-middle attacks that could be used to circumvent the encryption. The SSH configuration option *StrictHostKeyChecking* can be used to prevent logins to a system whose host key is not known or has changed.

### Hostbased Authentication

Hostbased authentication relies on two things: the existence of the user's system and username in either `TCPWARE:HOSTS.EQUIV` or in the individual user's `SYSS$LOGIN:.RHOSTS` or `SYSS$LOGIN:.SHOSTS` file; and the server system having prior knowledge of the client system's public host key.

#### •For SSH2

When a user logs in:

- 1 The server checks the `TCPWARE:HOSTS.EQUIV` file, and the user's `SYSS$LOGIN:.RHOSTS` and `SYSS$LOGIN:.SHOSTS` files for a match for both the system and username. Wildcards are not permitted.
- 2 The server checks to see if it knows of the client's public host key (`SSH2_DIR:HOSTKEY.PUB` on VMS client systems) in either the user's `SYSS$LOGIN:[SSH2.KNOWNHOSTS]` directory or in the system-wide directory pointed to by the `TCPWARE_SSH2_KNOWNHOSTS_DIR` logical name. The key file is named `<FQDN>_<algorithm>.PUB`. For example, if the client

---

1. In this chapter, the `[.SSH]` subdirectory in the user's login directory displays as `SYSS$LOGIN:[.SSH]` `[.SSH2]` displays as `SYSS$LOGIN:[.SSH2]`

system is “foo.bar.com” and its key uses the DSS algorithm, the file that would contain its key on the server would be “FOO\_BAR\_COM\_SSH-DSS.PUB”. This key file must exist on the server system before attempting hostbased authentication.

- 3 If the key file is found by the server, the client sends its digitally-signed public host key to the server. The server will check the signature for validity.

### •For SSH1

This form of authentication alone is not allowed by the server because it is not secure. The second (and primary) authentication method is the .RHOSTS or HOSTS.EQUIV method combined with RSA-based host authentication. It means that if the login would be permitted by .RHOSTS, .SHOSTS, TCPWARE:HOSTS.EQUIV, or TCPWARE:SHOSTS.EQUIV file, and if the client’s host key can be verified (see `SYSS$LOGIN:[.SSH]KNOWN_HOSTS` and `SSH_DIR:SSH_KNOWN_HOSTS` in the FILES section), only then is login permitted. This authentication method closes security holes due to IP spoofing, DNS spoofing, and routing spoofing.

**Note!** To the administrator: TCPWARE:HOSTS.EQUIV, .RHOSTS, and the rlogin/rshell protocol are inherently insecure and should be disabled if security is desired.

### **Publickey Authentication**

The SSH client supports DSA-based authentication for SSH2 sessions, and RSA-based authentication for SSH1 sessions. The scheme is based on public-key cryptography. There are cryptosystems where encryption and decryption are done using separate keys, and it is not possible to derive the decryption key from the encryption key.

### •For SSH1

SSH supports RSA-based authentication. The scheme is based on public-key cryptography. There are cryptosystems where encryption and decryption are done using separate keys, and it is not possible to derive the decryption key from the encryption key.

RSA is one such system. The idea is that each user creates a public/private key pair for authentication purposes. The server knows the public key (`SYSS$LOGIN:[.SSH]AUTHORIZED_KEYS` lists the public keys permitted for log in), and only the user knows the private key.

When the user logs in:

- 1 The SSH client program tells the server the key pair it would like to use for authentication.
- 2 The server checks if this key pair is permitted.  
If it is permitted, the server sends the SSH client program running on behalf of the user a challenge (a random number) encrypted by the user's public key. The challenge can only be decrypted using the proper private key.
- 3 The user's client then decrypts the challenge using the private key, proving that he/she knows the private key but without disclosing it to the server.
- 4 SSH implements the RSA authentication protocol automatically.

The Key Identity files are created with SSHKEYGEN. To create the RSA key pair files with TCPware:

- 1 Run SSHKEYGEN to create the RSA key pair: IDENTITY and IDENTITY.PUB.

Both of these files are stored in the user's `SYSS$LOGIN:[.SSH]` directory. IDENTITY,; is the private key; IDENTITY.PUB is the public key.

Once you have created your identity files:

- 1 Transfer the IDENTITY.PUB file to the remote machine.
- 2 Update the AUTHORIZED\_KEYS file on the remote machine by appending the contents of the public key file to the `SYSS$LOGIN:[.SSH]AUTHORIZED_KEYS` file on the remote host. The format of the AUTHORIZED\_KEYS file requires that each entry consists of a single long line.

After this, the user can log in without giving the password. RSA authentication is much more secure than .rhosts authentication. The most convenient way to use RSA authentication may be with an authentication agent. See *Publickey Authentication* for more information.

•For SSH2

When the user logs in:

- 1 The client reads possible keys to be used for authentication from its IDENTIFICATION file. Note that this file does not contain the actual keys; rather, it contains the name of the key files.
- 2 The client sends to the server its list of keys.
- 3 The server compares each key that it received to see if it can match this key with one of those specified in the AUTHORIZATION file.
- 4 The server tells the client the key that was accepted. The client then “signs” the key with a digital signature that only the server with the proper key could verify, and sends the signature to the server.
- 5 The server verifies the signature.

### ***Password Authentication***

The password is sent to the remote host for checking. The password cannot be seen on the network because all communications are encrypted. When the server accepts the user's identity it either executes the given command or logs into the system and gives the user a normal shell on the remote system. All communication with the remote command or shell will be encrypted automatically.

### **Break-in and Intrusion Detection**

Care must be exercised when configuring the client to minimize problems due to intrusion records created by OpenVMS security auditing. The SSH user should consult the system manager to determine the authentication methods offered by the SSH server. Examples of such authentication methods include HostBased, PublicKey, and Password. The client should be configured to not attempt any authentication method that is not offered by the server.

If a client attempts authentication methods not offered by the server, the OpenVMS security auditing system may log several intrusion records for each attempt to create a session to that server. The result being that the user could be locked out and prevented from accessing the server system

without intervention from the server's system manager.

### Session Termination

The user can disconnect with “~.”. All forwarded connections can be listed with “~#”. All available escapes can be listed with “~?”. A single tilde character can be sent as “~” (or by following the tilde with a character other than those described above). The escape character must always follow a carriage return to be interpreted as special. The escape character “~” can be changed in configuration files or on the command line.

The session terminates when the command or shell on the remote system exits, or when the user logs out of an interactive session, and all X11 and TCP/IP connections have been closed. The exit status of the remote program is returned as the exit status of SSH.

### X11 Forwarding

With X11 in use, the connection to the X11 display forwards to the remote side any X11 programs started from the interactive session (or command) through the encrypted channel. Also, the connection to the real X server is made from the local system. The user should not set DECW\$DISPLAY manually. Forwarding of X11 connections can be configured on the command line or in configuration files.

The DECW\$DISPLAY value set by SSH points to the server system with a display number greater than zero. This is normal and happens because SSH creates a “proxy” X server on the server system for forwarding the connections over the encrypted channel.

SSH sets up “fake” Xauthority data on the OpenVMS server, as OpenVMS does not support Xauthority currently. It generates a random authorization cookie, stores it in Xauthority on the server, and verifies that any forwarded connections carry this cookie and replace it by the real cookie when the connection is opened. The real authentication cookie is never sent to the server system (and no cookies are sent in plain text).

## Configuring the SSH Client

The SSH client uses only SSH2 configuration keywords. There are no SSH1-specific configuration keywords for the SSH client.

The SSH client obtains configuration data from the following sources (in this order):

- 1 Command line options. See Table 16-1 for details.
  - 2 User's configuration file (SYS\$LOGIN [.SSH2]SSH2\_CONFIG). See Table 16-2 for details.
  - 3 System-wide configuration file (SSH2\_DIR:SSH2\_CONFIG.) See Table 16-2 for details.
- For each parameter, the first obtained value is used. The configuration files contain sections bracketed by “Host” specifications. That section applies only for hosts that match one of the patterns given in the specification. The matched host name is the one given on the command line. Since the first obtained value for each parameter is used, more host-specific declarations should be given near the beginning of the file, and general defaults at the end.



**Note!** The qualifiers listed in Table 16 -1 are position dependent. You must place the qualifier(s) immediately after the SSH command. So the correct syntax is `SSH /qualifier node command`.

**Table 16 -1 SSH Client Command Options and Qualifiers**

Qualifier	Description
/ALLOW_REMOTE_CONNECT	Allow remote hosts to connect local port forwarding ports. The default is only localhost; may connect to locally binded ports.
/CIPHER=( <i>cipher-1</i> ,..., <i>cipher-n</i> )	Select encryption algorithm(s).
/COMPRESS	Enable compression.
/CONFIG_FILE= <i>file</i>	Read an alternative client config file.
/DEBUG= <i>level</i>	Set debug level.
/ESCAPE_CHARACTER= <i>char</i>	Set escape character; “none” = disable (default: ~).
/HELP	Display help text.
/IDENTITY_FILE= <i>file</i>	Identity file for public key authentication.
/LOCAL_FORWARD=( <i>[protocol/]listen-port:host:port</i> ,...)	Causes the given port on the local (client) host to be forwarded to the given host and port on the remote side. The system to which SSH connects acts as the intermediary between the two endpoint systems. Port forwardings can be specified in the configuration file. Only system can forward privileged ports. See the Port Forwarding section for more details.
/LOG_FILE= <i>logfile</i>	Log all terminal activity to the specified log file. Defaults to SSH.LOG if “ <i>logfile</i> ” is not specified.
/MAC=( <i>mac-1</i> ,..., <i>mac-n</i> )	Select MAC algorithm(s).
/NO_AGENT_FORWARDING	Disable authentication agent forwarding.
/NO_X11_FORWARDING	Disable X11 connection forwarding.
/OPTION=( <i>option-1</i> ,... <i>option-n</i> )	Gives options in the format used in the configuration file. This is useful for specifying options for which there is no separate command-line flag. The option has the same format as a line in the configuration file, and are processed prior to any keywords in the configuration file.  For example: /OPTION=(CompressionLevel=6)

**Table 16-1 SSH Client Command Options and Qualifiers (Continued)**

Qualifier	Description
<code>/PORT=<i>port</i></code>	Connect to this port on server system. Server must be listening on the same port.
<code>/QUIET</code>	Quiet Mode. Causes all warning and diagnostic messages to be suppressed. Only fatal errors display.
<code>/REMOTE_FORWARD= ([<i>protocol</i>]/<i>listen- port:host:port</i>,...)</code>	Forward remote port to local address. These cause ssh to listen for connections on a port, and forward them to the other side by connecting to host port.
<code>/USE_NONPRIV_PORT</code>	Use a non-privileged (>1023) source port.
<code>/USER=<i>user</i></code>	Log in to the server system using this user name.
<code>/VERBOSE</code>	Display verbose debugging messages. Equal to “/DEBUG=2”.
<code>/VERSION</code>	Display version number of the client.

**Table 16-2 SSH2\_CONFIG File Configuration Keywords**

Keyword	Value	Default	Description
AllowedAuthentications	List	publickey, keyboard- interactive, password	Permitted techniques, listed in desired order of attempt. These can be the following: keyboard-interactive, password, publickey, kerberos-2@ssh.com, kerberos-tgt-2@ssh.com, and hostbased. Each specifies an authentication method. The authentication methods are tried in the order in which they are specified with this configuration parameter.
AuthenticationSuccessMsg	Y/N	Y	Print message on successful authentication

**Table 16-2 SSH2\_CONFIG File Configuration Keywords (Continued)**

<b>Keyword</b>	<b>Value</b>	<b>Default</b>	<b>Description</b>
AuthorizationFile	Filename	Authorization	Authorization file for publickey authentication. See below for more information on the contents of this file.
BatchMode	Y/N	N	Don't prompt for any input during session
Ciphers	Cipher list	None	Supported encryption ciphers
ClearAllForwardings	Y/N	N	Ignore any specified forwardings
Compression	Y/N	N	Enable data compression
DebugLogFile	Filename	None	Specify the file to hold debug information. If used with the QuietMode keyword turned on as well, only the first part of the log information will be written to SYS\$ERROR, until the DebugLogFile keyword is parsed. If QuietMode is not used, all debug output will go to both SYS\$ERROR and the log file.
DefaultDomain	Domain		Specify domain name
EscapeChar	Character	“~”	Set escape character (^=ctrl key)
ForwardAgent	Y/N	Y	Enable agent forwarding
ForwardX11	Y/N	Y	Enable X11 forwarding
GatewayPorts	Y/N	N	Gateway locally forwarded ports
Host	Pattern		Begin section for this host

**Table 16-2 SSH2\_CONFIG File Configuration Keywords (Continued)**

Keyword	Value	Default	Description
HostCA	Certificate	None	Specifies the CA certificate (in binary or PEM (base64) format) to be used when authenticating remote hosts. The certificate received from the host must be issued by the specified CA and must contain a correct alternate name of type DNS (FQDN). If the remote host name is not fully qualified, the domain specified by configuration option <i>DefaultDomain</i> is not fully qualified, the domain specified by configuration option <i>DefaultDomain</i> is appended to it before comparing it to certificate alternate names. If no CA certificates are specified in the configuration file, the protocol tries to do key exchange with ordinary public keys. Otherwise, certificates are preferred. Multiple CAs are permitted.
HostCANoCRLs	Certificate	None	Similar to HostCA, but disables CRL checking for the given ca-certificate.
IdentityFile	Filename	Identification	Name of identification file for publickey authentication
KeepAlive	Y/N	Y	Send keepalives

**Table 16-2 SSH2\_CONFIG File Configuration Keywords (Continued)**

<b>Keyword</b>	<b>Value</b>	<b>Default</b>	<b>Description</b>
LdapServers	ServerURL	None	Specified as <i>ldap://server.domainname:389</i>  CRLs are automatically retrieved from the CRL distribution point defined in the certificate to be checked if the point exists. Otherwise, the comma-separated server list given by option <i>LdapServers</i> is used. If intermediate CA certificates are needed in certificate validity checking, this option must be used or retrieving the certificates will fail.
LocalForward	Port, Socket		Local port forwarding
Macs	Algorithm	None	Select MAC (Message Authentication Code) algorithm
NoDelay	Y/N	N	Disable Nagle (TCP_NODELAY)
NumberOfPasswordPrompts	Number	3	Number of times the user is prompted for a password before the connection is dropped
PasswordPrompt	String	“%U’s password:”	Password prompt %U = insert current username %H = insert current hostname
Port	Port	22	Server port number
QuietMode	Y/N	Y	Quiet mode - only fatal errors are displayed

**Table 16-2 SSH2\_CONFIG File Configuration Keywords (Continued)**

Keyword	Value	Default	Description
RandomSeedFile	Filename	Random_seed	Random seed file
RekeyIntervalSeconds	Seconds	3600	Number of seconds between doing key exchanges during a session. 0 = disable
RemoteForward	Port, Socket		Remote port forwarding
SendNOOPackets	Y/N	N	Send NOOP packets through the connection. Used typically to prevent a firewall from closing an interactive session
StrictHostKeyChecking	Y/N/Ask	Y	Behavior on host key mismatch
TryEmptyPassword	Y/N	N	Attempt an empty password first when doing password authentication.  <b>Note:</b> Doing so may result in an extra intrusion being logged.
User	Username		Remote username
VerboseMode	Y/N	N	Verbose mode

## Notes Regarding SSH2\_CONFIG

The user may specify default configuration options, called “stanzas”, for different destination systems. The format of this within the configuration file is:

```
hostname :
  keyword      value
  keyword      value
```

```
hostname2 :
  keyword      value
  keyword      value
```

For example:

```

petunia:
  port          17300
  user          dilbert
  host          petunia.flowers.com

rose:
  port          16003
  user          dogbert
  host          rose.flowers.com
  allowedauthentications password

*.beans.com:
  user          limabean
  keepalive     no
  ciphers       3des,twofish
    
```

In the preceding example:

- When a user types “\$ SSH PETUNIA”, the client will connect to port 17300 on petunia.flowers.com, and will use the default username of “dilbert”.
- When a user types “\$ SSH ROSE”, the client will connect to port 16003 on host rose.flowers.com, and will use the default username of “dogbert”, and only allow password authentication.
- When a user types “\$ SSH <anything>.BEANS.COM”, the client will use the default username of “limabean”, will not send keepalives, and will only allow 3DES or TWOFISH encryption.

The user may override defaults specified in configurations. Options that are specified on the command line override any like options in the configuration file. For example, if the user wants to use a username of “catbert” when connecting to host rose instead of the default username of “dogbert”, this would be specified as:

```
$ SSH /USER=CATBERT ROSE
```

## Authorization File Options

The authorization file has the same general syntax as the configuration files. The following keywords may be used.

### Key

This is followed by the filename of a public key in the [.SSH2] directory file that is used for identification when contacting the host. If there is more than one key, they are all acceptable for login.

## Options

This keyword, if used, must follow the “Key” keyword above. The various options are specified as a comma-separated list. See below for documentation of the options.

## Command

This keyword is deprecated (though it still works). Use Options instead.

## *Options that can be specified:*

### **allow-from and deny-from**

Specifies that in addition to public-key authentication, the canonical name of the remote host must match the pattern(s). These parameters follow the logic of {Allow,Deny} Hosts described in detail in `sshd2_config`. Specify one pattern per keyword, and multiple keywords can be used.

### **command=“command”**

This is used to specify a “forced command” that will be executed on the server side instead of anything else when the user is authenticated. This option might be useful for restricting certain public keys to perform just a specific operation. An example might be a key that permits remote backups but nothing else. Notice that the client may specify TCP/IP and/or X11 forwarding, unless they are explicitly prohibited.

### **idle-timeout=time**

Sets idle timeout limit to time in seconds (s or nothing after number), in minutes (m), in hours (h), in days (d), or in weeks (w). If the connections have been idle (all channels) for that long a period of time, the connection is closed down.

### **no-port-forwarding**

Forbids TCP/IP forwarding when this key is used for authentication. Any port forward requests by the client will return an error. This might be used, for example, in connection with the `command` option.

### **no-x11-forwarding**

Forbids X11 forwarding when this key is used for authentication. An X11 forward request by the client will return an error.



## SSH Client/Server Authentication Configuration Examples

### Hostbased Authentication Example

The following is an example of how to set up the SSH client and SSH2 server for Hostbased Authentication:

```
$!
$! First, generate the host key - ONLY if it doesn't exist!
$!
$ netcu sshkeygen /ssh2 /host
Generating 1024-bit dsa key pair
4 oOo.oOo.oOo

Key generated.
1024-bit dsa, myname@myclient.foo.com, Thu MAR 06 2003 13:43:54
Private key saved to tcpware_ssh2_hostkey_dir:hostkey.
Public key saved to tcpware_ssh2_hostkey_dir:hostkey.pub

$ directory tcpware_ssh2_hostkey_dir:hostkey.*

Directory TCPWARE_SPECIFIC: [TCPWARE.SSH2.HOSTKEYS]

HOSTKEY.;1          HOSTKEY.PUB;1

Total of 2 files
$!
$! Copy the client system public key to the user directory on the server
$!
$! DECnet must be running before you execute the following commands:
$!
$ copy tcpware_ssh2_hostkey_dir:hostkey.pub -
_$ myserv"myname myuser"::[.ssh2.knownhosts]myclient_foo_com_ssh-dss.pub
$!
$! Finally, log into the server system and ensure the
$! TCPWARE:HOSTS.EQUIV file is correct
$!
$ SET HOST MYSERV

Welcome to OpenVMS (TM) VAX Operating System, Version V7.3

Username: myname
Password:
Welcome to OpenVMS VAX V7.3

Last interactive login on Monday, 3-MAR-2003 17:07
Last non-interactive login on Monday, 3-MAR-2003 08:30
```

```
MYSERV_$ type tcpware:hosts.equiv
#
# HOSTS.EQUIV - names of hosts to have default "r" utility access to the local
# system.
#
# This file should list the full domain-style names.
#
# This list augments the users' SYS$LOGIN:.RHOSTS file for authentication.
# Both the .RHOSTS and the HOSTS.EQUIV files are cached by tcpware -
# see the section entitled "RLOGIN and RSHELL Authentication Cache"
# in the _Administrator's Guide_ for more information on controlling
# the cache.
#
# This file is ignored for the users SYSTEM and ROOT. SYSTEM and ROOT
# must have a SYS$LOGIN:.RHOSTS file if you want to use RSHELL or RLOGIN
# with them.
#
localhost
myclient.foo.com      myname
MYSERV_$
MYSERV_$ logout
MYNAME      logged out at 3-MAR-2003 13:46:58.91
%REM-S-END, control returned to node MYCLIENT::
```

### Publickey Authentication Example

The following is an example of how to set up the SSH client and SSH2 server for Publickey Authentication:

```
$!
$! First, generate a key tuple
$!
$ netcu sshkeygen /ssh2
Generating 1024-bit dsa key pair
 1 oOo.oOo.oOo.

Key generated.
1024-bit dsa, myname@myclient.foo.com, Thu Mar 06 2003 14:06:10
Passphrase :
Again      :
Private key saved to DISK$USERDISK:[MYNAME.SSH2]id_dsa_1024_a.
Public key saved to DISK$USERDISK:[MYNAME.SSH2]id_dsa_1024_a.pub
$ directory [.ssh2]id*/since = TODAY

Directory DKA0:[MYNAME.SSH2]

ID_DSA_1024_A.;1      ID_DSA_1024_A.PUB;1

Total of 2 files.
$!
```

```

$! Now create the IDENTIFICATION. file. This contains the name of
$! all the keys you wish to use for public-key authentication.
$!
$ set default [.ssh2]
$ copy tt: identification.
  idkey id_dsa_1024_a
  ^Z
$!
$! Copy the key to the user's [.ssh2] directory on the server system
$!
$ copy id_dsa_1024_a.pub myserv"myname mypass"::[.ssh2]
$!
$! Now log into the server system and create the AUTHORIZATION file
$!
$ set host myserv

```

Welcome to OpenVMS (TM) VAX Operating System, Version V7.3

Username: myname

Password:

Welcome to OpenVMS VAX V7.3

Last interactive login on Tuesday, 4-MAR-2003 13:46

Last non-interactive login on Tuesday, 4-MAR-2003 13:47

```

$ set default [.ssh2]
$ directory [.ssh2]id*.*

```

Directory DKA0: [MYNAME.SSH2]

ID\_DSA\_1024\_A.PUB;1

Total of 1 file.

```
$ copy tt: authorization.
```

```
key id_dsa_1024_a.pub
```

```
^Z
```

```
$ logout
```

```
MYNAME logged out at 4-MAR-2003 14:10:26.16
```

```
%REM-S-END, control returned to node MYCLIENT::
```

## SSH1 Example

```

$ ! An example of the procedure of setting up SSH to enable
$ ! RSA-based authentication.
$ ! Using SSH client node to connect to an SSH server node.
$ !
$ ! On the client node
$ !
$ NETCU SSHKEYGEN /SSH1
Initializing random number generator...

```

```
Generating p: .....++ (distance 662)
Generating q: .....++ (distance 370)
Computing the keys...
Testing the keys...
Key generation complete.
Enter file in which to save the key
(DISK$SYS_LOGIN:[MYNAME.ssh]identity.):
Enter passphrase:
Enter the same passphrase again:
Your identification has been saved in
DISK$SYS_LOGIN:[MYNAME.ssh]identity..
Your public key is:
1024 33 13428.....29361 MYNAME@long.hair.com
Your public key has been saved in DISK$SYS_LOGIN:[MYNAME.ssh]identity.pub
$ !
$ ! A TCP/IP stack must be loaded on the remote system.
$ !
$ FTP DAISY /USER=MYNAME/PASSWORD=DEMONSOFSTUPIDITY -
_ $ PUT DISK$SYS_LOGIN:[MYNAME.ssh]identity.PUB -
_ $ DISK$SYS_LOGIN:[MYNAME.ssh]identity.PUB
long.hair.com TCPware FTP user process V5.9(119)
Connection opened (Assuming 8-bit connections)
<daisy.hair.com TCPware FTP Server Process V5.9(16) at Thu 6-Mar-2003
3:20PM-EDT
[Attempting to log in as myname]
<User MYNAME logged into DISK$SYS_LOGIN:[MYNAME] at Thu 6-MAR-2003 3:21PM-
EDT, job 20e00297.
<VMS Store of DISK$SYS_LOGIN:[MYNAME.SSH]IDENTITY.PUB; started.
<Transfer completed. 395 (8) bytes transferred.
<QUIT command received. Goodbye.
$
$ TELNET DAISY
Trying... Connected to DAISY.HAIR.COM.
```

Authorized Users Only (TM) VAX Operating System, Version V7.1

Username: **MYNAME**

Password:

Welcome to OpenVMS (TM) VAX Operating System, Version V7.1 on node  
DAISY

Last interactive login on Thursday, 6-MAR-2003 08:07

Last non-interactive login on Thursday, 6-MAR-2003 15:21

Logged into DAISY at 6-MAR-2003 15:22:43.68

\$ !

\$ ! For the first entry into the AUTHORIZED\_KEYS file copy

\$ ! (or rename) the file [.SSH]IDENTITY.PUB to [.SSH]AUTHORIZED\_KEYS.

\$ !

\$ **COPY [.SSH]IDENTITY.PUB [.SSH]AUTHORIZED\_KEYS.**

\$

```
$ ! FOR SUBSEQUENT ENTRIES use the APPEND command
$ !
$ APPEND [.SSH] IDENTITY.PUB [.SSH] AUTHORIZED_KEYS.
$
$ ! A sanity check of the file protections shows
$ !
$ DIRECTORY/PROTECTION [.SSH] *.*
```

Directory DISK\$SYS\_LOGIN: [MYNAME.SSH]

```
AUTHORIZED_KEYS.;1    (RWE,RWED,RE,E)
IDENTITY.;1          (RWD,RWD,,)
IDENTITY.PUB;1       (RWE,RWED,RE,E)
KNOWN_HOSTS.;1      (RWD,RWD,,)
RANDOM_SEED.;1       (RWD,RWD,,)
```

Total of 5 files.

```
$ !
$ DIRECTORY/PROTECTION SSH.DIR
```

Directory DISK\$SYS\_LOGIN: [MYNAME]

```
SSH.DIR;1            (RWD,RWD,,)
```

Total of 1 file.

## **SSH2 User Authentication Using Certificates:**

### **Client setup:**

1. Copy the private key and certificate (.crt) into the user's [.ssh2] directory, and edit the [.ssh2] identification file, adding entry "certkey private key name".

```
$ dir [.ssh2]
Directory DKA0: [DILBERT.SSH2]
AUTHORIZATION.;13 IDENTIFICATION.;1 MYCERT.;1 MYCERT1.CRT.;2
Total of 4 files.
$ type [.ssh2]identification.
certkey mycert1
$
```

### **Server setup:**

1. Copy the CA certificate into your SSH2\_DIR: directory.
2. Add the following entries in SSH2\_DIR:SSHD2\_CONFIG:

```
Pki SSH2_DIR:<CAcertname>
```

Mapfile SSH2\_DIR:<CAcertname>.map

The *Pki* keyword begins an authority block for a given CA certificate. There might be more than one CA certificate along with its own mapping file.

The *Mapfile* keyword specifies the location of the certificate to username mapping file.

In addition, for testing, you might use *PkiDisableCRLs* yes to disable CRL checking for the given authorization block.

### 3. Create the mapping file SSH2\_DIR:<CAcertname>.map

The mapping file consists of rows of the following format:

```
userid mappingrule mapdata
```

*userid* is the userid that's allowed to login for the given cert (there might be multiple userids for a given certificate).

*Mapping rule* is one of *subject*, *email*, *serialandissuer* and *emailregex*.

*Subject* means that the following mapdata is matched against the subject of the certificate:

*Email* is the e-mail alternative subject extension (with *emailregex* can be used regular expressions - e.g., `%subst% emailregex ([a-z}{|+}@foo\com` would be any trusted certificate having e-mail alternative name of `<username>@foo.com` to login with userid `<username>`)

*SerialAndIssuer* is the serial number and DN of the issuer separated by whitespace.

DNs are used in reverse LDAP order (e.g., `c=US,o=Fooobar,cn=Dilbert Dogbert`).

## SSH2 Hostkey Authentication Using Certificates

### Server setup:

1. Create a certificate for the server. Host certificate must contain FQDN as DNS alternative name.
2. Copy the private key and certificate into TCPWARE\_SSH2\_HOSTKEY\_DIR directory.
3. Add the following entries into `ssh2_dir:ssh2_config` file

```
HostKeyFile tcpware_ssh2_hostkey_dir:<hostcert>  
HostCertificateFile tcpware_ssh2_hostkey_dir:<hostcert>.crt
```

### Client setup:

1. Copy the CA certificate in TCPWARE\_SSH2\_HOSTKEY\_DIR directory.
2. Add the following entries into `ssh2_dir:ssh2_config`

```
HostCA tcpware_ssh2_hostkey_dir:<CAcert>.crt  
DefaultDomain <domain of the FQDN of the client>
```

**Note!** For testing purposes, you can use *HostCANoCRLs* instead of *HostCA* to disable CRL checking.

## Port Forwarding

Port forwarding is a mechanism whereby programs that use known TCP/IP ports can have encrypted data forwarded over unsecure connections. This is also known as "tunneling".

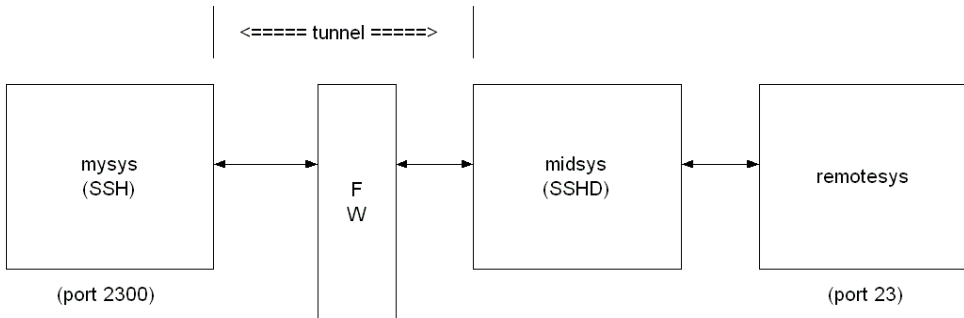
If the user is using an authentication agent, the connection to the agent is forwarded automatically to the remote side unless disabled on the command line or in a configuration file. Forwarding of arbitrary TCP/IP connections over the secure channel can be specified either on the command line or in a configuration file.

**Note!** Forwarded ports (tunnels) exist only as long as the SSH session that established them exists; if the SSH session goes away, so do the forwardings.

```
/LOCAL_FORWARD=(localport:remotehost:remoteport)
```

This causes `localport` on the system the client is running on to be forwarded to `remotehost:remoteport`. The system to which SSH2 connects acts as the intermediary between the two endpoint systems.

For example: Use port forwarding to allow a system (`midsys`) to encrypt and forward TELNET sessions between itself (`mysys`) that's outside a corporate firewall to a system (`remotesys`) that is inside a corporate firewall. Note that the use of port 2300 in the examples is arbitrary.



From the DCL prompt on `mysys`:

```
$ SSH2 midsys /local_forward=(2300:remotesys:23)
```

With the SSH session to `midsys` now active, type in another window on `mysys`:

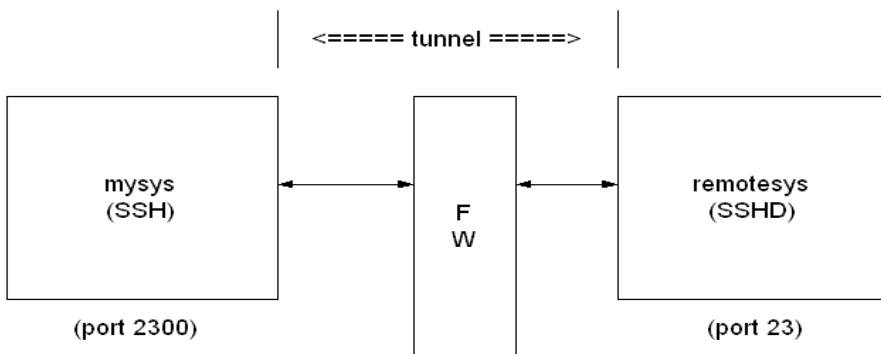
```
$ telnet localhost /port=2300
```

**Note!** The SSH session must remain active for port forwarding activity.

This causes a connection to `mysys:2300`. The SSH2 client has bound to this port, and will see the connection request. SSH sends an "open channel" request to `midsys`, telling it there's a connect request for port 23 on `remotesys`. `Midsys` will connect to `remotesys:23`, and send back the port information to `mysys`. `Mysys` completes the connection request, and the TELNET session between `mysys` and `remotesys` is now in place, using the tunnel just created through the firewall between `mysys` and `midsys`.

All traffic between `mysys` and `midsys` (through the firewall) is encrypted/decrypted by SSH on `mysys` and SSHD on `midsys`, and hence, is safe. TELNET does not know this, of course, and does not care.

Note that ports can also be forwarded from a localhost to the remotehost that's running SSHD, as illustrated in this figure.



In this example, port 2300 on `mysys` is being forwarded to `remotesys : 23`. To do this, use SSH on `mysys`:

```
$ SSH2 remotesys /local_forward=(2300:remotesys:23)
```

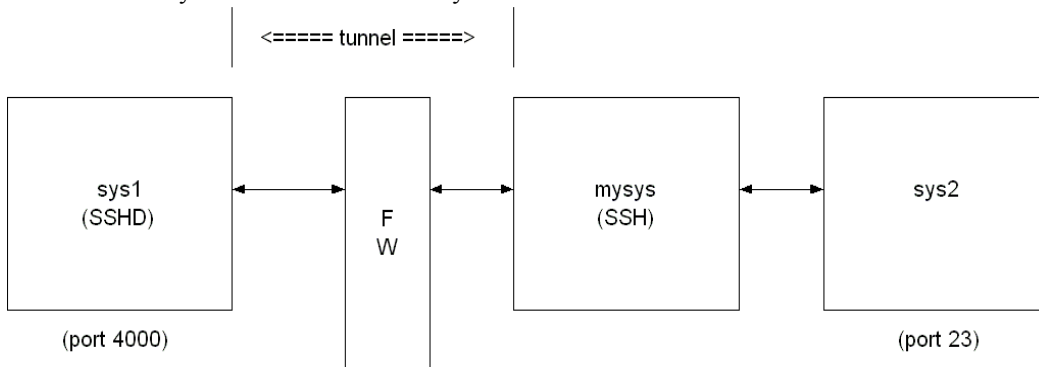
Then, also on `mysys`, type:

```
$ telnet localhost /port=2300
```

When SSH and SSHD start their dialog, SSHD on `remotesys` connects back to itself, port 23, and the TELNET session is established.

```
/REMOTE_FORWARD=(remoteport1:remotehost:remoteport2)
```

This causes `remoteport1` on the system to which SSH connects to be forwarded to `remotehost : remoteport2`. In this case, the system on which the client is running becomes the intermediary between the other two systems.





For example, a user wants to use `mysys` to create a tunnel between `sys1:4000` and `sys2:23`, so that TELNET sessions that originate on `sys1:4000` get tunneled to `sys2` through the firewall. On `mysys`:

```
$ SSH2 sys1 /remote_forward=(4000:sys2:23)
```

Now, on `sys1`, a user could establish a TELNET session to `sys1` by doing:

```
$ telnet localhost /port=4000
```

The mechanism used for making the TELNET connection (setting up the tunnel) is essentially the same as described in the `/LOCAL_FORWARD` example above, except that the roles of SSH and SSHD in the dialog are reversed.

## Other Files

The files in Table 16-3 are used by SSH. Note that these files generally reside in the `[.SSH2]` subdirectory from the user's `SYSS$LOGIN` directory. The `[.SSH2]` subdirectory is created automatically on your local system the first time SSH is executed, and on a remote OpenVMS system the first time an SSH connection is made to that system. File protection for `SYSS$LOGIN:SSH2.DIR` should be `(S:RWD, O:RWD, G:, W:)`.

**Table 16-3 SSH2 Files**

File Name	Resides On	Description
<code>[.SSH2]SSH2_CONFIG</code>	Client System	This is the individual configuration file. This file is used by the SSH2 client. It does not contain sensitive information. The recommended file protection is <code>(S:RWD,O:RWD,G:,W:)</code> .
<code>[.SSH2]IDENTIFICATION</code>	Client System	Contains the information about private keys that can be used for public-key authentication, when logging in.

**Table 16-3 SSH2 Files (Continued)**

<b>File Name</b>	<b>Resides On</b>	<b>Description</b>
[.SSH2]ID_ <i>alg_bits_seq</i>	Client System	<p>Contains a private key for authentication.</p> <ul style="list-style-type: none"> <li>• <i>alg</i> is either RSA or DSA</li> <li>• <i>bits</i> is the length of the key</li> <li>• <i>seq</i> is an incrementing alphabetic value</li> </ul> <p>Thus, a key named ID_DSA_1024_A indicates this is a private DSA key 1024 bits long, and it is the first time the key was generated using SSHKEYGEN. A user may have multiple private key files in a directory.</p>
[.SSH2]ID_ <i>alg_bits_seq</i> .PUB	Client System and Server System	<p>Contains a public key for authentication.</p> <ul style="list-style-type: none"> <li>• <i>alg</i> is either RSA or DSA</li> <li>• <i>bits</i> is the length of the key</li> <li>• <i>seq</i> is an incrementing alphabetic value</li> </ul> <p>Thus, a key named ID_DSA_1024_B.PUB indicates this is a public DSA key 1024 bits long, and it is the second time the key was generated using SSHKEYGEN. A user may have multiple public key files in a directory.</p>

Table 16-3 SSH2 Files (Continued)

File Name	Resides On	Description
[.SSH2.HOSTKEYS]xxx.PUB	Client System	<p>Contains public host keys for all hosts the user has logged into. The files specifications have the format <code>KEY_port_hostname.PUB</code></p> <ul style="list-style-type: none"> <li>• <i>port</i> is the port over which the connection was made</li> <li>• <i>hostname</i> is the hostname of the key's host.</li> </ul> <p>For example, if <code>tulip.flowers.com</code> was accessed via port 22, the keyfile would be <code>"KEY_22_TULIP_FLOWERS_COM.PUB"</code>. If this file changes on the host (for example, the system manager regenerates the host key), SSH2 will note this and ask if you want the new key saved. This helps prevent man-in-the-middle attacks.</p>
[.SSH2]RANDOM_SEED.	Client System	<p>Seeds the random number generator. This file contains sensitive data and MUST have a protection of no more than (S:RWD,O:RWD,G:,W:), and it must be owned by the user. This file is created the first time the program is run and is updated automatically. The user should never need to read or modify this file. On OpenVMS systems, multiple versions of this file will be created; however, all older versions of the file may be safely purged.</p> <p>Use the DCL command:  <code>SET FILE /VERSION_LIMIT=n  RANDOM_SEED</code> to set a limit on the maximum number of versions of this file that may exist at any given time.</p>

**Table 16-3 SSH2 Files (Continued)**

<b>File Name</b>	<b>Resides On</b>	<b>Description</b>
SSH_DIR:~.RHOSTS	Server System	Is used in hostbased authentication to list the host/user pairs that are permitted to log in.  Each line of the file contains a host name (in the fully-qualified form returned by name servers), and then a user name on that host, separated by a space. This file must be owned by the user, and must not have write permissions for anyone else. The recommended permission is read/write for the user, and not accessible by others.
SSH_DIR:~.SHOSTS	Server System	Is used the same way as .RHOSTS.
SSH2_DIR:~SSH2_CONFIG	Client System	This is a system-wide client configuration file. This file provides defaults for those values that are not specified in a user's configuration file, and for users who do not have a configuration file. This file must be world-readable.
TCPWARE:~HOSTS.EQUIV	Server System	Is used during .rhosts authentication. It contains fully-qualified hosts names, one per line. If the client host is found in this file, login is permitted provided client and server user names are the same. Additionally, successful RSA host authentication is required. This file should only be writable by SYSTEM.
TCPWARE:~SHOSTS.EQUIV	Server System	Is processed exactly as TCPWARE:~HOSTS.EQUIV. This file may be useful to permit logins using SSH but not using rshell/rlogin.

Table 16-3 SSH2 Files (Continued)

File Name	Resides On	Description
TCPWARE_SSH2_KNOWNHOSTS_DIR	Server System	<p>Contains public host keys for all hosts the system has logged into. The files specifications have the format <code>KEY_port_hostname.PUB</code></p> <ul style="list-style-type: none"> <li>• <i>port</i> is the port over which the connection was made</li> <li>• <i>hostname</i> is the hostname of the key's host.</li> </ul> <p>For example, if <code>tulip.flowers.com</code> was accessed via port 22, the keyfile would be <code>"KEY_22_TULIP_FLOWERS_COM.PUB"</code>. If this file changes on the host (for example, the system manager regenerates the host key), SSH will note this and ask if you want the new key saved. This helps prevent man-in-the-middle attacks.</p>

## SSHKEYGEN

Generates authentication key pairs. The format of the keys is incompatible between SSH1 and SSH2. Therefore, the correct format keys must be generated for each version of the protocol to be supported.

There is no way to recover a lost passphrase. If the passphrase is lost or forgotten, you need to generate a new key and copy the corresponding public key to other systems.

Each key may be protected via a passphrase, or it may be left empty. Good passphrases are 10-30 characters long and are not simple sentences or otherwise easily guessable. Note that the passphrase can be changed later, but a lost passphrase cannot be recovered, as a “one-way” encryption algorithm is used to encrypt the passphrase.

**Note!** The Host Key has no password.

## SSH1

```

NETCU SSHKEYGEN /SSH1 [/BITS=n] [/IDENTITY_FILE=file]
                               [/PASSPHRASE=passphrase] [/COMMENT=comment]
NETCU SSHKEYGEN /SSH1 /CHANGE_PASSPHRASE [/PASSPHRASE=old_passphrase]
                               [/NEW_PASSPHRASE=new_passphrase]
NETCU SSHKEYGEN /SSH1 /CHANGE_COMMENT [/PASSPHRASE=passphrase]
                               [/COMMENT=comment]
NETCU SSHKEYGEN /SSH1 /CHANGE_CIPHER [/IDENTITY_FILE=file]
                               [/PASSPHRASE=passphrase]
NETCU SSHKEYGEN /SSH1 /HOST [/BITS=n] [/COMMENT=comment]
    
```

**Table 16-4 SSH1 SSHKEYGEN Options**

Option	Description
<code>/BITS=<i>nnn</i></code>	Specify key strength in bits (default = 1024).
<code>/CHANGE_PASSPHRASE</code>	Change the passphrase of private key file.
<code>/CHANGE_COMMENT</code>	Change the comment for a key.
<code>/CHANGE_CIPHER</code>	Change the cipher to current default (3DES).
<code>/COMMENT="<i>comment</i>"</code>	Provide the comment.
<code>/HOST</code>	Generate the host key.
<code>/IDENTITY_FILE=<i>file</i></code>	Specify the name of the host key file.
<code>/PASSPHRASE=<i>ppp</i></code>	Provide the current passphrase.
<code>/NEW_PASSPHRASE=<i>ppp</i></code>	Provide new passphrase.
<code>/VERSION</code>	Print sshkeygen version number.

## SSH2

```

NETCU SSHKEYGEN /SSH2 [/BITS=n] [/COMMENT=comment] [/KEYTYPE=type]
                               [/KEYS=(key1...keyn)]
                               [/PASSPHRASE=ppp] [/NOPASSPHRASE] [/STIR=file] [/
QUIET]
NETCU SSHKEYGEN /SSH2/HOST
                               [/BITS=n] [/COMMENT=comment] [/STIR=file] [/QUIET]
NETCU SSHKEYGEN /SSH2/DERIVE_KEY=file
NETCU SSHKEYGEN /SSH2/EDIT=file
NETCU SSHKEYGEN /SSH2/FINGERPRINT=file
NETCU SSHKEYGEN /SSH2/INFO=file [/BASE=n]
    
```

```

NETCU SSHKEYGEN /SSH2/SSH1_CONVERT=file
NETCU SSHKEYGEN /SSH2/X509_CONVERT=file
NETCU SSHKEYGEN /SSH2/PKCS_CONVERT=file
NETCU SSHKEYGEN /SSH2/EXTRACT_CERTS=file
NETCU SSHKEYGEN /SSH2/HELP
NETCU SSHKEYGEN /SSH2/VERSION
    
```

**Table 16-5 SSH2 SSHKEYGEN Options**

Option	Description
/BASE= <i>nnn</i>	Number base for displaying key info
/BITS= <i>nnn</i>	Specify key strength in bits (default = 1024).
/COMMENTS=" <i>comment</i> "	Provide the comment.
/DERIVE_KEY= <i>file</i>	Derive the private key given in 'file' to public key.
/EDIT= <i>file</i>	Edit the comment/passphrase of the key.
/EXTRACT_CERTS= <i>file</i>	Extract certificates from a PKCS 7 file.
/FINGERPRINT= <i>file</i>	Dump the fingerprint of file.
/HELP	Print help text.
/HOST	Generate the host key.
/INFO= <i>file</i>	Load and display information for 'file'.
/KEYS=( <i>key1</i> ,..., <i>keyn</i> )	Generate the specified key file(s).
/KEYTYPE=( <i>dsa</i>   <i>rsa</i> )	Choose the key type: dsa or rsa.
/OPENSASH_CONVERT= <i>file</i>	Convert the specified OpenSSH key to SSH2 format
/OUTPUT_FILE= <i>file</i>	Write the key to the specified output file
/NOPASSPHRASE	Assume an empty passphrase.
/PASSPHRASE= <i>ppp</i>	Provide the current passphrase.
/PKCS_CONVERT= <i>file</i>	Convert a PKCS 12 file to an SSH2 format certificate and private key.
/QUIET	Suppress the progress indicator.
/SSH1_CONVERT= <i>file</i>	Convert SSH1 identity to SSH2 format.
/SSH2_CONVERT= <i>file</i>	Convert a private key to SSH2 format.

/STIR=file	Stir data from file to random pool.
/VERSION	Print sshkeygen version number.
/[NO]WARN	Warn/don't warn if overwriting existing keys when using the /HOST qualifier (default = WARN).
/X509_CONVERT= <i>file</i>	Convert private key from X.509 format to SSH2 format.



There is also a comment field in the public key file that is for the convenience to the user to help identify the key. The comment can tell what the key is for, or whatever is useful. The comment is initialized to `nnn-bit dsa, username@hostname, ddd mm-dd-yyyy hh:mm:ss` when the key is created unless the `/COMMENT` qualifier is used, and may be changed later using the `/EDIT` qualifier.

**Note!** When the `/HOST` qualifier is used, the `/KEYS=(key1,...keyn)` qualifier is ignored.

**Note!** The public key file must be world-readable.

## SSHAGENT (authentication agent)

SSHAGENT

### DESCRIPTION

SSHAGENT is a program that holds authentication private keys. Both SSH1 and SSH2 keys are supported by SSHAGENT. SSHAGENT may be started in the beginning of a login session by including the commands to start it in, for example, `LOGIN.COM`. It may also be started interactively at any time during a login session.

To start SSHAGENT, one of the three methods may be used:

**1** Start it in a separate window:

```
$ SSHAGENT
```

**2** Spawn it as a subprocess:

```
$ SPAWN/NOWAIT SSHAGENT
```

**3** Run it in a detached process:

```
$ RUN/DETACHED/OUTPUT=AGENT.OUT/INPUT=NLA0:/PROCESS_NAME="SSH AGENT"  
SSH_EXE:SSH-AGENT2
```

The agent is used for Publickey Authentication when logging to other systems using SSH. A connection to the agent is available to all programs run by all instances of the user on a specific system. The name of the mailbox used for communicating with the agent is stored in the `TCPWARE_SSH_AGENT_username` logical name. Note that while the agent mailbox is accessible only by the user that starts the agent, a user with sufficient VMS privileges could access the agent mailbox and steal or modify keys currently loaded into the agent (although, the keys as stored on disk cannot be modified simply by accessing the agent).

The agent does not have any private keys initially. Keys are added using SSHADD. When executed without arguments, SSHADD adds the user's identity files. If the identity has a passphrase, SSHADD asks for the passphrase. It then sends the identity to the agent. Several identities can be stored in the agent; the agent can use any of these identities automatically.

\$ SSHADD /LIST displays the identities currently held by the agent. The idea is that the agent is run on the user's workstation.

### FILES

[.SSH]IDENTITY in SYSS\$LOGIN:	Contains the RSA authentication identity of the user. This file should not be readable by anyone but the user. It is possible to specify a passphrase when generating the key. That passphrase is used to encrypt the private part of this file. This file is not used by SSHAGENT, but is added to the agent using SSHADD at login.
--------------------------------	--

### SSHADD

Adds identities for the authentication agent.

```
SSHADD [OPTIONS] [FILE [, FILE, FILE] ]
```

### DESCRIPTION

SSHADD adds identities to SSHAGENT, the authentication agent. When run without arguments, SSHADD adds the file [.SSH]IDENTITY. Alternative file names can be given on the command line. If any file requires a passphrase, SSHADD asks for the passphrase from the user.

The authentication agent must be running and must have been executed by the user for SSHADD to work.

“File” is an identity or certificate file. If no file is specified, the files in the users[.SSH2] directory are used.

### OPTIONS

/HELP	Display help text.
/LIST	List all identities currently represented by the agent.
/LOCK	Lock the agent with a password.
/NOSSH1	Agent cannot use SSH1 keys.
/PURGE	Remove all identities from the agent.

/REMOVE	Remove the identity from the agent. In order to remove identities, you must either issue the command from the subdirectory that the identities are located in, or issue the command using the full path name of the identity (as is seen in an SSHADD /LIST command).
/TIMEOUT= <i>n</i>	Agent should delete this key after the timeout value (in minutes) expires.
/UNLOCK	Unlock the locked agent.
/URL	Give key to the agent as a URL.

## FILES

These files exist in SYS\$LOGIN:

[.SSH]IDENTITY	Contains the RSA authentication identity of the user. This file should not be readable by anyone but the user. It is possible to specify a passphrase when generating the key. That passphrase is used to encrypt the private part of this file. This is the default file added by SSHADD when no other files have been specified.  If SSHADD needs a passphrase, it reads the passphrase from the current terminal if it was run from a terminal. If SSHADD does not have a terminal associated with it but DECW\$DISPLAY is set, it opens an X11 window to read the passphrase.
[.SSH]IDENTITY.PUB	Contains the public key for authentication. The contents of this file should be added to [.SSH]AUTHORIZED_KEYS on all systems where you want to log in using RSA authentication. There is no need to keep the contents of this file secret.
[.SSH]RANDOM_SEED	Seeds the random number generator. This file should not be readable by anyone but the user. This file is created the first time the program is run, and is updated every time SSHKEYGEN is run.

## CERTTOOL

```
certtool [options] /pk10 /subject=<subject> /key_usage=<flags>
        /extended_key_usage=<flags>
multinet certview [options] /pk12 /input_files=<objects>
```

## Description

The CERTTOOL utility is used for different needs concerning X.509 certificates.

## Valid Options

/BITS= <i>n</i>	Key strength in bits (default 2048)
/DEBUG= <i>n</i>	Set debug level to <i>n</i>
/EXTENDED_KEY_USAGE =( <i>flag1...flagn</i> )	(PKCS#10 only)  Extended key usage flags, as a comma-separated list. Valid values are: <ul style="list-style-type: none"><li>• anyExtendedKeyUsage</li><li>• ServerAuth</li><li>• clientAuth</li><li>• codeSigning</li><li>• emailprotection</li></ul> No extended flags are set by default.
/HELP[=(PK10,PK12)]	Display help. More detailed help on manipulating PKCS#10 and PKCS#12 certs is available by adding the PK10 and PK12 qualifier, respectively, to the HELP switch.
/INPUT_FILES=( <i>file1...filen</i> )	(PKCS#12 only)  List of files to include in the PFX package.
/KEY_TYPE= <i>type</i>	Create a new key of type DSA or RSA.
/KEY_USAGE=( <i>flag1...flagn</i> )	(PKCS#10 only)  Key usage flags, as a comma-separated list. Valid values are: <ul style="list-style-type: none"><li>• digitalSignature</li><li>• nonRepudiation</li><li>• keyEncipherment</li><li>• dataEncipherment</li><li>• keyAgreement</li><li>• keyCertSign</li><li>• CRLSign</li><li>• encipherOnly</li><li>• decipherOnly</li></ul> Default values are digitalSignature and keyEncipherment.

/OPTION=( <i>x,y</i> )	<p>Set certificate option <i>x</i> to <i>y</i>. The options that can be set are dependant upon the type of certificate (PKCS#10 or PKCS#12) being affected.</p> <p>For PKCS#10:</p> <ul style="list-style-type: none"> <li>• DNS - set certificate DNS names</li> <li>• Email - set certificate email addresses</li> </ul> <p>For PKCS#12:</p> <ul style="list-style-type: none"> <li>• KeyPBE - set the PBE scheme for shrouding keys. “default” means pbeWithSHAAnd3-KeyTripleDES-CBC.</li> <li>• SafePBE - set the PBE scheme for protecting safes. “default” means pbeWithSHAAnd40BitRC2-CBC.</li> </ul>
/OUTPUT_FILE= <i>prefix</i>	<p>Use <i>prefix</i> as the prefix for all output filenames. Private key filenames will be <i>prefix</i>.SSH2 and PKCS#10 files will be <i>prefix</i>.PKCS10.</p>
/PRIVATE_KEY= <i>keyname</i>	<p>Use <i>keyname</i> as the private key.</p>
/SUBJECT=" <i>subject</i> "	<p>(PKCS#10 only)</p> <p>Use <i>subject</i> as the certificate subject.</p>
/VERSION	<p>Display the version of CERTTOOL.</p>

### Example:

```
$ CERTTOOL /PK10 /SUBJECT=("cn=john doe,cn=lima,cn=beans" -
$_/PRIVATE_KEY=DKA0:[JOHENDOE.SSH2]ID_DSA_1024_A
PKCS#10 creation successful.
Wrote certificate request to output.pkcs10.
```

## CERTVIEW

```
certview [options] certificate [, certificate, ..., certificate]
```

### Description

CERTVIEW can be used to view certificates and check their validity. This tool can also be used to output the data in format that is suitable for insertion in the SSH2\_DIR:SSHD2\_CONFIG configuration file.

### Valid Options

/COMMENT	Prepend information lines with “#” (comment mark)
/DEBUG= <i>n</i>	Set debug level to <i>n</i>
/FORMAT_OUTPUT	Output data in a format suitable for insertion to <i>user-map</i>
/HELP	Display help
/QUIET	Don’t display certificate information
/VALIDATE= <i>certificate</i>	Validate using the CA certificate <i>certificate</i>
/VERSION	Display version information

### Example:

```
$ CERTVIEW MYCERT_PKCS7.P7B-1_SSH2_CRT
Certificate MYCERT_PKCS7.P7B-1_SSH2_CRT
Certificate issuer .....:MAILTO=foo@bar.com, C=US, ST=CO, L=Denver, CN=FOOCA
Certificate serial number .... : 20668029027158235697617769792662904421
Certificate subject ..... : MAILTO=foo@bar.com, C=US, ST=CO, L=Denver, CN=FOOCA
```

## CMPCLIENT

```
$ cmpclient [options]/ca_access_url="<url>"/subject="<subject>"cert-file
[private-key]
```

### Description

Allows users to enroll certificates. It will connect to a CA (certification authority) and use the CMPv2 protocol for enrolling a certificate. The user may supply an existing private key when creating the certification request or allow a new key to be generated.

### Command Parameters

url	Specifies the URL for the Certification Authority
Subject	Specifies the subject name for the certificate. For example, "c=ca,o=acme,ou=development,cn=Bob Jones"
Cert file	Specifies the file the certification is written to.
Private key	Specifies the private key to be written to.

### Valid Options

/BASE=<name>	Specify base prefix for the generated files.
/BITS= <i>n</i>	Specify the key length in bits.
/CA__URL="<url>"	Specify the URL of the Certification Authority.
/DEBUG= <i>n</i>	Set debug to level <i>n</i> (0-60).
/ENROLLMENT_PROTOCOL= <i>prot</i>	Use specified enrollment protocol (SCEP or CMP).
/EXTENSIONS	Enable extensions in the subject name.
/GENERATE_KEY	Generate a new private key.
/HELP	Print this help text.

/PROXY_URL=" <i>&lt;url&gt;</i> "	Specify the URL of the HTTP proxy server URL to be used when connecting to the certification authority.
/REFNUM= <i>refnum:key</i>	Specify the CMP enrollment reference number and key.
/SOCKS_SERVER=" <i>&lt;url&gt;</i> "	Specify the URL of the SOCKS server URL to be used when connecting to the certification authority.
/SUBJECT=" <i>&lt;subject&gt;</i> "	Specifies the subject name for the certificate.
/TYPE= <i>rsa dsa</i>	Specify the key type to generate (default: RSA)
/USAGE_BITS= <i>n</i>	Specify the key usage bits.
/VERSION	Print the version information for this program.



**Examples:**

1. Enroll a certificate and generate a DSA private key:

```
$ cmpclient/type=dsa/generate_key/base=mykey/refnum=12345:abcd -
_$ /ca_url="http://www.ca-auth.domain:8080/pkix/"-
_$ /subject="c=us,o=foobar,cn=Dilbert Dogbert" ca-certification.crt
```

This will generate a private key called mykey.prv and a certificate called mykey-0.crt.

2. Enroll a certificate using a supplied private key and provide an e-mail extension:

```
$ cmpclient/base=mykey/refnum=1234:abcd -
_$ /ca_url="http://www.ca-auth.domain:8080/pkix/"-
_$ /subject="c=us,o=foobar,cn=Dilbert Dogbert:email=foo@bar.com" -
_$ ca-certification.crt my_private_key.prv
```

This will generate and enroll a certificate called mykey-0.crt.

**Note!** SSH stores and uses software certificates in DER encoded binary format. You can use *sshkeygen* to import and convert PKCS#12 packages (*/convert\_pkcs=file*) into private key/certificate pair, X.509 format private key into SSH private key (*/convert\_x509=file*) or PKC#7 into certificate (*/extract\_certs=file*).

## Public-key Subsystem

The public-key subsystem and assistant that can be used to add, remove and list public keys stored on a remote server. The public key assistant and server are based upon a recent IETF draft, so other implementations of SSH may not yet offer this functionality.

The Publickey assistant can be started with:

```
$ PUBLICKEY_ASSISTANT [qualifiers] [[user@]host[#port]]
```

## Publickey Assistant Commands

**ADD *key file name*** - Transfers the key file name to the remote system. The file name specified is expected to be in the SSH2\_CONFIG directory from the user's login directory. e.g., ADD ID\_DSA\_1024\_A.PUB will transfer the public key in ID\_DSA\_1024\_A.PUB to the remote system and updates the AUTHORIZATION. file on the remote system to include this key name.

**CLOSE** - Closes the connection to the remote system

**DEBUG {*no* | *debug\_level*}** - Sets debug level (like in SFTP2)

**DELETE *key fingerprint*** - Deletes the key that matches the fingerprint specified. It is necessary to do a LIST command before this to get a list of the finger prints (and for the program to build its internal database mapping fingerprints to keys).

EXIT- Exits the program.

HELP - Displays a summary of the commands available

LIST- Displays the fingerprint and attributes of keys stored on the remote system. The attributes that are listed will vary with key.

### Example Output:

```
Fingerprint: xozil-bemup-favug-fimid-tohuk-kybic-huloz-fukuc-kuril-gezah-loxex
```

```
key type: ssh-dss
```

```
Comment: 1024-bit dsa, user@simple.example.com, Wed Jun 05 2007 21:05:40
```

OPEN [*user@*]*host*[*#port*] Opens a connection to a remote publickey subsystem.

QUIT- Quits the program.

UPLOAD *key file name* - Transfers the key file name to the remote system. The file name specified is expected to be in the SSH2\_CONFIG directory from the user's login directory. e.g., ADD ID\_DSA\_1024\_A.PUB will transfer the public key in ID\_DSA\_1024\_A.PUB to the remote system and updates the AUTHORIZATION. file on the remote system to include this key name.

VERSION [*protocol version*] - Displays or sets the protocol version to use. The protocol version can only be set before the OPEN command is used. The default version is 1.

### Publickey Assistant Qualifiers

/BATCHFILE - Provides file with publickey assistant commands to be executed. Starts SSH2 in batch mode. Authentication must not require user interaction.

/CIPHER - Selects encryption algorithm(s).

/COMPRESS - Enables SSH data compression.

/DEBUG - Sets debug level (0-99).

/HELP - Displays a summary of the qualifiers available.

/MAC - Selects MAC algorithm(s). /MAC=(*mac-1*,...,*mac-n*)

/PORT - Tells sftp2 which port sshd2 listens to on the remote machine.

/VERBOSE - Enables verbose mode debugging messages.

Equal to "/debug=2". You can disable verbose mode by using "debug disable."

/VERSION - Displays version number only.

### Other Implementations

VanDyke includes this in their SecureFX and VShell products. VanDyke also has a patch available for a server for OpenSSH.



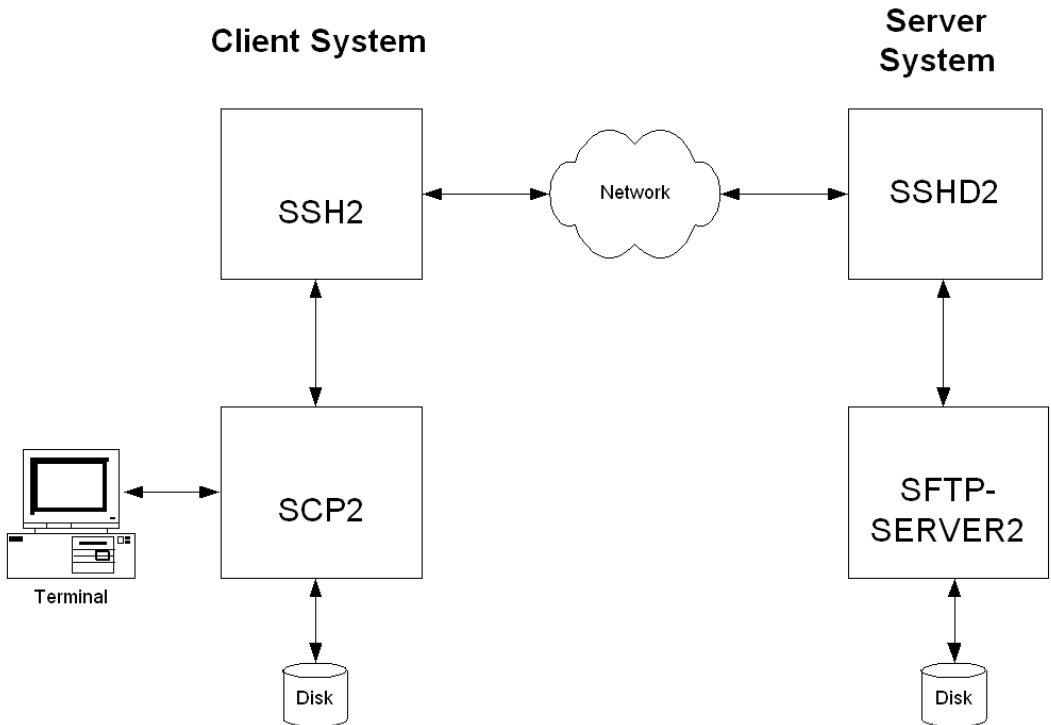


# Chapter 17

## Secure File Transfer

There are three methods to do secure file transfer: SCP2, SFTP2, and FTP over SSH2. SCP2 and SFTP2 communicate with SSH2 for authentication and data transport (which includes encryption) to remote systems and to activate the SFTP-SERVER2 image. An SCP1 server is provided for compatibility with OpenSSH SCP.

The following diagram illustrates the relationship among the client and server portions of an SCP2 or SFTP2 file transfer:



SCP file transfers are different from FTP file transfers. With FTP a file can be transferred as ASCII, BINARY, RECORD, or in OpenVMS format (if MultiNet or TCPware is in use). In SCP the primary transfer format is BINARY. Also, the defined syntax for a file specification is UNIX syntax. Due to these restrictions, files that are transferred from dissimilar systems may or may not be useful. ASCII transfers are done by searching the transferred data for the specified newline sequence and making the specified substitution. Process Software has used methods available in the protocol to attempt to improve the chances that files will be useful upon transfer. The SSH File Transfer Protocol is an evolving specification, and some implementations may not support all options available in the protocol, or worse, not tolerate some optional parts of later versions of the protocol.

Process Software has used the defined extensions in the protocol to transfer information about the VMS file header characteristics such that when a file is transferred between two VMS systems running MultiNet v4.4 or higher, TCPware V5.7 or higher, and/or SSH for OpenVMS, the file header information will also be transferred and the file will have the same format on the destination system as it had on the source system. Also, when a text file is transferred to a non-VMS system, a method has been provided to convert those files that can be translated into a format that will be usable on the remote system. Files that are converted from non-VMS systems are stored as stream files on the VMS system, which provides compatibility for text files from those systems. Filenames are SRI-encoded when files are stored on ODS-2 disks.

## SCP-SERVER1

The SCP-SERVER1 program is used when a system with OpenSSH initiates an SCP command. OpenSSH uses RCP over SSH2 instead of the SFTP protocol. SCP-SERVER1 will always convert VMS text files (if possible) when copying a file from VMS. Converted VMS text files may have some trailing nulls at the end of them, due to the RCP protocol not being able to tolerate a file that comes up short of the reported size. SCP-SERVER1 (and SFTP-SERVER2) use sophisticated methods to estimate the amount of user data in the file to minimize this. On ODS-5 disks the estimation routine uses the file size hint if it is valid. On ODS-2 disks (and ODS-5 without a valid size hint), the size of the file and file characteristics are used to estimate the amount of user data. The method provides as accurate an estimate as possible without actually reading the file and never underestimates the amount of data in the file. Underestimating would cause significant problems as the programs use the size of the file to determine how much data to expect.

## SCP2

### *Usage*

```
SCP2 [qualifiers] [[user@]host[#port]::]file [[user@]host[#port]::]file
```

**Note!** The source and destination file specification must be quoted if they contain a user specification or a non-VMS file specification.

## Qualifiers

**Table 17 -1 SCP Qualifiers**

<b>Qualifier</b>	<b>Description</b>
<code>/ASCII[=<i>newline convention</i>]</code>	Newline convention is one of dos, mac, unix, vms, or sftp. The newline convention specified is the newline convention to use if a newline convention is not specified by the server. Allowed values: dos (\r\n), mac (\r), unix (\n), vms (\n), sftp (\r\n). Default = unix.
<code>/BATCH</code>	Starts SSH2 in batch mode. Authentication must be possible without user interaction.
<code>/BUFFER_SIZE=<i>integer</i></code>	Number of bytes of data to transfer in a buffer. Default is 7500. Minimum value is 512.
<code>/CIPHER=(<i>cipher-1</i>,...,<i>cipher-n</i>)</code>	Selects an encryption algorithm(s).
<code>/COMPRESS</code>	Enables SSH data compression.
<code>/CONCURRENT_REQUEST=<i>integer</i></code>	Number of concurrent read requests to post to the source file. Default is 4.
<code>/DEBUG=<i>level</i></code>	Sets a debug level. (0-99)
<code>/DIRECTORY</code>	Forces the target to be a directory.
<code>/HELP</code>	Displays the help text.
<code>/IDENTITY_FILE=<i>file</i></code>	Identifies the file for public key authentication.
<code>/PORT=<i>number</i></code>	Tells SCP2 which port SSHD2 listens to on the remote machine.
<code>/PRESERVE</code>	Preserves file attributes and timestamps.
<code>/NOPROGRESS</code>	Does not show progress indicator.
<code>/QUIET</code>	Does not display any warning messages.
<code>/RECURSIVE</code>	Processes the entire directory tree.

**Table 17 -1 SCP Qualifiers (Continued)**

Qualifier	Description
/REMOVE	Removes the source files after copying.
/TRANSLATE_VMS= ( <i>ALL, NONE, VARIABLE, FIXED, VFC</i> )	Selects the VMS text files to be translated (default=ALL).  Note that /ASCII performs a similar function and may be supported in other SCP products.
/VERBOSE	Displays verbose debugging messages. Equal to "/debug=2".
/VERSION	Displays the version number only.
/VMS	Negotiates the ability to transfer VMS file information.

**Note!** /ASCII, /VMS and /TRANSLATE\_VMS are mutually exclusive

## File Specifications

The source and destination strings are changed to lowercase unless they are enclosed in quotes, in which case they are left the same. File specification must be in UNIX format for remote systems, unless the remote system is running TCPware 5.6, MultiNet v4.4 or higher, or SSH for OpenVMS, and

/VMS or /TRANSLATE\_VMS (source files only) are used. UNIX format file specifications need to be enclosed in quotes ("") if they contain the / character to prevent the DCL parsing routines from interpreting the string as a qualifier.

## Qualifiers

### ***/ASCII[=newline convention]***

Uses the newline convention specified if the server does not specify a newline convention.

Available conventions are: dos (r\n), mac (r), unix (n), vms (n), sftp (r\n). Default = unix.

### ***/BATCH***

Starts SSH2 in BATCH mode. When SSH2 is running in BATCH mode it does not prompt for a password, so user authentication must be performed without user interaction.



***/BUFFER\_SIZE=integer***

Number of bytes of data to transfer in a buffer. Default is 7500.

***/CIPHER=(cipher,...,cipher-n)***

Lets you select which SSH2 cipher to use.

***/COMPRESS***

Enables SSH2 data compression. This can be beneficial for large file transfers over slow links. The compression level is set by the client configuration file for SSH2.

***/CONCURRENT\_REQUEST=integer***

Number of concurrent read requests to post to the source file. Default is 4.

***/DEBUG***

Enables debugging messages for SCP2 and SSH2. Higher numbers get more messages. The legal values are between 0 (none) and 99. Debugging for SFTP-SERVER2 is enabled via the TCPWARE\_SSH\_SFTP\_SERVER\_DEBUG logical.

***/DIRECTORY***

Informs SCP2 that the target specification should be a directory that the source file(s) will be put in. This qualifier is necessary when using wildcards in the source file specification, or /RECURSIVE.

***/HELP***

Displays command qualifier list and parameter format.

***/IDENTITY\_FILE=file***

Specifies the identity file that SSH2 should use for Public-Key authentication.

***/PORT=number***

Specifies the port that SSH2 uses on the remote system. Note that if both the source and destination files are remote, this value is applied to both. If SSH2 is available on different ports on the two systems, then the #port method must be used.

***/PRESERVE***

Sets the Protection, Owner (UIC), and Modification dates on the target file to match that of the source file. The adjustment of timestamps for timezones is dependent upon the logical SYS\$LOCALTIME being set correctly. This is defined automatically on VMS V7 and can be defined similarly on earlier versions of VMS. /PRESERVE is not very useful when the target machine is a VMS system as VMS does not provide runtime library calls for setting the file

attributes (owner, protection) and timestamps. Note that the VMS modification date (not the creation date) is propagated to the remote system. When files are copied between two VMS systems and /VMS is used /PRESERVE is implied and the process of transferring VMS attributes preserves the information about the protection, dates, and file characteristics.

### ***/NOPROGRESS***

SCP2, by default, updates a progress line at regular intervals when it is run interactively to show how much of the file has been transferred. This qualifier disables the progress line.

### ***/QUIET***

Disables warning messages. Note that it does not disable warning messages from SFTP-SERVER2, which return on the error channel.

### ***/RECURSIVE***

Copies all of the files in the specified directory tree. Note that the top level directory on the local system is not created on the remote system. Only the most recent version is copied unless in VMS mode and the TCPWARE\_SFTP\_VMS\_ALL\_VERSIONS logical is defined to be TRUE.

### ***/REMOVE***

Deletes the source files after they have been copied to the remote system.

### ***/TRANSLATE\_VMS***

Translates VMS text files in the copying process to byte streams separated by linefeeds because the defined data transfer format for SCP2 is a binary stream of bytes.

/TRANSLATE\_VMS is only applicable to the source specification. If a remote source file is specified, then that system must be running MultiNet v4.4 or higher, TCPware 5.6, or SSH for OpenVMS. If /TRANSLATE\_VMS is specified with no value, then VARIABLE, FIXED, and VFC (Variable, Fixed Control) files are translated to stream linefeed files. If the value is NONE, no files are translated. VARIABLE, FIXED, and VFC can be combined in any manner. The SFTP-SERVER2 process uses the value of the logical TCPWARE\_SFTP\_TRANSLATE\_VMS\_FILE\_TYPES to determine which files should be translated automatically. This is a bit mask with bit 0 (1) = FIXED, bit 1 (2) = VARIABLE, and bit 2 (4) = VFC. These values can be combined into a number between 0 and 7 to control which files are translated.

**Note!** Due to the structure of the programs, the SCP2 program uses this logical if the /TRANSLATE\_VMS qualifier has not been specified.

### ***/VERBOSE***

Displays debugging messages that allow the user to see what command was used to start up SSH and other basic debugging information. Note that debugging information can interfere with the normal display of the progress line. Equivalent to /DEBUG=2.

## ***/VERSION***

Displays the version of the base SCP2 code.

## ***/VMS***

Transfers VMS file information similar to that transferred in OVMS mode in FTP such that VMS file structure can be preserved. All of the information transferred in FTP OVMS mode is transferred along with the file creation date and protection. Timestamps are not adjusted for timezone differences in VMS transfers. If the file is a contiguous file, and it is not possible to create the file contiguously, and the logical `TCPWARE_SFTP_FALLBACK_TO_CBT` has the value of `TRUE`, `YES`, or `1`, SFTP-SERVER2 attempts to create the file Contiguous, Best Try. VMS mode is only available with SCP2 provided in MultiNet v4.4 or higher, TCPware 5.6, and SSH for OpenVMS.

The logical name `TCPWARE_SCP2_VMS_MODE_BY_DEFAULT` can be defined to `TRUE`, `YES`, or `1` to specify that `/VMS` should be the default unless `/NOVMS` or `/TRANSLATE_VMS` are specified. `/VMS` and `/TRANSLATE_VMS` can not be used on the same command line. If `/VMS` is not specified, but the logical is set to enable it by default, a `/TRANSLATE_VMS` on the command line will take precedence.

Note that even though SCP2 & SFTP-SERVER2 pass the request for VMS file transfers or to translate a VMS file in a manner that is consistent with the protocol specification, other implementations may not handle this information well. Since there is no error response present at that point in the protocol, the program hangs. To prevent it from hanging forever, the logical `TCPWARE_SCP2_CONNECT_TIMEOUT` is checked to see how long SCP2 should wait for a response when establishing the connection. The format for this logical is a VMS delta time. The default value is 2 minutes. If SCP2 times out before a connection is established with SFTP-SERVER2 and `/VMS` or `/TRANSLATE_VMS` were specified, a warning message is displayed and the initialization is tried again without the request for VMS information (or `/TRANSLATE_VMS`). This retry is also subject to the timeout, and if the timeout happens again, then SCP2 exits. This helps for implementations that ignore the initialization message when information they do not recognize is present; implementations that abort will cause SCP2 to exit immediately.

## **Logicals**

For the following logicals, all that start `TCPWARE_SFTP` apply to the SCP2 client, SFTP2 client and SFTP2 server.

### ***TCPWARE\_SFTP\_FALLBACK\_TO\_CBT***

When defined to `TRUE`, `YES`, or `1` and a VMS file transfer is being performed, this logical creates a Contiguous file if that file has Contiguous characteristics. The file will be created as Contiguous Best Try if there is insufficient space to create it as Contiguous.

### ***TCPWARE\_SFTP\_TRANSLATE\_VMS\_FILE\_TYPES***

This is a bit mask that determines which VMS file types should be translated when not operating in VMS mode.

- Bit 0 (1) = FIXED
- Bit 1 (2) = VARIABLE
- Bit 2 (4) = VFC

The values are:

- 0 (zero) = NONE
- 7 = ALL

Note that this logical affects SCP2 as well as the server, as SCP2 has the server built into it for handling local file access. If this logical is not defined, the value 7 will be used.

### ***TCPWARE\_SCP2\_CONNECT\_TIMEOUT***

This logical defines a number specifying how long SCP2 should wait for a response to the INITIALIZE command from the server program. This is a VMS delta time number. The default is 2 minutes.

### ***TCPWARE\_SCP2\_VMS\_MODE\_BY\_DEFAULT***

When defined to TRUE, YES, or 1, this logical chooses the /VMS qualifier if /TRANSLATE\_VMS or /NOVMS has not been specified.

### ***TCPWARE\_SFTP\_RETURN\_ALQ***

When defined to TRUE, YES, or 1 and files are being transferred in VMS mode, this logical includes the Allocation Quantity for the file in the file header information. This is disabled by default because copying a small file from a disk with a large cluster size to a disk with a small cluster size causes the file to be allocated with more space than necessary. You have the option of retaining the allocated size of a file if it was allocated the space for a reason. Some combinations of file characteristics require that the Allocation Quantity be included in the file attributes; this is handled by SCP2/SFTP-SERVER2.

### ***TCPWARE\_SSH\_SCP\_SERVER\_DEBUG***

Enables debugging messages for the SCP-SERVER1 image that provides service to SCP commands that use the RCP over SSH2 protocol (OpenSSH). When this is defined, the file SCP-SERVER.LOG is created in the user's login directory. These files are not purged. Larger values yield more debugging information.

***TCPWARE\_SSH\_SFTP\_SERVER\_DEBUG***

Enables debugging messages for the SFTP-SERVER2 image that provides service to SCP2 commands that use the SFTP protocol. When this is defined, the file SFTP-SERVER.LOG is created in the user's login directory. These files are not purged. Larger values yield more debugging information

***TCPWARE\_SFTP\_MAXIMUM\_PROTOCOL\_VERSION***

This logical can be used to limit the version of the SSH File Transfer Protocol that the SFTP client and Server use. This can sometimes provide a work-around for problems encountered with different implementations of the protocol. The default value is 4. Protocol versions 2 and 3 are also used by popular implementations.

***TCPWARE\_SFTP\_VMS\_ALL\_VERSIONS***

This logical controls whether or not all versions of a file are returned. The values TRUE, YES or 1 will return all versions, any other value is to only return the name of the file without a version. The default is to return only one filename without the version number.

***TCPWARE\_SFTP\_NEWLINE\_STYLE***

This logical controls the newline style that SFTP uses. Which can be helpful in transferring text files. The values are: UNIX <lf>, VMS <lf>, MAC <cr>. If the logical is not defined, or defined to any other value, then <cr><lf> will be used for the text line separator as documented in the SSH File Transfer specification.

***TCPWARE\_SFTP\_CASE\_INSENSITIVE***

This logical causes SFTP to treat filenames in a case insensitive manner when it is defined to TRUE, YES, or 1.

***TCPWARE\_SFTP\_ODS2\_SRI\_ENCODING***

This logical controls whether or not SRI encoding is used for filenames on VMS ODS-2 disks. If the logical is not defined, or is defined to TRUE, YES, or 1 then SRI encoding is used on ODS-2 disks for filenames that contain uppercase letters and special characters.

***TCPWARE\_SFTP\_FILE\_ESTIMATE\_THRESHOLD***

This logical controls the minimum number of blocks that a text file must be for an estimated transfer size to be returned instead of an exact size. The default is to estimate the transfer size for all text files.

### ***TCPWARE\_SFTP\_DEFAULT\_FILE\_TYPE\_REGULAR***

If this logical is defined to TRUE, YES or 1, then the SFTP server will use a default file type of REGULAR instead of UNKNOWN for OPEN operations. This can correct problems with filenames without a . (dot) in them getting .dir added to them. The filename will appear with a . at the end of the name in directory listings.

### ***TCPWARE\_SFTP\_<username>\_CONTROL***

The logical TCPWARE\_SFTP\_<username>\_CONTROL can be defined /SYSTEM to any combination of NOLIST, NOREAD, NOWRITE, NODELETE, NORENAME, NOMKDIR, NORMDIR, to restrict operations for the username in the logical. NOWRITE will disable PUT, DELETE, RENAME, MKDIR, RMDIR; NOREAD will disable GET and LIST.

### ***TCPWARE\_SFTP\_<username>\_ROOT***

The logical TCPWARE\_SFTP\_<username>\_ROOT can be defined /SYSTEM to restrict the user to the directory path specified. Subdirectories below the specified directory are allowed.

### ***SSH\_SFTP\_LOG\_SEVERITY***

The logical SSH\_SFTP\_LOG\_SEVERITY can be defined /SYSTEM to 20000 to log file transfers or 30000 to log all SFTP operations.

### ***SSH2\_SFTP\_LOG\_FACILITY***

The logical SSH2\_SFTP\_LOG\_FACILITY must also be defined /SYSTEM to specify the logging class that is used with OPCOM.

Values below 5 will use the network class; 5 will use OPER1, 6 will use OPER2, etc. The maximum value that can be specified is 12, which will use OPER8.

### ***TCPWARE\_SFTP\_SEND\_VENDOR\_ID***

If this logical is defined to “No”, “False” or “0” (zero), then the SFTP2 client will not send the extended command containing the vendor-id upon completion of version negotiation with the server.

### ***TCPWARE\_SFTP\_ADD\_ODS5\_CARETS***

For ODS-5 devices, SFTP will only put carets in file names if the logical TCPWARE\_SFTP\_ADD\_ODS5\_CARETS is defined to be True, Yes, or 1. In all other cases the name will be used as-is.

## SFTP2

### File Specifications

File specification must be in UNIX format for remote systems, unless /VMS transfers are being used.

### SFTP2 Command Syntax and Qualifiers

#### Usage

```
SFTP2 [qualifiers] [[user@]host [#port]]
```

If the username@ is included in the remote system specification, the specification must be enclosed in quotes.

#### Qualifiers

**Table 17-2 SFTP2 Qualifiers**

Qualifier	Description
/BATCHFILE=< <i>file specification</i> >	Provides file with SFTP commands to be executed. Starts SSH2 in batch mode. Authentication must not require user interaction.
/BUFFER_SIZE= <i>integer</i>	Number of bytes of data to transfer in a buffer. Default is 7500.
/CIPHER=( <i>cipher-1</i> ,..., <i>cipher-n</i> )	Selects encryption algorithm(s).
/COMPRESS	Enables SSH data compression.
/CONCURRENT_REQUEST= <i>integer</i>	Number of concurrent read requests to post to the source file. Default is 4.
/DEBUG= <i>level</i>	Sets debug level (0-99).
/HELP	Displays help.
/MAC=( <i>mac-1</i> ,..., <i>mac-n</i> )	Select MAC algorithm(s).
/NOPROGRESS	Do not show progress indicator.

**Table 17-2 SFTP2 Qualifiers (Continued)**

<b>Qualifier</b>	<b>Description</b>
/PORT	Tells sftp2 which port sshd2 listens to on the remote machine.
/VERBOSE	Enables verbose mode debugging messages. Equal to "/debug=2". You can disable verbose mode by using "debug disable."
/VERSION	Displays version number only.
/[NO]VMS	Negotiates ability to transfer VMS file information. VMS transfer mode will be automatically negotiated if SFTP2 detects that the server is capable of doing VMS transfers unless /NOVMS is specified.



## SFTP2 Commands

Table 17-3 SFTP2 Commands

SFTP2 Command	Description
ASCII[{-s   <remote> [<local>]}]	<p>With “-s” option, shows current newline convention. &lt;remote nl conv&gt; sets remote newline convention. &lt;local nl conv&gt; operates on local side, but is not as useful (the correct local newline convention is usually compiled in, so this is mainly for testing). You can set either of these to “ask”, which will cause sftp to prompt you for the newline convention when needed. With the exception of “-s” option, this command sets transfer mode to ascii. Available conventions are “dos”, “unix”, “sftp”, “vms”, or “mac”, using “\r\n”, “\n”, “\r\n”, “\n” and “r” as newlines, respectively.</p> <p>Note that some implementations of SFTP may check to see if a file can be transferred in ASCII mode before doing so, and return errors for files that cannot be transferred. SSH for OpenVMS, MultiNet, and TCPware make this check.</p>
AUTO	Sets the transfer mode (ASCII or BINARY) to depend upon the extension of the file specification.
BINARY	Sets the transfer mode to be binary. (This is the default.)
BUFFERSIZE [number]	Sets the size of the buffer used for file transfer. A larger buffer size helps speed large transfers. Displays the current buffersize when no parameter is specified.

**Table 17-3 SFTP2 Commands**

CD <i>&lt;directory specification&gt;</i>	Changes current directory on remote system. VMS file specifications may be used when operating in VMS mode. A logical name must include the trailing colon so that it can be recognized as such. SFTP from other vendors cannot use VMS specifications due to the way that SFTP works.
CHMOD [-R] <i>&lt;mode&gt;</i> file [file...]	Change the protection on a file or directory to the specified octal mode. (Unix values). -R recurses over directories.
CLOSE	Closes connection to the remote server.
DEBUG {disable   no   <i>&lt;debug level&gt;</i> }	Sets the debug level for SFTP2. It does not change the current debug level for SSH2 for an existing connection, but will be used with SSH2 for a new connection. With “disable” or “no”, this disables all debugging current sessions for SFTP2.
DELETE <i>&lt;file specification&gt;</i>	Removes the specified file from the remote system.
DIRECTORY [ <i>&lt;file   directory specification&gt;</i> ]	Displays the contents of the current directory or specified directory in VMS format when the transfer mode is VMS. File names are displayed as they would be with a DIRECTORY command from DCL.
EXIT	Exits SFTP client.

Table 17-3 SFTP2 Commands

GET [--preserve-attributes   -p ] <file1> [ <file2>...]	Retrieves the specified file(s) from the remote system and stores it in the current working directory on the local system. File names are case sensitive and in UNIX format. When operating in VMS mode, either UNIX or VMS-style file specifications can be used. Directories are recursively copied with their contents. Multiple files may be specified by separating the names with spaces.  If --preserve-attributes or -p is specified, then SFTP attempts to preserve timestamps and access permissions.  Note that a target filename cannot be provided.
GETEXT	Displays the list of file extensions to use ASCII transfers when in AUTO mode. The initial value is txt,htm*,pl,php*
HELP	Displays help on commands.
LCD <directory specification>	Changes the current directory on the local system. VMS file specifications may be used when in VMS mode.
LCHMOD	Change the protection on a file or directory on the local connection to the specified octal mode. (Unix values). -R recurses over directories.
LCLOSE	Close the local connection.
LDELETE <file>	Removes the specified file from the local system. VMS file specifications may be used when in VMS mode.
LDIRECTORY [<file  directory specification>]	Displays the contents of the current directory for the local system in VMS format when the transfer mode is VMS. File names are displayed as they would be with a DIRECTORY command from DCL.

**Table 17-3 SFTP2 Commands**

LLS [ <i>&lt;file  directory specification&gt;</i> ]	Displays the contents of the current directory or specified directory in UNIX format. Lists the names of files on the local server. For directories, contents are listed. See LS for options and more details.
LLSROOTS	Like LSROOTS, but for the “local” side.
LMKDIR <i>&lt;directory specification&gt;</i>	Creates the specified directory on the local system.
LOCALOPEN {[ <i>user@host[#port]</i>   -1]}	<p>Tries to connect the local side to the host <i>&lt;hostname&gt;</i>. If successful, “lls” and friends will show the contents of the filesystem on that host. With the -l option, connects to the local filesystem (which doesn’t require a server). There is an implied LOCALOPEN -l when SFTP2 starts up.</p> <p>Note that an implicit LOCALOPEN is done when SFTP2 starts, so the only time that a user needs to do a LOCALOPEN is when neither directory tree is immediately accessible. OPEN is the command that is generally used to establish the connection with the remote system.</p> <p>LOPEN is a synonym for LOCALOPEN.</p>
LPWD	Displays the current working directory on the local system.
LREADLINK <i>&lt;path&gt;</i>	Provided that <i>&lt;path&gt;</i> is a symbolic link, shows where the link is pointing to. This command is not supported for VMS.
LRENAME <i>&lt;oldfile&gt;</i> <i>&lt;newfile&gt;</i>	Renames a file on the local system.
LRM <i>&lt;file specification&gt;</i>	Removes the specified file from the local system. VMS file specifications may be used when in VMS mode.
LRMDIR <i>&lt;directory specification&gt;</i>	Deletes a directory on the local system.

**Table 17-3 SFTP2 Commands**

<p>LS [-a] [-c] [-C] [-t] [-u] [-z] [-R] [-l] [-S] [-r] [ &lt;file&gt; ...]</p>	<p>Displays the contents of the current directory or specified directory in UNIX format. Lists the names of files on the remote server. For directories, contents are listed. When the -R is given, directory trees are listed recursively. (By default, subdirectories of the arguments are not visited.) When the -l option is given, permissions, owners, sizes, and modification times are also shown. When the -S options is specified sorting is based upon file size instead of alphabetically. The -r option reverses the sort order. When no arguments are given, it assumes that the contents of “.” (current working directory) are being listed. If -a is specified, then . and .. are included. If -c is specified, then files are sorted by creation time. If -C is specified, then compact format is displayed. If -t is specified, then files are sorted by modification time. If -u is specified, then files are sorted by access time. -z is like -l, but the information is formatted locally. If any combination of -c, -t and -u are specified, then only the last one is used Ls will fill a screen with output, then wait for the user to decide if they want more or have seen enough.</p>
<p>LSROOTS</p>	<p>Displays the virtual roots of the server. (This VanDyke Software’s V Shell extension. Without this you can’t know the filesystem structure of a V Shell server). This is also a VMS extension to display the roots (devices) on the VMS system. Though the commands are the same, the information provided is not compatible with what is displayed by VanDyke Software’s Secure FX.</p>
<p>LSYMLINK &lt;targetpath&gt; &lt;linkpath&gt;</p>	<p>Like SYMLINK, but for the “local” side.</p>

**Table 17-3 SFTP2 Commands**

MGET [--preserve-attributes   -p] <file1> [<file2>...]	Retrieves multiple files from the remote system and stores them in the current working directory on the local system.  If --preserve-attributes or -p is specified, then SFTP attempts to preserve timestamps and access permissions.
MKDIR <directory specification>	Creates the specified directory on the remote system.
MPUT [--preserve-attributes   -p] <file1> [<file2>...]	Stores multiple files in the current working directory on the remote system. File names are case-sensitive and in UNIX format. When operating in VMS mode, either UNIX or VMS-style file specifications can be used. Directories are recursively copied with their contents. Multiple files may be specified by separating the names with spaces.  If --preserve-attributes or -p is specified, then SFTP attempts to preserve timestamps and access permissions.
OPEN {-l   [user@]host[#port]}	Tries to connect to the host<hostname>. Or with the -l option, connects the remote side to the local filesystem (which doesn't require a server).
PUT [--preserve-attributes   -p] <file1> [<file2>...]	Stores the specified file in the current working directory on the remote system. File names are case-sensitive and in UNIX format. When operating in VMS mode, either UNIX or VMS-style file specifications can be used. Directories are recursively copied with their contents. Multiple files may be specified by separating the names with spaces.  If --preserve-attributes or -p is specified, then SFTP attempts to preserve timestamps and access permissions.  Note that a target filename cannot be provided.

Table 17-3 SFTP2 Commands

PWD	Displays the current working directory on the remote system. Displayed in VMS format when in VMS mode; otherwise displayed in UNIX format.
QUIT	Exits SFTP client.
READLINK <targetpath> <linkpath>	Provided that <path> is a symbolic link, shows where the link is pointing to. Not valid for VMS systems as VMS does not have symbolic links.
RECORD	Enters record transfer mode if the server supports Process Software's record open. The direction in which record transfer mode is possible will be displayed in response to this command. In record transfer mode the source file is opened as binary records and the destination file is opened as binary. This produces the same effect as TCPware's FTP server BINARY transfer when a BLOCK_SIZE has not been specified, and can be used to transfer a file that contains VMS records to a system that can only handle "flat" files.
RENAME <oldfile> <newfile>	Renames file on the remote system.
RM <file specification>	Removes the specified file from the remote system.
RMDIR <directory specification>	Deletes a directory on the remote system.
SETEXT <ext1>[<ext2>...]	Sets the list of file extensions to use ASCII transfers when in AUTO mode. Individual file extensions must be separated by spaces.
STATUS	Shows the transfer mode, remote server name, and remote server version. The current newline sequence is displayed if operating in ASCII or AUTO mode.
SYMLINK <targetpath> <linkpath>	Creates symbolic link <linkpath>, which will point to <targetpath>. Not valid for VMS systems as VMS does not have symbolic links.

**Table 17-3 SFTP2 Commands**

VERBOSE	Enables verbose mode (identical to “/DEBUG=2” command-line option). You may later disable verbose mode by “debug disable”.
VMS	Sets the transfer mode to include VMS file information.

### **Logicals**

The following logicals are specific to SFTP2.

#### ***TCPWARE\_SFTP\_VMS\_MODE\_BY\_DEFAULT***

When defined to TRUE, YES, or 1, this logical chooses the /VMS qualifier if /NOVMS has not been specified.

### **Configuration File Parameters**

The system wide configuration file (SSH2\_DIR:SSH2\_CONFIG.) or the user’s configuration file (SYS\$LOGIN:[.SSH2]SSH2\_CONFIG.) can be used to specify the following parameters. The user’s configuration file takes precedence over the system configuration file.

**Table 17-1 SFTP/SCP2 user configuration parameters**

---

FilecopyMaxBuffers	This is equivalent to the /CONCURRENT_REQUEST qualifier on the SFTP2 or SCP2 command line. The command line qualifier will supersede any value in the configuration file.
FilecopyMaxBuffersize	This is equivalent to the SFTP2 BUFFERSIZE command or the SCP2 /BUFFER_SIZE qualifier. The command or qualifier takes precedence.

---

## **FTP over SSH**

SSH2 can be used to set up port forwarding that can be used for FTP. This allows users to use the richness of the FTP command set to access files on a remote system and have their control and data information encrypted. The command format to set up the SSH port forwarding is:

```
$ ssh <remote_host_name>/local_forward=  
 (“ “ftp/<forwarded_port_number>:localhost:21” ” )
```

The usual SSH authentication mechanisms come into play, so there may be a request for a password and a terminal session is established to the remote host. As long as this terminal session is alive, other users on the local system can use FTP to access the remote system over an encrypted channel.



The location of the quotes is important, as it is necessary to prevent DCL from interpreting the / in the local forwarding information as the start of a new qualifier, and SSH2 does not know or expect to find the ( ) around the forwarding information. Note that the “localhost” inside of the forwarding string is important, as it will make the connection to FTP on the remote system come from localhost, which will then allow FTP to open the data port.

When a user desires to use an encrypted FTP connection, the following sequence of commands would be issued:

```
PORT <forward_port_number>  
OPEN LOCALHOST
```

Normal FTP authentication takes place and multiple FTP sessions may use a single forwarded port. The FTP protocol filter in SSH2 scans the FTP command stream for the FTP PORT and PASV commands and their replies, and makes substitutions in these commands and replies to use a secure data stream through the SSH2 session that has been set up. This command will establish an encrypted FTP session with the remote host that the SSH connection is sent to.

To allow a single system to act as a gateway between two networks, add /ALLOW\_REMOTE\_CONNECT to the SSH command that initiates the connection.



# Appendix A

---

## References

### Introduction

This appendix lists documentation to which you can refer for additional details about TCPware for OpenVMS, TCP/IP protocol suite, networking concepts, and related subjects.

### TCPware for OpenVMS Documentation

Be sure you have the following additional TCPware for OpenVMS documents available for reference:

*Installation & Configuration Guide*

*Management Guide*

*Network Control Utility (NETCU) Command Reference*

*Programmer's Guide*

### Requests for Comments (RFCs)

Requests for Comments (RFCs) documents contain the specifications for all internet protocols. Unless specifically noted otherwise on the RFC itself, all RFCs are for unlimited distribution.

You can obtain RFCs by going to the <http://www.rfcs.org> web site.

Table A-1 lists the RFCs containing the protocol specifications implemented by TCPware for

OpenVMS.

**Table A-1 A Subset of RFCs Implemented by TCPware for OpenVMS**

<b>Title</b>	<b>RFC #</b>
<i>User Datagram Protocol (STD 6)</i>	768
Internet Protocol: DARPA Internet Program Protocol Specification	791
<i>Internet Control Message Protocol (see also RFC 950)</i>	792
Transmission Control Protocol	793
<i>Simple Mail Transfer Protocol (STD 10)</i>	821
<i>Standard for the Format of Text Messages (STD 11)</i>	822
An Ethernet Address Resolution Protocol	826
<i>TELNET Protocol Specification (STD 8)</i>	854
<i>TELNET Option Specification (STD 8)</i>	855
<i>TELNET Binary Transmission (STD 27)</i>	856
<i>TELNET Echo Option (STD 28)</i>	857
<i>TELNET Suppress Go Ahead Option (STD 29)</i>	858
<i>Echo Protocol (STD 20)</i>	862
<i>Discard Protocol (STD 21)</i>	863
<i>Character Generator Protocol (STD 22)</i>	864
Quote of the Day Protocol	865
<i>Daytime Protocol (STD 25)</i>	867
<i>Time Protocol (STD 26)</i>	868
TELNET End of Record Option	885
Trailer Encapsulations	893
A Standard for the Transmission of IP Datagrams over Ethernet Networks	894
Reverse Address Resolution Protocol	903
<i>Broadcasting Internet Datagrams (STD 5)</i>	919
<i>Broadcasting Internet Datagrams in the Presence of Subnets (STD 5)</i>	922

**Table A-1 A Subset of RFCs Implemented by TCPware for OpenVMS (Continued)**

<b>Title</b>	<b>RFC #</b>
<i>Internet Standard Subnetting Procedures (STD 5)</i>	950
<i>Bootstrap Protocol (BOOTP)</i>	951
<i>File Transfer Protocol (STD 9)</i>	959
<i>Mail Routing and the Domain System (STD 14)</i>	974
XDR: External Data Representation Standard	1014
Domain Administrators Guide	1032
Domain Administrators Operations Guide	1033
Domain Names: Concepts and Facilities	1034
A Standard for the Transmission of IP Datagrams over IEEE 802 Networks	1042
Internet Protocol on Network Systems HYPERchannel Protocol Specification	1044
A Nonstandard for Transmission of IP Datagrams over Serial Lines: SLIP	1055
RPC: Remote Procedure Call Protocol Specification, Version 2	1057
TELNET Window Size Option	1073
TELNET Terminal Speed Option	1079
TELNET Terminal-Type Option	1091
NFS: Network File System Protocol Specification	1094
TELNET X Display Location Option	1096
DNS Encoding of Network Names and Other Types	1101
U.S. Department of Defense Security Options for the Internet Protocol	1108
Host Extensions for IP Multicasting (STD 5)	1112
Compressing TCP/IP Headers for Low-Speed Serial Links	1144
<i>Structure and Identification of Management Information...(STD 17)</i>	1155
<i>A Simple Network Management Protocol (SNMP) (STD 15)</i>	1157
Line Printer Daemon Protocol	1179
New DNS RR Definitions	1183

**Table A-1 A Subset of RFCs Implemented by TCPware for OpenVMS (Continued)**

<b>Title</b>	<b>RFC #</b>
Path MTU Discovery	1191
Management Information Base for Network Management...	1213
Tunneling IPX Traffic through IP Networks	1234
BSD Rlogin	1282
The Finger User Information Protocol	1288
Network Time Protocol (Version 3) Specification, Implementation & Analysis	1305
TCP Extension for High Performance	1323
DNS NSAP RRs	1348
Type of Service in the Internet Protocol Suite	1349
The TFTP Protocol (Revision 2) (STD 33)	1350
Multiprotocol Interconnect on X.25 and ISDN in the Packet Mode	1356
TELNET Remote Flow Control Option	1372
Transmission of IP and ARP over FDDI Network (STD 36)	1390
IP Multicast over Token-Ring Local Area Networks	1469
Encoding Header Field for Internet Messages	1505
Applicability Statement for the Implementation of CIDR	1517
An Architecture for IP Address Allocation with DICR	1518
Classless Inter-Domain Routing (CIDR):...Strategy	1519
Dynamic Host Configuration Protocol	1541
Classical IP and ARP over ATM	1577
The Point-to-Point Protocol (PPP) (STD 51)	1661
<i>Assigned Numbers (STD 2)</i>	1700
<i>Post Office Protocol - Version 3 (STD 53)</i>	1939
Internet Message Access Protocol - Version 4rev1	2060
Dynamic Host Configuration Protocol	2131

**Table A-1 A Subset of RFCs Implemented by TCPware for OpenVMS (Continued)**

Title	RFC #
DHCP Options and BOOTPD Vendor Extensions	2132
Dynamic Updates in the Domain Name System (DNS Update)	2136
Secure Domain Name System Dynamic Update	2137
Agent Extensibility (AgentX) Protocol Version 1	2741
Definitions of Managed Objects for Extensible SNMP Agents	2742

## Internet, TCP/IP Protocol Suite, and Related Subjects

The following RFCs are also available on more general Internet, TCP/IP, and related subjects:

RFC 1118, *The Hitchhikers Guide to the Internet*

RFC 1359, *Connecting to the Internet: What Connecting Institutions Should Anticipate*

RFC 1392, *Internet Users' Glossary*

RFC 1432, *Recent Internet Books*

RFC 1462, *FYI on "What is the Internet?"*

RFC 1463, *FYI on Introducing the Internet—A Short Bibliography of Introductory Internetworking Readings for the Network Novice*

RFC 2151, *A Primer on Internet and TCP/IP Tools and Utilities*

The following books are particularly useful references:

Comer, Douglas E. [1995], *Internetworking with TCP/IP, Volume I: Principles, Protocols, and Architecture*, Third edition, Prentice-Hall.

Comer, Douglas E. & David L. Stevens [1994], *Internetworking with TCP/IP, Volume II: Design, Implementation, and Internals*, Second edition, Prentice-Hall.

Comer, Douglas E. & David L. Stevens [1996], *Internetworking with TCP/IP, Volume III: Client-Server Programming and Applications for the BSD Socket Version*, Second edition, Prentice-Hall.

Frey, Donnalyne, Rick Adams [1989], *A Directory of Electronic Mail, Addressing and Networks*, O'Reilly & Associates, Inc.

LaQuey, Tracy L. (editor) [1990], *The User's Directory of Computer Networks*, HP Press.

Perlman, Radia [1992], *Interconnections: Bridges and Routers*, Addison-Wesley.

Quarterman, John S. [1990], *The Matrix: Computer Networks and Conferencing Systems Worldwide*, HP Press.

Santifaller, Michael [1991], *TCP/IP and NFS: Internetworking in a UNIX Environment*, translated by Stephen S. Wilson, Addison-Wesley.

Stallings, William [1991], *Data and Computer Communications*, Third edition, MacMillan.

Stevens, W. Richard [1990], *UNIX Network Programming*, Prentice-Hall.

Tanenbaum, Andrew S. [1996], *Computer Networks*, Third edition, Prentice-Hall.

Tolhurst, William A. et al. [1994], *Using the Internet, Special Edition*, Que Corp.

Table A-2 lists documentation to which you can refer for details on specific topics.

**Table A-2 Additional Documentation**

For Details on...	See...
Process Software's home page on the World Wide Web	For information about Process Software, its products, and its services, enter the following Universal Resource Locator (URL) from your World Wide Web browser:  <a href="http://www.process.com/">http://www.process.com/</a>
VAX WAN	<i>VAX WAN Device Drivers Specifications</i> available from HP for details on the device drivers TCPware for OpenVMS supports (DSV11, DSB32, and DST32).
DECwindows	<i>VMS DECwindows User's Guide</i> and the <i>VMS DECwindows Motif User's Guide</i> available from HP.
Domain Name Services (DNS)	Albitz, Paul & Cricket Liu, <i>DNS and Bind</i> , O'Reilly Associates.
Dynamic Host Configuration Protocol (DHCP)	Droms, Ralph and Ted Lemon, <i>The DHCP Handbook: Understanding, Deploying, and Managing Automated Configuration Services</i> , 1999 Macmillan Technical Publishing, 201 West 103rd Street, Indianapolis, IN 46290 ISBN 1-57870-137-6
Ethernet	<i>Ethernet Data Link Layer and Physical Layer Specifications</i> available from HP or from your Ethernet controller's hardware documentation.
FDDI	<i>A Primer on FDDI: Fiber Distributed Data Interface</i> available from HP for details about the features, topologies, and components of the FDDI local area network standard.
Gateway Routing Daemon (GATED)	On the World Wide Web, use URL <a href="http://www.gated.org/">http://www.gated.org/</a>



**Table A-2 Additional Documentation (Continued)**

<b>For Details on...</b>	<b>See...</b>
HYPERchannel (HYPERchannel H269 driver hardware)	<i>H269 (Rel. 1.2) Network Adapter Driver for DEC VAX VMS Installation Manual and User's Guide</i> available from Network Systems Corporation, Minneapolis, MN.
ONC RPC	<i>Programmer's Guide</i> for details about TCPware's implementation of ONC RPC.
proNET (Proteon's token ring)	<i>Operation and Maintenance Manual for the proNET Local Network System</i> available from Proteon Inc., Westborough, MA
Remote magnetic tape service (rmt)	<i>Maintenance Commands</i> section of the <i>SunOS Reference Manual</i> available from Sun Microsystems.
Setting up print queues and initiating print commands on the OpenVMS host	HP's <i>Guide to Maintaining a VMS System</i> . OpenVMS users can also see the <i>VMS DCL Dictionary</i> , or the <i>DECprint Printing Services User's Guide</i> .
X.25	VAX P.S.I. documentation from Hewlett-Packard.

## Hewlett-Packard Documentation

For details on the OpenVMS operating systems, system services, and utilities, see the appropriate Hewlett-Packard documentation.



# Appendix B

## TCPware Logicals

Table B-1 lists the TCPware logicals in alphabetical order:

**Table B-1 TCPware Logicals**

### FTP\_STARTUP

Defines FTP\_STARTUP to point to the FTP\_STARTUP.COM file.

```
$ DEFINE /SYSTEM /EXECUTIVE FTP_STARTUP SYS$MANAGER:FTP_STARTUP.COM
```

Client users can override this startup file by creating their own. Including the command DEFINE /PROCESS FTP\_STARTUP in a user's LOGIN.COM file overrides any DEFINE /SYSTEM /EXEC command in the SYS\$MANAGER:SYSTARTUP\_V5.COM file.

### NETCU\_STARTUP

Defines NETCU\_STARTUP to point to the NETCUSTART.COM file.

For example, you can include the following in your LOGIN.COM file:

```
ASSIGN SYS$LOGIN:NETCUSTART.COM NETCU_STARTUP
```

When you start NETCU, NETCU\_STARTUP points to the specified file (SYS\$LOGIN:NETCUSTART.COM for example) and processes all the commands.

**Note!** The system ignores all commands following an EXIT or QUIT command in the file. NETCU ignores any "commented-out" command lines in files (such as SERVICES.COM) that are used as input to NETCU. The commented-out line in the file should begin with the !, the #, or the ; character. NETCU does not execute the command line until you remove the character.

### SSH\_DIR

Points to the directory where SSH's master server log file is kept. Normally, this is TCPWARE\_COMMON:[TCPWARE].

**Table B-1 TCPware Logicals (Continued)**

<p><b>SSH2_DIR</b></p> <p>Points to the directory where the SSH master server log file is kept. Normally, this is <code>TCPWARE_COMMON:[TCPWARE_SSH2]</code>.</p>
<p><b>SSH_EXE</b></p> <p>Points to the directory where SSH executables are kept. Normally, this is <code>TCPWARE_COMMON:[TCPWARE]</code>. It is defined through <code>@TCPWARE:CNFNET SSH</code>. The configuration procedure should write these to the common configuration file and check the values at start up and delete them at shutdown.</p>
<p><b>SSH_LOG</b></p> <p>Points to the directory where the log files are kept. Normally, this is <code>TCPWARE_COMMON:[TCPWARE.LOG]</code>. It is defined through <code>@TCPWARE:CNFNET SSH</code>. The configuration procedure writes these to the common configuration file and check the values at start up and delete them at shutdown.</p>
<p><b>SSH_MAX_SESSIONS</b></p> <p>This is set to the maximum number of concurrent SSH sessions allowed to the server system. If <code>SSH_MAX_SESSIONS</code> is not defined, the default is 9999. Setting <code>SSH_MAX_SESSIONS</code> to zero (0) will cause an error. The value must be between 1 and 9999. It is defined through <code>@TCPWARE:CNFNET SSH</code>. The configuration procedure should write these to the common configuration file and check the values at start up and delete them at shutdown.</p>
<p><b>TCPWARE_SSH_SFTP_SERVER_DEBUG</b></p> <p>Enables debugging messages for the SFTP-SERVER2 image that provides service to SCP2 commands that use the SFTP protocol. When this is defined, the file <code>SFTP-SERVER.LOG</code> is created in the user's login directory. These files are not purged. Larger values yield more debugging information.</p>
<p><b>TCPWARE_SSH_SCP_SERVER_DEBUG</b></p> <p>Enables debugging messages for the SCP-SERVER1 image that provides service to SCP2 commands that use the RCP over SSH2 protocol. When this is defined, the file <code>SCP-SERVER.LOG</code> is created in the user's login directory. These files are not purged. Larger values yield more debugging information.</p>
<p><b>SSH_TERM_MBX</b></p> <p>Mailbox used by <code>SSHD_MASTER</code> to receive termination messages from <code>SSHD</code> daemon processes. <b>Do not change this logical name.</b> This is created by the <code>SSHD_MASTER</code> process.</p>
<p><b>TCPWARE_ACECLIENT_CL</b></p> <p>Points to the shareable image activated by <code>LOGINOUT</code> when login is performed.</p>

**Table B-1 TCPware Logicals (Continued)**

<b>TCPWARE_ACECLIENT_DATA_DIRECTORY</b>
Points to the directory that contains ACE/Client data files. Set by the Enter directory where the TCPware ACE/Client data file resides: prompt in CNFNET.
<b>TCPWARE_ACECLIENT_ENABLE</b>
Indicates that authentication by the TCPware ACE/Client is enabled when set to 1. Set by the Do you want to use the TCPware ACE/CLIENT to authenticate user login?: prompt in CNFNET.
<b>TCPWARE_ACECLIENT_NETWORK</b>
Indicates that authentication is performed on logins over network terminals when set to 1. For example, _NT physical devices created if using TELNET. Set by the Do you want to authenticate user network logins? prompt in CNFNET.
<b>TCPWARE_ACECLIENT_PASSCODE_TIME</b>
Defines the number of seconds allowed for the user to input the PASSCODE. Set by the Enter the PASSCODE input timeout time: prompt in CNFNET.
<b>TCPWARE_ACECLIENT_REMO</b>
Indicates that authentication is performed on logins over remote terminals when set to 1. For example, _RT physical devices are created if using SET HOST. Set by the Do you want to authenticate user remote logins?: prompt in CNFNET.
<b>TCPWARE_ACECLIENT_SHR</b>
Points to the ACE/Client API.
<b>TCPWARE_DOMAINLIST</b>
Allows you to set up to six domains in a search list, as well as the minimum number of dots to recognize in a host name to make it fully qualified. The client reads this information from this logical through CNFNET.
<b>TCPWARE_DOMAINNAME</b>
Specifies the internet addresses of up to three name servers the client can query. The client reads this information from this logical through CNFNET.

**Table B-1 TCPware Logicals (Continued)****TCPWARE\_FTP\_220\_REPLY**

Defines a message displayed when a user connects to the server and can log in. This message replaces the default message.

For example, you can define the welcome text equivalence string as follows:

```
$ DEFINE /SYSTEM /EXECUTIVE TCPWARE_FTP_220_REPLY -
_$ "***AUTHORIZED USE ONLY **", -
_$ "bart.nene.com (192.168.34.56)", -
_$ "FTP-OpenVMS FTPD V5.9 (c) 2007 Process Software"
```

Alternately, you can include the last three equivalence strings in an FTP\_WELCOME.TXT file and define the logical as follows:

```
$ DEFINE /SYSTEM /EXECUTIVE TCPWARE_FTP_220_REPLY -
_$ "@SYS$MANAGER:FTP_WELCOME.TXT"
```

In either case, when a user connects to a host, the message appears as follows:

```
220-** AUTHORIZED USE ONLY **
220-bart.nene.com (192.168.34.56)
220 FTP-OpenVMS FTPD V5.9 (c) 2007 Process Software
_Username []:
```

**TCPWARE\_FTP\_221\_REPLY**

Defines a message to appear when a user ends the FTP session. If not defined, TCPware uses the default message. You can define a text string or file.

```
$ DEFINE /SYSTEM /EXECUTIVE TCPWARE_FTP_221_REPLY -
_$ "Connection to FTP server has been closed"
```

Now, when the user closes the FTP connection, the following message appears:

```
221 Connection to FTP server has been closed
```

**TCPWARE\_FTP\_230\_REPLY**

Defines a message to appear when a user successfully logs in. If not defined, TCPware uses the default message. You can define a text string or file. For example:

```
$ DEFINE /SYSTEM /EXECUTIVE TCPWARE_FTP_230_REPLY "Login successful"
```

Now, when the user logs in using FTP, the following message appears:

```
230 Login successful
```

**Table B-1 TCPware Logicals (Continued)****TCPWARE\_FTP\_421\_REPLY**

Defines a message sent when a user connects to the server but should not log in. After sending the message, the connection closes. For example, you can define this logical to prevent FTP access for a short time period. Be sure to deassign the logical after this period to allow FTP access again. You can define a text string or file.

```
$ DEFINE /SYSTEM /EXECUTIVE TCPWARE_FTP_421_REPLY-
_$ "System maintenance in progress until 17:30"
```

Now, when the user connects to the host through FTP, the following message appears and then the connection closes:

```
421 System maintenance in progress until 17:30
```

TCPWARE\_FTP\_421\_REPLY has precedence over TCPWARE\_FTP\_220\_REPLY.

**TCPWARE\_FTP\_ACCESS****TCPWARE\_FTP\_<username>\_ACCESS**

These SYSTEM logical names are used to specify the types of access that the user of the FTP server is not allowed to perform. TCPWARE\_FTP\_ACCESS controls all users that do not have TCPWARE\_FTP\_<username>\_ACCESS defined. The values are:

- D - Delete
- L - List (Directory)
- R - Read
- S - Spawn
- W - Write

```
$ DEFINE/SYSTEM/EXECUTIVE TCPWARE_FTP_ANONYMOUS_ACCESS WDS
```

Will prevent the user ANONYMOUS from storing files on the system, deleting files that are present on the system or using the site specific spawn command.

**TCPWARE\_FTP\_ADD\_CC\_ON\_FIXED\_RECORD\_FILES**

When the logical TCPWARE\_FTP\_ADD\_CC\_ON\_FIXED\_RECORD\_FILES is defined to TRUE and a file is transferred as TYPE IMAGE with QUOTE SITE RMS BLOCK OFF in effect, the FTP server will separate the records of a fixed length record file with the linefeed character. This is useful for avoiding the explicit conversion necessary when transferring the file to a non-VMS system with an FTP client that is not able to do record mode transfers.

**TCPWARE\_FTP\_ALL\_VERSIONS**

Requests the NLST and LIST commands to display all versions of the specified files. If TCPWARE\_FTP\_ALL\_VERSIONS is defined, TCPWARE\_FTP\_STRIP\_VERSION has no effect.

TCPWARE\_FTP\_ALL\_VERSIONS is ignored if the FTP server is in UNIX emulation mode.

**Table B-1 TCPware Logicals (Continued)****TCPWARE\_FTP\_ALLOWCAPTIVE**

By default, the FTP server does not allow file transfers for CAPTIVE accounts. Defining this logical allows CAPTIVE accounts to use all FTP commands except SITE SPAWN.

```
$ DEFINE /SYSTEM /EXECUTIVE TCPWARE_FTP_ALLOWCAPTIVE " "
```

You must modify the CAPTIVE account procedure to allow the FTP server to start the data transfer process. The procedure can check if the logical "TT" is equal to "TCPWARE:FTPSERVER\_DTP.COM" and exit out of the login procedure:

```
#! Check if this is the TCPware FTP data transfer process:
$ IF F$LOGICAL("TT") .EQS. "TCPWARE:FTPSERVER_DTP.COM" THEN EXIT
#! Refuse other network connections (such as DECnet):
$ IF F$MODE() .EQS. "NETWORK" THEN LOGOUT
#! (or allow by using "...THEN EXIT" above)
#! Remainder of CAPTIVE procedure follows:
$....
```

**TCPWARE\_FTP\_ANONYMOUS\_230\_REPLY**

Defines a message to appear when an ANONYMOUS user successfully logs in. If not defined, TCPware uses the default message. You can define a text string or file.

```
$ DEFINE/SYSTEM/EXECUTIVE TCPWARE_FTP_ANONYMOUS_230_REPLY-
_$ "ANONYMOUS login successful"
```

Now, when a user logs in using the ANONYMOUS account, the following message appears:

```
230 ANONYMOUS login successful
```

**TCPWARE\_FTP\_ANONYMOUS\_RIGHTS**

Defines write, rename, and delete access rights for the ANONYMOUS FTP user in addition to read access.

```
$ DEFINE/SYS/EXEC/NOLOG TCPWARE_FTP_ANONYMOUS_RIGHTS "WRITE,RENAME,DELETE"
```

**TCPWARE\_FTP\_ANONYMOUS\_ROOT**

Defines access restrictions for users logged in as ANONYMOUS. For example, you can set access restrictions for users logged in as ANONYMOUS to allow access to just the ANONYMOUS\$USER directory and its subdirectories:

```
$ DEFINE /SYSTEM /EXECUTIVE TCPWARE_FTP_ANONYMOUS_ROOT ANONYMOUS$USER:
```

If not set, the FTP server defaults to the setting in TCPWARE\_FTP\_ROOT if it exists.



**Table B-1 TCPware Logicals (Continued)****TCPWARE\_FTP\_DISALLOW\_UNIX\_STYLE**

Controls whether UNIX style filename parsing is done. If not defined, it defaults to TRUE (UNIX-style file specifications are not allowed). Defining to FALSE allows file specifications with the "/" character in them to be treated as UNIX file specification.

```
$ DEFINE /SYSTEM/ NOLOG /EXECUTIVE TCPWARE_FTP_DISALLOW_UNIX_STYLE ?
```

**TCPWARE\_FTP\_DONT\_REPORT\_FILESIZE**

If this logical is defined, the reporting of the estimate of the number of bytes to be transferred in the 150 response line is suppressed. Some FTP clients expect this number to be exact. The FTP server is unable to determine an exact count without processing the entire file, so an estimate of the number of bytes used to store the file is returned. The inaccuracy comes from the differences in the way OpenVMS records and line breaks are handled. The ? in the logical represents where defined values go.

```
$ DEFINE/SYSTEM/EXEC TCPWARE_FTP_DONT_REPORT_FILESIZE ?
```

**TCPWARE\_FTP\_EXTENSION\_QUANTITY**

Defines the default allocation/extension quantity for new files and appends. The ? in the logical represents where defined values go. Defined values must be numeric.

```
$ DEFINE /SYSTEM/ NOLOG /EXECUTIVE TCPWARE_FTP_EXTENSION_QUANTITY ?
```

**TCPWARE\_FTP\_GETHOST\_MAX\_TIME**

When a new connection arrives at the FTP server it attempts to resolve the name of the host that originated the connection. If this process takes a long time, it can stall all other connections, both active and new. To adjust how long the FTP server is allowed to take to look up the host name, set the logical TCPWARE\_FTP\_GETHOST\_MAX\_TIME to the VMS delta time that can elapse before it gives up. The default value 10 seconds (0 0:0:10).

**TCPWARE\_FTP\_IDLE\_TIMEOUT**

Changes the timeout for FTP connection attempts to something other than the default of 10 minutes. The FTP server checks the timeout when you enter and complete a command. You can set this logical any time, and it effectively changes the idle timeout for open, non-idling connections as well as for any future ones. Make sure to use delta time for the time syntax.

```
$ DEFINE /SYSTEM /EXECUTIVE TCPWARE_FTP_IDLE_TIMEOUT "0 00:20:00"
```

This example changes the idle timeout to 20 minutes. The default is 10 minutes if no time is specified. Setting the value to 0 disables idle timeout.

**Table B-1 TCPware Logicals (Continued)****TCPWARE\_FTP\_KEEP\_DIR\_EXT**

Sometimes the FTP server strips the .DIR extension from the file name of a directory when the NLST function is requested. The FTP server looks for TCPWARE\_FTPD\_KEEP\_DIR\_EXT and, if defined, does not remove the .DIR extension.

```
$ DEFINE /SYSTEM /EXECUTIVE TCPWARE_FTPD_KEEP_DIR_EXT TRUE
```

To return to the default behavior, remove this logical.

**TCPWARE\_FTP\_NOKEEPALIVES**

When TCPWARE\_FTP\_NOKEEPALIVES is defined, the FTP server will not send keepalives on the control channel. The KEEPALIVE command allows the FTP client program to toggle, regardless of whether or not it desires keepalives to be sent on the control channel. The SET [NO]KEEPALIVE command allows the FTP client to explicitly set whether or not it desires keepalives on the control channel

**TCPWARE\_FTP\_LOGFILE**

Defines a specific name of a log file. Use this if you suspect break-ins to the FTP server.

```
$ DEFINE /SYSTEM /EXEC TCPWARE_FTP_LOGFILE SYS$COMMON:[SYSMGR]FTPLOGIN.LOG
```

This logical must be defined before TCPware FTP is started (or FTP must be restarted after defining it in order for it to take effect).

If this logical exists, the FTP server writes a record to the specified file each time a user attempts to log in. Each record includes the date and time, the remote host's internet address, and whether the login succeeded.

Specifies the name of the file to which ALL commands and responses to ANONYMOUS FTP services are logged. If TCPWARE\_FTP\_LOG\_ALL\_USERS is also defined, then commands and responses for all users are logged.

**TCPWARE\_FTP\_LOG\_ALL\_USERS**

This logical causes all commands and responses to be logged to the file defined by TCPWARE\_FTP\_LOGFILE. The default (when this logical is not defined) is to just log the commands and responses for anonymous users.

```
$ DEFINE TCPWARE_FTP_LOG_ALL_USERS
```

**TCPWARE\_FTP\_MAX\_SERVERS**

Allows the maximum number of servers to be set. The default is 10000.

```
$ DEFINE /SYSTEM /EXECUTIVE TCPWARE_FTP_MAX_SERVERS "1500"
```

**Table B-1 TCPware Logicals (Continued)**

<p><b>TCPWARE_FTP_MAXREC</b></p> <p>The FTP client and the FTP server check the record size of an ASCII transfer and disallow more than 8192 byte records. Define this logical to override the default of 8192. The definition of this logical is commented out but defined in the FTP_CONTROL.COM file as follows:</p> <pre>\$ !DEFINE /SYSTEM /NOLOG /EXECUTIVE TCPWARE_FTP_MAXREC 8192</pre>
<p><b>TCPWARE_FTP_MESSAGE_FILE</b></p> <p>Defines the message file the FTP user sees when connecting to the server or moving between directories. The definition of this logical is commented out but defined in the FTP_CONTROL.COM file as follows:</p> <pre>\$ !DEFINE /SYSTEM /NOLOG /EXECUTIVE TCPWARE_FTP_MESSAGE_FILE ".MESSAGE"</pre>
<p><b>TCPWARE_FTP_ONLY_BREAK_ON_CRLF</b></p> <p>If this logical is set and an ASCII file is transferred, a new line is created in the file upon receipt of a carriage return/line feed sequence.</p> <p>If this logical is not set and an ASCII file is transferred, a new line is created upon receipt of either a carriage return/line feed sequence or a line feed.</p>
<p><b>TCPWARE_FTP_PASSWORD_WARNING_MESSAGE</b></p> <p>The logical TCPWARE_FTP_PASSWORD_WARNING_MESSAGE defines the message that the FTP server displays when the user's password is going to expire within the warning time. If the amount of time before the password expires is to be displayed, use a %s in the logical.</p> <pre>\$ DEFINE/SYSTEM/EXEC TCPWARE_FTP_PASSWORD_WARNING_MESSAGE "%s" \$ DEFINE/SYSTEM/EXEC TCPWARE_FTP_PASSWORD_WARNING_MESSAGE "message text string"</pre>
<p><b>TCPWARE_FTP_PASSWORD_WARNING_TIME</b></p> <p>The logical TCPWARE_FTP_PASSWORD_WARNING_TIME uses the VMS delta time to specify the minimum remaining lifetime for the user's password. If the remaining lifetime is greater than the VMS delta time then no message is displayed. It is necessary to define this value to enable checking for the remaining lifetime of a password.</p> <pre>\$ DEFINE/SYSTEM/EXEC @TCPWARE_FTP_PASSWORD_WARNING_TIME "dddd hh:mm:ss.hh"</pre>
<p><b>TCPWARE_FTP_RECEIVE_THRESHOLD</b></p> <p>Specifies the amount of buffer space that can be used to buffer transmitted data on the data socket. The default value is 6144. If this logical is defined and it begins with a /, then it specifies the fraction of the window size; if only a fraction is specified, then it indicates the number of bytes to be used. The ? in the logical represents where defined values go. Defined values can be either alpha or numeric.</p> <pre>\$ DEFINE TCPWARE_FTP_RECEIVE_THRESHOLD ?</pre>

**Table B-1 TCPware Logicals (Continued)****TCPWARE\_FTP\_RECODE\_NONVMS\_FILE\_NAMES**

If this logical is defined, and the FTP server is not operating in UNIX mode, it recodes filenames that are not legal OpenVMS file names in the same manner that it would normally recode filenames when operating in UNIX mode. This is useful for handling filenames with multiple dots (.), spaces, and other characters that VMS does not allow in filenames while retaining the OpenVMS directory syntax.

```
$ DEFINE TCPWARE_FTP_RECODE_NONVMS_FILE_NAMES filename
```

**TCPWARE\_FTP\_ROOT**

Defines the system-wide default directory access restrictions for client users. For example, you can restrict all users logged in via FTP to the COMMON\$USER directory and its subdirectories:

```
$ DEFINE /SYSTEM /EXECUTIVE TCPWARE_FTP_ROOT COMMON$USER:
```

The default directory is not set to the value of this logical or to the value of TCPWARE\_FTP\_<username>\_ROOT.

**TCPWARE\_FTP\_username\_ROOT**

The TCPWARE\_FTP\_username\_ROOT (system level, executive mode) logical defines access restrictions for an FTP client logging in as *username*. For example, you can restrict user CLARK to the COMMON\$USER:[CLARK] directory and its subdirectories, as follows:

```
$ DEFINE/SYSTEM/EXEC TCPWARE_FTP_CLARK_ROOT COMMON$USER: [CLARK]
```

Because the FTP server restricts access by default to the directory setting in the TCPWARE\_FTP\_ROOT logical (described earlier), if it exists, you may want to use the special wildcard (\*) setting with the TCPWARE\_FTP\_username\_ROOT logical to bypass the default for *username*. For example, to restrict the bulk of users to DISK\$SYS\_LOGIN, restrict users KATE and PAUL to ENG\$DISK, but allow SYSTEM full access to locations covered by its account, define the following logicals:

```
$ DEFINE/SYSTEM/EXEC TCPWARE_FTP_ROOT DISK$SYS_LOGIN ! default
$ DEFINE/SYSTEM/EXEC TCPWARE_FTP_KATE_ROOT ENG$DISK ! limits KATE
$ DEFINE/SYSTEM/EXEC TCPWARE_FTP_PAUL_ROOT ENG$DISK ! limits PAUL
$ DEFINE/SYSTEM/EXEC TCPWARE_FTP_SYSTEM_ROOT * ! full SYSTEM
```

ANONYMOUS user access restrictions are described under TCPWARE\_FTP\_ANONYMOUS\_ROOT.

The user is not placed automatically in this directory upon successful login.

**Table B-1 TCPware Logicals (Continued)****TCPWARE\_FTP\_SEMANTICS\_FIXED\_IGNORE\_CC**

If this logical is defined to TRUE, then GET operations of fixed lengths record files will not have a carriage return/line feed added to the end of each record. The ? in the logical represents where defined values go. Defined values can be either alpha or numeric.

```
$ DEFINE TCPWARE_FTP_SEMANTICS_FIXED_IGNORE_CC ?
```

**TCPWARE\_FTP\_SEMANTICS\_VARIABLE\_IGNORE\_CC**

When this logical is defined to TRUE, files with variable length records and carriage return carriage control will NOT have a new line character inserted after each line when the file is transferred in image (binary) mode. The default is TRUE and is defined in FTPSERVER\_DTP.COM.

```
$ DEFINE TCPWARE_FTP_SEMANTICS_VARIABLE_IGNORE_CC FALSE
```

Users can change this value by defining it in their LOGIN.COM file, or it can be defined on a system-wide basis if this is desired for all users.

**TCPWARE\_FTP\_SERVER\_DATA\_PORT\_RANGE**

Specifies the upper and lower port boundaries that are to be used in passive data connections. The string should contain two numbers separated by a space. The ? in the logical represents where defined values go.

```
$ DEFINE TCPWARE_FTP_SERVER_DATA_PORT_RANGE ?
```

**TCPWARE\_FTP\_SERVER\_LOG\_LIMIT**

By setting this logical in the LOGIN.COM file, you can specify that log files be retained. Set the logical name to a dash (-) to retain all log files, or specify a number in the range of 1 to 32000.

Directory size restrictions limit the number of potential files that can be created. If you do not specify a number or value, one log file is created or overwritten for each FTP session. Use the DCL PURGE command to delete unneeded log files. The following example specifies that 42 log files be retained:

```
$ DEFINE TCPWARE_FTP_SERVER_LOG_LIMIT 42
```

**TCPWARE\_FTP\_SERVER\_RELAXED\_PORT\_COMMAND**

The server compares the IP network address value specified in the PORT command with the IP network address of the IP address it is receiving commands from. If these are not in agreement, the PORT command is not accepted. Some multi-homed clients, and clients that can do third party transfers, send values that do not match. Defining this logical allows the PORT command to be accepted for these clients by disabling this check. The ? in the logical represents where defined values go. Defined values can be either alpha or numeric.

```
$ DEFINE TCPWARE_FTP_SERVER_RELAXED_PORT_COMMAND ?
```

**Table B-1 TCPware Logicals (Continued)**

<p><b>TCPWARE_FTP_STRIP_VERSION</b></p> <p>Causes VMS mode output to have no versions. The ? in the logical represents where defined values go. Defined values can be either alpha or numeric.</p> <pre>\$ DEFINE /SYSTEM /NOLOG /EXECUTIVE TCPWARE_FTP_STRIP_VERSION ?</pre>
<p><b>TCPWARE_FTP_SYST_BANNER</b></p> <p>When this logical is defined the SYSTem banner is not displayed in response to the STATUS command. When this logical is not defined the format of the banner varies depending upon whether the FTP_SERVER is operating in UNIX mode or VMS mode.</p> <pre>\$ DEFINE /SYSTEM /NOLOG /EXECUTIVE TCPWARE_FTP_SYST_BANNER</pre>
<p><b>TCPWARE_FTP_UNIX_STYLE_BY_DEFAULT</b></p> <p>Starts the FTP server in UNIX emulation mode. The ? in the logical represents where defined values go. Defined values can be either alpha or numeric.</p> <pre>\$ DEFINE /SYSTEM /NOLOG /EXECUTIVE TCPWARE_FTP_UNIX_STYLE_BY_DEFAULT ?</pre> <p>When sending the command from a non-OpenVMS client, a space is required between the file specification and the qualifier.</p> <pre>\$ GET filename /LOG</pre> <p>To disable this requirement:</p> <pre>\$ DEFINE /SYSTEM /EXECUTIVE_MODE TCPWARE_FTPD_NOUNIX_SYNTAX "TRUE"</pre> <p>This logical has no effect if TCPWARE_FTP_DISALLOW_UNIX_STYLE is not set to FALSE.</p>
<p><b>TCPWARE_FTP_UNIX_STYLE_CASE_INSENSITIVE</b></p> <p>Allows UNIX style filename handling to be case insensitive. The ? in the logical represents where defined values go. Defined values can be either alpha or numeric.</p> <pre>\$ DEFINE /SYSTEM /NOLOG /EXEC TCPWARE_FTP_UNIX_STYLE_CASE_INSENSITIVE ?</pre>
<p><b>TCPWARE_FTP_USE_SRI_ENCODING_ON_ODS5</b></p> <p>This logical can be defined to 1, TRUE or YES to cause the filename encoding used for UNIX-style filenames on ODS-2 disks to be used on ODS-5 disks. This also sets the default case of letters in filenames to lowercase and ignores the stored case.</p>

**Table B-1 TCPware Logicals (Continued)**

<p><b>TCPWARE_FTP_WINDOW</b></p> <p>The FTP client and the FTP server set the TCP window size of the data connection to either:</p> <ul style="list-style-type: none"> <li>• The value of this logical if you define it (minimum is 512 bytes; maximum is 1,048,576 bytes)</li> <li>• The larger of 32,768 bytes and the default TCP window size</li> </ul> <p>The ? in the logical represents where defined values go. Defined value should be numeric.</p> <pre>\$ DEFINE /SYSTEM /NOLOG /EXECUTIVE TCPWARE_FTP_WINDOW ?</pre>
<p><b>TCPWARE_KERBV4_MAXAGE</b></p> <p>Sets the maximum age of the Kerberos database.</p>
<p><b>TCPWARE_KERBV4_PRIMARY</b></p> <p>Sets the primary Kerberos server name.</p>
<p><b>TCPWARE_KERBV4_REALM</b></p> <p>Sets the realm name of the Kerberos server.</p>
<p><b>TCPWARE_KERBV4_RLOGIN</b></p> <p>Determines if the RLOGIN server mandates, accepts, or disallows any Kerberos request.</p>
<p><b>TCPWARE_KERBV4_RSHELL</b></p> <p>Determines if the RSH server mandates, accepts, or disallows any Kerberos request.</p>
<p><b>TCPWARE_KERBV4_SRVTYPE</b></p> <p>Sets the type of server (primary or applications only).</p>
<p><b>TCPWARE_KERBV4_TELNET</b></p> <p>Determines if the TELNET server mandates, accepts, or disallows any Kerberos request.</p>
<p><b>TCPWARE_KERBV4_TKFILE</b></p> <p>Sets the location of the user's ticket file.</p>
<p><b>TCPWARE_LPD_DEFAULT_USER</b></p> <p>Defines a default OpenVMS username for remote users connecting to the local LPD server. Used only when you define a remote host in the LPD access file and the remote username is not mapped to a specific OpenVMS username.</p>
<p><b>TCPWARE_LPD_OPTIONS</b></p> <p>Determines if the server handles batch queues.</p>

**Table B-1 TCPware Logicals (Continued)**

<p><b>TCPWARE_LPD_qlname_*_FORM</b></p> <p>Defines the form used for print jobs. This is similar to TCPWARE_LPD_qlname_PARAMETER.</p> <p>Use TCPWARE_LPD_*_FORM to define the form for all queues.</p> <p><b>Note!</b> A specific queue setting overrides the global setting for that queue.</p>
<p><b>TCPWARE_LPD_qlname_OPTION</b></p> <p>Specifies additional PRINT command qualifiers to pass to the specified print queue:</p> <p>/BURST, /FEED, /FLAG, /FORM, /HEADER, /LOWERCASE, /PASSALL, /PRIORITY, /RESTART, /SPACE, /TRAILER</p> <p>Use TCPWARE_LPD_*_OPTION to define the option for all queues.</p> <p><b>Note!</b> A specific queue setting overrides the global setting for that queue.</p>
<p><b>TCPWARE_LPD_qlname_*_PARAMETER</b></p> <p>Defines the specified parameters when the remote user submits a print request to the OpenVMS print system (<i>qlname</i> is the queue name).</p> <p>The first equivalence string for the logical (if defined) is the first parameter; the second is the second parameter; and so on, up to eight parameters.</p> <p>Use TCPWARE_LPD_*_PARAMETER to define the parameter for all queues.</p> <p><b>Note!</b> A specific queue setting overrides the global setting for that queue.</p>
<p><b>TCPWARE_LPD_qlname_*_QUEUE</b></p> <p>Defines the print queues for an alias queue name (<i>qlname</i>). Supports clients that may not allow standard OpenVMS queue names as the remote printer (such as IBM's AIX, which restricts remote printer names to seven characters).</p>
<p><b>TCPWARE_LPD_SPOOL</b></p> <p>Points to the work directory for the LPD server. This directory holds temporary files.</p>
<p><b>TCPWARE_LPR_PRINTER</b></p> <p>Defines the default remote printer for the LPR, LPRM, and LPQ commands. Define your own TCPWARE_LPR_PRINTER logical in a LOGIN.COM file.</p>
<p><b>TCPWARE_LPR_qlname_PRINTER</b>  <b>TCPWARE_LPR_qlname_PRINTER_DEFAULT</b></p> <p>Defines the absolute printer for the PRINT command. You cannot override this logical when submitting a print job. Use to restrict printing to one printer per queue.</p>



**Table B-1 TCPware Logicals (Continued)**

<p><b>TCPWARE_LPR_QUEUES</b></p> <p>Lists the names of all TCPware print symbiont queues. Defined only if you defined one or more print queues.</p>
<p><b>TCPWARE_LPR_SPOOL</b></p> <p>Points to the work directory for the PRINT command. This directory holds temporary files.</p>
<p><b>TCPWARE_LPRSM</b></p> <p>The TCPWARE_LPRSMB print symbiont provides similar retry interval and timeout tuning logicals as those for TCPWARE_VMSLPRSMB. The TCPWARE_LPRSMB logicals are:</p> <ul style="list-style-type: none"> <li>• TCPWARE_LPRSMB_*_RETRY_INTERVAL</li> <li>• TCPWARE_LPRSMB_<i>qname</i>_RETRY_INTERVAL</li> <li>• TCPWARE_LPRSMB_*_TIMEOUT</li> <li>• TCPWARE_LPRSMB_<i>qname</i>_TIMEOUT</li> <li>• TCPWARE_LPRSM_<i>qname</i>_PRECONN</li> </ul>
<p><b>TCPWARE_NAMED_MAX_CACHE_TTL</b></p> <p>NAMED checks the SYSTEM EXECUTIVE logical table for this logical value and sets the maximum cache time (in seconds) to be that value. Use this logical to override the default one week (604800 seconds) to a maximum cache time more appropriate for your system.</p> <pre>\$ DEFINE /SYSTEM /EXECUTIVE TCPWARE_NAMED_MAX_CACHE_TTL 86400</pre> <p>The server reads this logical the next time it starts. If you do not want to wait for the server to start, you can make the change to the running server by using the NETCU SET NAMED MAX_TTL command. Any data now written to the cache remains there for 86400 seconds (one day).</p>
<p><b>TCPWARE_NAMESERVERS</b></p> <p>When an application needs to resolve a host name or internet address, the client queries the first name server this logical defines. The client continues to query the other name servers on its list until it receives an answer or the list is exhausted.</p>
<p><b>TCPWARE_NFS_ACCESS_IDENTIFIER</b></p> <p>Specifies the name of a rights identifier you want assigned to all NFS users. You can then modify the access control lists (ACLs) of files to grant or deny access to holders of the rights identifier. The default is null (no rights identifier).</p> <p>OpenVMS files protected by ACLs should have the UIC-based protection mask set to allow file access and the ACL set to deny access.</p>

**Table B-1 TCPware Logicals (Continued)****TCPWARE\_NFS\_DFLT\_GID****TCPWARE\_NFS\_DFLT\_UID**

Specifies the default UID and GID. The server uses these defaults in the following cases:

- Receives a request from a user without a PROXY mapping and who is also the superuser (UID=0, and any GID). The server replaces the superuser UID and GID with the default UID and GID.
- Processes a `get attributes` request and cannot find a file's owner UIC in the PROXY database. The server uses the default UID and GID instead.

**TCPWARE\_NFS\_DIRLIFE\_TIMER**

Sets when to delete internal directory cache data structures. Specify the interval as OpenVMS delta time. The default is 3 minutes.

**TCPWARE\_NFS\_DIRREAD\_LIMIT**

Sets the maximum size in bytes for each file read while processing a `get attributes` request. If the estimated file size exceeds this value, TCPware does not read the file to determine its exact size and returns an estimated size instead. The estimated file size is always larger than the exact size. The -1 default turns off file size estimation.

This parameter applies only to filesystems exported with the `/CONVERT` option (the default). A value of 0 disables TCPware from determining exact file sizes on requests.

This parameter may provide the NFS Client with inexact file sizes. This is not a problem, but may affect some applications.

**TCPWARE\_NFS\_DIRTIME\_TIMER**

Sets a time interval that determines when the server updates the directory access time between NFS operations. Specify the interval as an OpenVMS delta time. The default is 30 seconds.

**TCPWARE\_NFS\_DYNAMIC\_EXPORT**

Reloads updates to the shared database on the cluster automatically when you set this logical to CLUSTER:

```
$ DEFINE /SYSTEM /EXECUTIVE TCPWARE_NFS_DYNAMIC_EXPORT CLUSTER
```

The server uses locks to communicate changes to all the servers on the cluster. The default is LOCAL (not to use locks).

**Table B-1 TCPware Logicals (Continued)**

<p><b>TCPWARE_NFS_DYNAMIC_PROXY</b></p> <p>Enables dynamic PROXY database reloading.</p> <pre>\$ DEFINE /SYSTEM /EXECUTIVE TCPWARE_NFS_DYNAMIC_PROXY keyword[,keyword]</pre> <p>The <i>keywords</i> are</p> <ul style="list-style-type: none"> <li>• CLIENT -- enables Client reloading</li> <li>• SERVER -- enables Server reloading</li> <li>• NOCLIENT and NOSERVER -- when used with the ADD PROXY or REMOVE PROXY commands overrides the logical setting</li> </ul>
<p><b>TCPWARE_NFS_FILE_CACHE_SIZE</b></p> <p>Determines the maximum number of files allowed to have attributes in cache at any one time. The number must be larger than the SYSGEN parameter CHANNELCNT. The value must also be larger than the number of combined TCP and UDP threads.</p>
<p><b>TCPWARE_NFS_LOG_CLASS</b></p> <p>Enables the type of information written to the log file TCPWARE:NFSSERVER.LOG. This parameter is a bit mask value (in decimal).</p>
<p><b>TCPWARE_NFS_NOCHECKSUM</b></p> <p>Enables or disables checksum generation for UDP datagrams. This parameter is a boolean value. When the value is 0 (false), the server generates checksums for outgoing datagrams. When the value is 1 (true), the server does not generate checksums. Enabling checksums maintains data integrity, and is the default.</p> <p><b>Note!</b> Disabling checksums may increase system performance but could have an adverse affect on certain NFS clients.</p>
<p><b>TCPWARE_NFS_OPENFILE_TIMER</b></p> <p>Sets a time interval (in delta time) a file remains open after you last accessed it. You do not need to open and close it for each request. The default is six seconds.</p>
<p><b>TCPWARE_NFS_PCNFSD_DFLTPRTOPT</b></p> <p>Specifies the default print options when submitting a spooled print job for printing. The logical for NFS_PCNFSD_DFLTPRTOPT is TCPWARE_PCNFSD_DFLTPRTOPT.</p>
<p><b>TCPWARE_NFS_PCNFSD_ENABLE</b></p> <p>Enables (value of 1) or disables (value of 0) the PCNFSD services support. A value of 3 enables print spooling of files on the server without enabling PCNFSD authentication. The logical for NFS_PCNFSD_ENABLE is TCPWARE_PCNFSD_ENABLE.</p>

**Table B-1 TCPware Logicals (Continued)****TCPWARE\_NFS\_PCNFSD\_JOB\_LIMIT**

Specifies the maximum packet size of the information displaying the queued print jobs. Some systems require this limitation.

**Note!** If the actual queued job information exceeds the byte limit set by this parameter, TCPware truncates the information.

The logical name for NFS\_PCNFSD\_JOB\_LIMIT is TCPWARE\_PCNFSD\_JOB\_LIMIT. If this logical is not defined, TCPware determines the size of the packet at run-time.

**TCPWARE\_NFS\_PCNFSD\_PRINTER**

Specifies the print queue you want used if the NFS client does not specify a printer. This is an optional parameter and the default is SYS\$PRINT when the client does not specify a printer (most clients specify the printer). The logical for NFS\_PCNFSD\_PRINTER is TCPWARE\_PCNFSD\_PRINTER.

**TCPWARE\_NFS\_PCNFSD\_PRINTER\_LIMIT**

Specifies the maximum packet size of the information displaying the printers known on the server. Some systems require this limitation.

**Note!** If the actual printer information exceeds the byte limit set by this parameter, TCPware truncates the information.

The logical for NFS\_PCNFSD\_PRINTER\_LIMIT is TCPWARE\_PCNFSD\_PRINTER\_LIMIT. If this logical is not defined, TCPware determines the size of the packet at run-time.

**TCPWARE\_NFS\_PCNFSD\_SPOOL**

Specifies the name of the PCNFSD print spool directory as a UNIX style pathname. The directory must be an exported directory. This is, the directory must be an entry in the EXPORT database, or a subdirectory of an exported directory. The logical for NFS\_PCNFSD\_SPOOL is TCPWARE\_PCNFSD\_SPOOL.

Because you export different OpenVMS directories to different clients with the same path, it is possible for the NFS\_PCNFSD\_SPOOL parameter to refer to different OpenVMS directories depending on which PCNFSD client requests the print spooling services.

**TCPWARE\_NFS\_PORT**

Sets the TCP and UDP port through which the NFS, MOUNT, and PCNFSD protocols receive data.

**Table B-1 TCPware Logicals (Continued)****TCPWARE\_NFS\_SECURITY**

Enables various security features. This parameter is a decimal bit mask value.

**Caution!** Do not use bits 0 and 1 for PC clients using PCNFS.

If you use PC-NFS printing with mask value=2, add an entry to the EXPORT database for each client subdirectory (not just a single entry for the spool directory.) The pathname listed in the EXPORT database should be the NFS\_PCNFSD\_SPOOL parameter value concatenated with the name of the client subdirectory.

If you set bit 5, PC-NFS users can print to batch queues. This may present a security risk, since users could submit batch jobs under a privileged (or another) user by forcing the UID/GID values of their choice.

Disabling use of the intrusion database for PCNFSD, by setting bit 6, affects all exports.

A bit mask 8 value of 128 disables PCNFSD deletion of printed files from the spool directory.

**TCPWARE\_NFS\_TCP\_THREADS**

Controls the number of simultaneously serviced requests received over TCP connections the server can support. The server requires a thread for each TCP request it receives. This thread is active for the amount of time it takes the server to receive the request, perform the operation, and send a reply to the client.

The more threads the server supports, the better the performance.

**Note!** The number of threads has no impact on the number of TCP connections the server supports.

**TCPWARE\_NFS\_UDP\_THREADS**

This is similar to the NFS\_TCP\_THREADS parameter but relates to UDP threads.

**TCPWARE\_NFS\_XID\_CACHE\_SIZE**

Sets the maximum number of XID cache entries. The XID cache prevents the system from transmitting false error messages for operations such as delete, create, rename, and set attributes.

Set the NFS\_XID\_CACHE\_SIZE parameter to at least twice (2 times) the largest of the number of:

- NFS clients using the NFS Server
- UDP threads (as set by the NFS\_UDP\_THREADS parameter)
- TCP threads (as set by the NFS\_TCP\_THREADS parameter)

The parameter sets the size of both the UDP and TCP XID caches (each protocol has a separate XID cache).

**Table B-1 TCPware Logicals (Continued)**

<p><b>TCPWARE_PCNFSD_DFLTPRTOPT</b></p> <p>Specifies the default print options when submitting a spooled print job for printing. The logical for NFS_PCNFSD_DFLTPRTOPT is TCPWARE_PCNFSD_DFLTPRTOPT.</p>
<p><b>TCPWARE_PPPD_DEBUG_LEVEL</b></p> <p>When you specify the DEBUG (or -D) option, it debugs at level 5 (display up to warning and significant events). For more informational and debugging information, raise the debug level to 7.</p>
<p><b>TCPWARE_PPPD_OPCOM_LEVEL</b></p> <p>For a detached process, raise the message level for OPCOM messages. By default, it is set to 4 to report fatal and error messages. Raise it to 5 to monitor the significant events in PPPD, or even higher for more detail.</p>
<p><b>TCPWARE_QUOTE</b></p> <p>Defines the quote for the server. This logical can be either a string or a filename that includes the quote text. Prefix a filename with the @ sign and enclose the definition or filename in quotation marks.</p> <p>You need SYSNAM or SYSPRV privileges to define the system-wide logical.</p> <pre>\$ DEFINE/SYSTEM/EXECUTIVE TCPWARE_QUOTE "Quote-of-the-day" \$ DEFINE/SYSTEM/EXECUTIVE TCPWARE_QUOTE "@SYS\$MANAGER:QUOTE.TXT" \$ DEFINE/SYSTEM/EXECUTIVE TCPWARE_QUOTE "Today's quote is",- _\$ "@SYS\$MANAGER:QUOTE.TXT"</pre>
<p><b>TCPWARE_RCMD_FLAGS</b></p> <p>Set this logical to 1 (default = 0) to disable user-specified SYS\$LOGIN: .RHOSTS files (and use the HOSTS.EQUIV file only).</p>
<p><b>TCPWARE_RCMD_OUTPUT</b></p> <p>Sets up a log file for incoming R Services such as RCP and RSH to log messages in the RCMD.LOG file:</p> <pre>\$ DEFINE /SYSTEM /EXECUTIVE TCPWARE_RCMD_OUTPUT RCMD.LOG</pre>
<p><b>TCPWARE_RES_OPTIONS <i>ndots ndots</i></b></p> <p>Sets up to six domains in a search list, as well as the minimum number of dots to recognize in a host name to make it fully qualified. The client reads this information from two logicals you set through CNFNET.</p>
<p><b>TCPWARE_RES_RETRANS_MIN</b></p> <p>Specifies minimum retransmit time value in seconds.</p>

**Table B-1 TCPware Logicals (Continued)**

<p><b>TCPWARE_RES_RETRIES</b></p> <p>Specifies retry count.</p>
<p><b>TCPWARE_SCP_VMS_MODE_BY_DEFAULT True Yes 1</b></p> <p>When this logical is defined to True, Yes, or 1, the SCP command defaults to /VMS if neither /NOVMS nor /TRANSLATE_VMS are specified.</p>
<p><b>TCPWARE_SCP2_CONNECT_TIMEOUT</b></p> <p>This logical defines a number specifying how long SCP2 should wait for a response to the INITIALIZE command from the server program. This is a VMS delta time number. The default is 2 minutes.</p>
<p><b>TCPWARE_SCP2_VMS_MODE_BY_DEFAULT</b></p> <p>When defined to TRUE, YES, or 1, this logical chooses the /VMS qualifier if /TRANSLATE_VMS or /NOVMS has not been specified.</p>
<p><b>TCPWARE_SFTP_CASE_INSENSITIVE</b></p> <p>This logical causes SFTP to treat filenames in a case insensitive manner when it is defined to TRUE, YES, or 1.</p>
<p><b>TCPWARE_SFTP_FALLBACK_TO_CBT True Yes 1</b></p> <p>When this logical is defined to TRUE, YES, or 1, and files are being transferred in VMS mode, a contiguous file will be created as contiguous best try if there is insufficient space to create it as contiguous.</p>
<p><b>TCPWARE_SFTP_FILE_ESTIMATE_THRESHOLD</b></p> <p>This logical controls the minimum number of blocks that a text file must be for an estimated transfer size to be returned instead of an exact size. The default is to estimate the transfer size for all text files.</p>
<p><b>TCPWARE_SFTP_DEFAULT_FILE_TYPE_REGULAR</b></p> <p>If this logical is defined to TRUE, YES or 1, then the SFTP server will use a default file type of REGULAR instead of UNKNOWN for OPEN operations. This can correct problems with filenames without a . (dot) in them getting .dir added to them. The filename will appear with a . at the end of the name in directory listings.</p>
<p><b>TCPWARE_SFTP_MAXIMUM_PROTOCOL_VERSION</b></p> <p>This logical can be used to limit the version of the SSH File Transfer Protocol that the SFTP client and Server use. This can sometimes provide a work-around for problems encountered with different implementations of the protocol. The default value is 4. Protocol versions 2 and 3 are also used by popular implementations.</p>

**Table B-1 TCPware Logicals (Continued)**

<p><b>TCPWARE_SFTP_NEWLINE_STYLE</b></p> <p>This logical controls the newline style that SFTP uses. Which can be helpful in transferring text files. The values are: UNIX &lt;lf&gt;, VMS &lt;lf&gt;, MAC &lt;cr&gt;. If the logical is not defined, or defined to any other value, then &lt;cr&gt;&lt;lf&gt; will be used for the text line separator as documented in the SSH File Transfer specification.</p>
<p><b>TCPWARE_SFTP_ODS2_SRI_ENCODING</b></p> <p>This logical controls whether or not SRI encoding is used for filenames on VMS ODS-2 disks. If the logical is not defined, or is defined to TRUE, YES, or 1 then SRI encoding is used on ODS-2 disks for filenames that contain uppercase letters and special characters.</p>
<p><b>TCPWARE_SFTP_RETURN_ALQ True Yes 1</b></p> <p>When defined to TRUE, YES or 1 and files are being transferred in VMS mode, this logical causes the allocation quantity to be transmitted when a file is transferred. Normally this value is only sent when necessary to avoid having an excessive amount of space allocated to a file when it is transferred from a disk with a large allocation cluster to a disk with a small allocation cluster.</p>
<p><b>TCPWARE_SFTP_TRANSLATE_VMS_FILE_TYPES number</b></p> <p>When this logical is defined, the SFTP server will translate text files to stream linefeed format so that they are compatible with UNIX systems. The number is a bit mask, with the following definitions:</p> <ul style="list-style-type: none"> <li>bit 0 (value 1) FIXED format files should be translated</li> <li>bit 1 (value 2) VARIABLE format files should be translated</li> <li>bit 2 (value 4) VARIABLE, FIXED CONTROL (VFC) files should be translated.</li> </ul> <p>These values can be added together to specify combinations of file types. Due to the way the SCP2 client is implemented, this logical also serves as a default for the SCP2 client.</p> <p>The SCP-SERVER1 program always translates FIXED, VARIABLE and VFC files as it is designed to service requests that come from UNIX systems that use the OpenSSH implementation.</p>
<p><b>TCPWARE_SFTP_VMS_ALL_VERSIONS</b></p> <p>This logical controls whether or not all versions of a file are returned. The values TRUE, YES or 1 will return all versions, any other value is to only return the name of the file without a version. The default is to return only one filename without the version number.</p>
<p><b>TCPWARE_SLIP_n</b></p> <p>The START/IP command <i>line-specific-information</i> parameter provides the OpenVMS device name for the SLIP line. If you omit this parameter, TCPware assumes that the TCPWARE_SLIP_n system logical (where <i>n</i> is the controller number) defines the device.</p>



**Table B-1 TCPware Logicals (Continued)**

<p><b>TCPWARE_LOCALDOMAIN</b></p> <p>Specifies the default local domain name to be used when building To: addresses on outgoing messages.</p> <p>For example, to have messages sent to SMTP%“Joe@construction” to be delivered to SMTP%“Joe@construction.bedrock.com”, TCPWARE_LOCALDOMAIN would be defined as “bedrock.com”.</p>
<p><b>TCPWARE_NAMESERVERS</b></p> <p>List of IP addresses for DNS lookups.</p>
<p><b>TCPWARE_SMTP_A1_NAME</b></p> <p>Used in forming the username portion of return addresses for ALL-IN-1 users.</p>
<p><b>TCPWARE_SMTP_ACCEPT_UNIX_LF</b></p> <p>Tells the SMTP agents to accept lines sent by some UNIX systems that are terminated with a linefeed only (instead of the proper carriage-return, linefeed combination).</p>
<p><b>TCPWARE_SMTP_ALLOW_USER_FROM</b></p> <p>Allows users to override their From: address on outgoing mail by specifying /FROM=xxx@yyy as the first line of outgoing mail messages.</p>
<p><b>TCPWARE_SMTP_ALLOW_VIRTUAL_DOMAIN</b></p> <p>Allows the use of virtual domains in TCPware SMTP environment. Without this logical defined, incoming aliases are assumed to be local addresses only. If your system supports multiple virtual domains and uses in the alias file to reroute traffic based on those domains, you must define this logical.</p>
<p><b>TCPWARE_SMTP_AM_DOMAIN</b></p> <p>Domain name used when forming return addresses for ALL-IN-1 users.</p>
<p><b>TCPWARE_SMTP_AM_NAME</b></p> <p>Used in forming the username portion of return addresses for ALL-IN-1 users.</p>
<p><b>TCPWARE_SMTP_APPEND_FORWARDER_TO_MX</b></p> <p>Specifies that the default SMTP forwarder, if defined, is appended to the end of an MX list for a target host when delivering outgoing mail.</p>
<p><b>TCPWARE_SMTP_BATCH_QUEUE</b></p> <p>Points to the TCPware SMTP queue.</p>

**Table B-1 TCPware Logicals (Continued)**

<b>TCPWARE SMTP DECNET DOMAIN</b>
Specifies a DECnet name used in the creation of return addresses.
<b>TCPWARE SMTP DELIVERY RECEIPTS</b>
Enables or disables delivery receipts (value is TRUE or FALSE).
<b>TCPWARE SMTP DISABLE DELIVERY RECEIPT DISCLAIMER</b>
When deliver receipts are enabled, a disclaimer is included in all such receipts telling the sender that the message has been delivered, but not necessarily read. Defining this logical prevents the disclaimer from being included.
<b>TCPWARE SMTP DISABLE FOLDER DELIVERY</b>
Disables TCPware SMTP's ability to deliver messages to user-defined folders in their VMS Mail files.
<b>TCPWARE SMTP DISABLE PSMAIL</b>
If defined, causes mail sent to PSI% users to be returned with NOSUCHUSER.
<b>TCPWARE SMTP ENVELOPE FROM HOST</b>
Specifies the host name to be used in the SMTP envelope MAIL FROM: line. If not defined, the default system host name is used.
<b>TCPWARE SMTP FORWARDER</b>
Specifies the domain name of the system to which all outgoing mail is forwarded for further delivery.
<b>TCPWARE SMTP FROM HOST</b>
Specifies the local host name used when forming From: address on outgoing messages. If this logical is not defined, the system host name is used.
<b>TCPWARE SMTP HEADER ORG</b>
Specifies the text for an Organization: header in outgoing mail.
<b>TCPWARE SMTP HEADER RETURN RECEIPT TO</b>
Generates a Return-Receipt-To: header in outgoing mail. Requires the TCPWARE SMTP RETURN_RECEIPT_TO_HEADER_ENABLE logical to be defined.
<b>TCPWARE SMTP HEADER SYS</b>
Specifies the text for a System: header in outgoing mail.
<b>TCPWARE SMTP HOST ALIAS FILE</b>
Points to the file containing a list of all the host names that should be considered local for this node for incoming mail delivery.

**Table B-1 TCPware Logicals (Continued)**

<b>TCPWARE_SMTP_HOST_NAME</b>
Specifies all the local host names for this node. Used to specify all virtual domains handled by this node. Alternatively, the node names can be stored in the file TCPWARE:SMTP_HOST_ALIASES.
<b>TCPWARE_SMTP_LOG</b>
Specifies the output filename. If not defined, the name defaults to TCPWARE:TCPWARE_SMTP_LOG.queueName.
<b>TCPWARE_SMTP_MAXIMUM_822_TO_LENGTH</b>
Sets the maximum length of the RFC822 To: header line when delivering incoming mail to VMS Mail users.
<b>TCPWARE_SMTP_MRGATE_NAME</b>
Specifies the name of the Message Router gateway.
<b>TCPWARE_SMTP_NON_LOCAL_FORWARDER</b>
Specifies the name of a forwarder system for non-local outgoing mail.
<b>TCPWARE_SMTP_NO_USER_REPLY_TO</b>
Disallows the use of user-defined Reply-To: headers in outgoing mail.
<b>TCPWARE_SMTP_POSTMASTER</b>
Specifies the address of the system-wide postmaster.
<b>TCPWARE_SMTP_REJECT_INVALID_DOMAINS</b>
Tells the SMTP server to reject mail from domains whose names and addresses cannot be resolved in a reverse lookup.
<b>TCPWARE_SMTP_REPLY_TO</b>
Specifies an address for a Reply-To: header in outgoing mail.
<b>TCPWARE_SMTP_RESENT_HEADERS</b>
Causes the inclusion of "Resent-*" headers in mail forwarded from a VMS Mail account using SET FORWARD in VMS Mail.
<b>TCPWARE_SMTP_RETRY_INTERVAL</b>
Specifies the retry interval for messages waiting for an attempted redelivery. The time is specified as a delta time.
<b>TCPWARE_SMTP_RETURN_INTERVAL</b>
Specifies the amount of time a given message delivery should be retried before giving up and bouncing the message back to the sender. The time is specified as a delta time.

**Table B-1 TCPware Logicals (Continued)**

<b>TCPWARE_SMTP_RETURN_MSG</b>
Specifies an input filename for the return message SMTP sends when a mail message bounces.
<b>TCPWARE_SMTP_RETURN_RECEIPT_TO_HEADER_ENABLE</b>
Enables the Return-Receipt-To: header if the TCPWARE_SMTP_HEADER_RETURN_RECEIPT_TO logical is also defined.
<b>TCPWARE_SMTP_SEND_CLASS</b>
Specifies the VMS broadcast class for "New mail" notifications. The default is USER16.
<b>TCPWARE_SMTP_SERVER_DISABLE_VRFYEXPN</b>
Disables the VRFY and EXPN commands in bitmask format to the SMTP server. Bit 0 = VRFY; Bit 1 = EXPN.
<b>TCPWARE_SMTP_SERVER_LOG</b>
Enables debug logs for the SMTP server.
<b>TCPWARE_SMTP_SERVER_RCPT_CHECK_HOST</b>
The host name to be used in checking for local host when passing messages through the reject rules.
<b>TCPWARE_SMTP_SERVER_REJECT_FILE</b>
Points to the file containing the rejection rules.
<b>TCPWARE_SMTP_SERVER_REJECT_INFO</b>
Specifies the level of OPCOM messages generated by the rejection rules for incoming SMTP mail. If not defined, no messages are generated.
<b>TCPWARE_SMTP_SUPPRESS_VENDOR</b>
Suppresses the vendor name in the SMTP server welcome banner. Define this logical to hide the fact that the system is a VMS system running TCPware.
<b>TCPWARE_SMTP_SYMBIONT_LOG</b>
Enables debug logs for the SMTP symbiont.
<b>TCPWARE_SMTP_SYMBIONT_PURGWS_TIMER</b>
Specifies how often the SMTP symbiont purges its working set to free up unneeded memory. The time is specified as a delta time.
<b>TCPWARE_SMTP_WINDOW_SIZE</b>
Specifies the window size used in TCP connections when delivering mail.

Table B-1 TCPware Logicals (Continued)

<p><b>TCPWARE_SNMP_DEBUG</b></p> <p>SNMP subagent developers uses this logical to set certain debug masks.</p> <p>\$ DEFINE TCPWARE_SNMP_DEBUG <i>mask</i></p>
<p><b>TCPWARE_SSH_ALLOW_EXPIRED_PW</b></p> <p>Allows logging in to an account when the account's password has expired due to pwldifetime elapsing. This applies to all users and circumvents normal VMS expired-password checking, and therefore should be used with caution. An entry is made into the SSH_LOG:SSHD.LOG file when access is allowed using this logical name.</p>
<p><b>TCPWARE_SSH_ALLOW_PREEXPIRED_PW</b></p> <p>(SSH1) allows logging in to an account when the password has been pre-expired. This applies to all users and circumvents normal VMS expired-password checking, and therefore should be used with caution. An entry is made into the SSH_LOG:SSHD.LOG file when access is allowed using this logical name.</p>
<p><b>TCPWARE_SSH_KEYGEN_MIN_PW_LEN</b></p> <p>(SSH1) defines the minimum passphrase length when one is to be set in SSHKEYGEN. If not defined, defaults to zero. Defined by @TCPWARE2CNFNET SSH.</p>
<p><b>TCPWARE_SSH_PARAMETERS_n</b></p> <p>These parameters are used to start SSHD_MASTER. They are parameters set by @TCPWARE:CNFNET SSH.</p>
<p><b>TCPWARE_SSH_USE_SYSGEN_LGI</b></p> <p>(SSH1) if defined, causes SSHD to use the VMS SYSGEN value of LGI_PWD_TMO to set the login grace time, overriding anything specified in the command line or the configuration file.</p>
<p><b>TCPWARE_SVCORDER</b></p> <p>Contains the list of services used in the order specified.</p> <p>Use the values "bind,local" (the default if the logical is not defined) and "local,bind" (uses DNS if the Hosts database lookup fails).</p>
<p><b>TCPWARE_VMSMAIL_HEADER_CONTROL</b></p> <p>Specifies how many RFC822 headers are included in mail delivered to VMS Mail users. Values can be ALL, MAJOR, and NONE.</p>
<p><b>TCPWARE_VMSMAIL_LOCASE_USERNAME</b></p> <p>Lowercases the username portion of outgoing addresses.</p>

**Table B-1 TCPware Logicals (Continued)**

<p><b>TCPWARE_VMSMAIL_NO_EXQUOTA</b></p> <p>Delivers incoming mail to local VMS Mail users without using EXQUOTA.</p>
<p><b>TCPWARE_VMSMAIL_REPLY_CONTROL</b></p> <p>Specifies which header to use to determine the sender of a message ("Reply-To:" or "From:").</p>
<p><b>TCPWARE_VMSMAIL_USE_RFC822_TO_HEADER</b></p> <p>Sets the maximum length of the RFC822 To: header line when sending outgoing mail. The default is 1024. The range can be set from 256 to 65535.</p>
<p><b>TCPWARE_TCLB_BIAS</b></p> <p>Define this logical with a multiplier and an addend as two values of the logical. Both are real numbers.</p> <p>You can use these values to bias a load offered to the host. For example, the following command doubles the observed load and adds 1.5 users:</p> <pre>\$ DEFINE /SYSTEM TCPWARE_TCLB_BIAS "2.0", "1.5"</pre> <p>TCPware re-translates this logical before it sends each response. This means that some other process can change it dynamically or you can set it statically.</p>
<p><b>TCPWARE_TELNET_WINDOW</b></p> <p>Specifies the window size that the TELNET server offers to the peer. The default value is 4096. If the value is less than 512, TELNET uses 4096.</p>
<p><b>TCPWARE_TELNETD_DEFCHAR</b></p> <p>Sets up the default terminal characteristics for TELNET sessions. You can avoid having to change the SYSGEN TTY_DEFCHAR and TTY_DEFCHAR2 fields system-wide. This logical forces the hangup bit set. To prevent the forcing of the hangup bit set, use the TCPWARE_TELNETD_NO_FORCED_HANGUP logical.</p>
<p><b>TCPWARE_TELNETD_FLAGS</b></p> <p>Setting either bit 0 or 1 can improve server performance and reduce system processing overhead. The default value is 1.</p> <p><b>Note!</b> Doing so means you are not adhering to the TELNET protocol.</p>

Table B-1 TCPware Logicals (Continued)

**TCPWARE\_TELNETD\_INTRO\_MSG**

Defines a special message that appears whenever a user attempts access to the host through TELNET. Use this logical to issue warnings such as "Authorized Use Only" for remote logins.

If the TCPware ACE/Client is enabled and the user is designated for Token Authentication, the user is also prompted for the PASSCODE in addition to the username and password.

Kerberos password protection is also available for the TELNET service.

**TCPWARE\_TIMED\_EXCLUDE**

Determines the networks excluded from clock synchronization, either in network addresses or names.

**TCPWARE\_TIMED\_INCLUDE**

Determines the networks included in clock synchronization, either in network addresses or names.

**TCPWARE\_TIMED\_MODE**

Determines if the current host is a MASTER, FIXED MASTER, or SLAVE.

- **MASTER** (primary) -- broadcasts time synchronization requests, calculates the time differences and averages, and sends "adjust time" messages.
- **FIXED MASTER** (fixed primary) -- provides absolute time stamps to newly started dependent TIMED hosts.
- **SLAVE** (dependent) -- is the recipient of primary "adjust time" messages.

**TCPWARE\_TIMEZONE**

This logical can have two equivalence strings:

- *+hhmmss*
  - hh* are the hours    *mm* are the minutes    *ss* are the seconds offset from the universal time (UT).
  - + is for east of the central meridian, - is for west. For example: +04 : 00 : 00 is four hours east of the central meridian at Greenwich.
  - Another example: eastern standard time (EST) is five hours west of UT, so the offset is - 0500.
- *name* an optional name for the time zone. For example: EDT for Eastern Daylight time. Can be one of the following:
  - Universal Time--UT, UTC, or GMT
  - North American Time--EST, EDT, CST, CDT, MST, MDT, PST, PDT
  - Military Time--Any single uppercase letter A through Z except J (this format is not recommended)
  - Any other character sequence
  - The *name* is not validated and may be used by applications to report the local time zone.

**Table B-1 TCPware Logicals (Continued)**

<p><b>TCPWARE_TSSYM_ <i>qname</i></b></p> <p>Defines the parameters normally set with the /ON qualifier. Since you cannot use /AUTOSTART_ON together with the /ON qualifier to initialize a terminal server print queue, you need to define TCPWARE_TSSYM_ <i>qname</i> for this purpose.</p> <pre>\$ DEFINE /SYSTEM TCPWARE_TSSYM_ <i>qname</i> "host,port[,option...]"</pre>
<p><b>TCPWARE_TSSYM_*_RETRY_INTERVAL</b></p> <p>Defines the interval at which the symbiont retries to make a connection to a printer after an attempt fails. The default is 0::15 (15 seconds delta time).</p>
<p><b>TCPWARE_TSSYM_*_TIMEOUT</b></p> <p>Defines the time it takes for a print job to abort if the connection to the printer is never established. The default timeout is infinite (it never times out).</p>
<p><b>TCPWARE_TSSYM_ <i>qname</i>_RETRY_INTERVAL</b></p> <p>Same as TCPWARE_TSSYM_*_RETRY_INTERVAL, but for a specific queue only, and overrides TCPWARE_TSSYM_*_RETRY_INTERVAL.</p>
<p><b>TCPWARE_TSSYM_ <i>qname</i>_TIMEOUT</b></p> <p>Same as TCPWARE_TSSYM_*_TIMEOUT, but for a specific queue only, and overrides TCPWARE_TSSYM_*_TIMEOUT.</p>
<p><b>TCPWARE_VMSLPR SMB_ <i>qname</i>_PRECONN</b></p> <p>Makes the connection to the printer <i>before</i> processing the file. Normal behavior is to make the connection to the printer <i>after</i> processing the file.</p>
<p><b>TCPWARE_VMSLPR SMB_ <i>qname</i>_RETRY_INTERVAL</b></p> <p>Same as TCPWARE_VMSLPR SMB_*_RETRY_INTERVAL, but for a specific queue only, and overrides TCPWARE_VMSLPR SMB_*_RETRY_INTERVAL.</p>
<p><b>TCPWARE_VMSLPR SMB_ <i>qname</i>_TIMEOUT</b></p> <p>Same as TCPWARE_VMSLPR SMB_*_TIMEOUT, but for a specific queue only, and overrides TCPWARE_VMSLPR SMB_*_TIMEOUT.</p>
<p><b>TCPWARE_VMSLPR SMB_*_RETRY_INTERVAL</b></p> <p>Defines the interval at which the symbiont retries to make a connection to a printer after an attempt fails. The default value for a retry interval is 2 minutes (:2 in delta time).</p> <p><b>Note!</b> A connection failure can take 1.5 minutes to time out, which is not included in this interval value.</p>



**Table B-1 TCPware Logicals (Continued)**

<b>TCPWARE_VMSLPR SMB_*_TIMEOUT</b>
Defines the time it takes for a print job to abort if the connection to the printer is never established. The default timeout is infinite (it never times out).
<b>UCX\$DEVICE</b>
Defined as <code>BG:</code> (the name of the UCX device drive).
<b>UCX\$INET_HOST</b>
Defined to be the host name (the same setting as <code>TCPWARE_DOMAINNAME</code> ).
<b>UCX\$IPC_SHR</b>
Provides the linkage to the TCPware version of the <code>UCX\$IPC_SHR</code> Run-Time library.



# Glossary

## Introduction

This chapter provides a glossary of terms found throughout the TCPware for OpenVMS documentation set.

### Glossary of Terms

access control list (ACL)	OpenVMS list containing access rights for users.
access restrictions	Restrictions on a TCP application's usage, either incoming or outgoing.
active open	Actively opens a connection. TCPDRIVER sends segments to establish a connection to the destination host and port number for an active open request. To establish a connection, a passive open must usually be pending on the destination host.
Address Resolution Protocol (ARP)	Protocol used to map internet addresses to physical hardware addresses used on Ethernet and FDDI. <i>See</i> Fiber Distributed Data Interface and Reverse Address Resolution Protocol.
Ancillary control process (ACP)	A process that acts as an interface between user software and an I/O driver. An ACP provides functions supplemental to those performed in the driver, such as file and directory management.
application program interface (API)	Programming interface to an application, such as the TCPware SNMP Extendible Agent MIB API, ACE/Client API for Token Authentication, or the interface between a terminal emulation program and the TES Client software.
ARPANET	First entity to implement TCP/IP. ARPANET is the DARPA internet that served as the backbone for TCP/IP research. TCP/IP was so successful in the ARPANET that DARPA designated TCP/IP as a networking standard.
Asynchronous Transfer Mode (ATM)	<i>See</i> Classical IP over ATM.
attributes data file (ADF)	Special file in the NFS Client that maintains the attributes for an OpenVMS data file. These files appear on the server as <code>.\$ADF\$filename</code> , although the client system cannot see them.

**Glossary of Terms (Continued)**

authenticator	The Kerberos protocol uses authenticators to prevent eavesdroppers from stealing a ticket. The client sends a new authenticator with each request for service from a server. An authenticator consists of the client's name, client's IP address, and a timestamp showing the current time.
automounting	Automatic and transparent mount in NFS that mounts a filesystem when accessing it.
Autonomous System (AS)	Set of routers under a single technical administration, using an internal protocol and common metrics to route packets within the AS, and an external protocol to route packets to other ASs. The NIC assigns AS numbers.
background mount	Attempts to mount a filesystem on the NFS client made at least once at varying intervals and specified number of retries. <i>See</i> multicasting.
big-endian	Format for storage of binary data where the most-significant byte comes first. The Internet's standard byte order is big-endian. <i>See</i> little-endian <i>and</i> network byte order.
Border Gateway Protocol (BGP)	Exterior routing protocol used to exchange routing information between multiple transit Autonomous Systems (ASs) as well as between transit and stub ASs.
broadcasting	Packet delivery system that provides a copy of a given packet to all hosts attached to the network. For example: Ethernet and FDDI. <i>See</i> multicasting.
Classical IP over Asynchronous Transfer Mode (CLIP)	A way of sending IP datagrams over ATM protocol lines.
Classless Inter Domain Routing (CIDR)	Protocol developed in 1992 by the Internet Engineering Steering Group that eliminates address class distinctions and depends on address masks that fall on bit instead of byte boundaries. The strategy assigns blocks of Class C addresses to Internet providers and has the providers "subnet mask" the addresses in further units to organizations. This also sharply reduces the growth in routing tables in Internet routers beyond their manageable capacity.
client-server model	Concept used to describe the application layer protocols. The process that initiates a service is the client (or user). The process that provides the service is the server. A client and a server can be on different hosts or on the same host.

## Glossary of Terms (Continued)

cluster alias failover	System whereby a node in a VMSccluster (the "alias") can accept incoming connection requests for a server if the servicing node goes down. Used primarily with the Network File System (NFS).
Compressed SLIP (CSLIP)	<i>See</i> Serial Line IP (SLIP).
connectionless service	Service that presents data complete with a destination address, and the network delivers it on a best-effort basis, independent of other data exchanged between the same pair of users. Examples include IP and UDP.
connection-oriented service	Service that implements a connection-setup procedure before it can exchange data between two users. Connection-oriented services or protocols provide data transfer that is reliable, ordered, full-duplex, and flow-controlled. TCP is a connection-oriented service.
data circuit-terminating equipment (DCE)	Term the X.25 protocol standards use that applies to switching equipment that forms a packet switched network to distinguish it from the computers or terminals that connect to the network.
datagram	Single message unit IP uses over an internet and consisting of protocol headers and data.
data terminal equipment (DTE)	Term X.25 protocol standards use that applies to computers and/or terminals, to distinguish them from the packet switching network to which they connect.
delta time	<p>The delta time syntax is:</p> <p>dddd hh:mm:ss.cc</p> <ul style="list-style-type: none"> <li>• <i>dddd</i> is the number of days (0-9999); if less than one day, specify zero (0); follow with a blank space.</li> <li>• <i>hh</i> is the number of hours (0-23).</li> <li>• <i>mm</i> is the number of minutes (0-59) preceded by a colon (:).</li> <li>• <i>ss</i> is the number of seconds (0-59) preceded by a colon (:).</li> <li>• <i>cc</i> is the number of hundredths of a second (0-99) preceded by a period (.</li> </ul> <p>You can truncate a delta time on the right. You can omit fields in the time format as long as you include the punctuation that separates the fields. You must specify the days field even if you omit all time fields.</p>

**Glossary of Terms (Continued)**

domain namespace	Naming hierarchy. A domain name consists of a sequence of names (labels) separated by periods (.). The following are examples of domain names:  NS.NASA.GOV      C.NYSER.NET      BBN.COM
Domain Name System (DNS)	System that allows access to a distributed, hierarchical database of internet addresses, hostnames, and other information throughout the Internet.
duress PIN	Special PIN to use if you are being compromised during the login process. Used with the token authentication system.
Dynamic Host Configuration Protocol (DHCP)	Protocol that centralizes and automates TCP/IP network configuration. The DHCP Server dynamically allocates IP addresses for hosts on the network from an available pool of addresses. In this way, new hosts or hosts that are frequently relocated can automatically get new IP addresses for a certain lease period. DHCP is an extension of the Internet Bootstrap Protocol (BOOTP).
dynamic routing	<i>See</i> Gateway Routing Daemon.
encryption	Transformation of plain text into unintelligible text.
EXPORT database	Database on the NFS server system that controls which filesystems the server is able to export to a client.
exporting	Making a network filesystem available to mount on a client system by listing it in the "export" database.
Exterior Gateway Protocol (EGP)	Exterior routing protocol that moves routing information between Autonomous Systems (ASs).
External Data Representation (XDR) Protocol	Standard that resolves differences of data representation between different operating systems and hardware architectures.
Fiber Distributed Data Interface (FDDI)	Set of ANSI/ISO standards that define a high-bandwidth (100 Mb/s) general-purpose LAN. It provides synchronous and asynchronous services between computers and peripheral equipment in a timed-token passing, dual ring of trees configuration.
File Sharing Services (FSS)	NetWare service that lets you access OpenVMS directories, files, and printers using DOS facilities.
File Transfer Protocol (FTP)	Application level protocol that allows a user on a client host to log in to a server host and perform file functions.

### Glossary of Terms (Continued)

filename mapping	Process in NFS of mapping filenames between OpenVMS and UNIX so as to preserve the respective systems' filenaming conventions.
filesystem	Method for recording, cataloging, and accessing files on a client or server system.
flat namespace	In flat namespace naming, a system selects object names from a single set of strings rather than a hierarchical organization of strings. The following hostnames are examples:  ALPHA                      RESEARCH                      TULIP
Gateway Routing Daemon (GateD)	Manages multiple routing protocols, including the Routing Information Protocol (RIP), Local Network Protocol (HELLO), Router Discovery Protocol, Open Shortest Path First (OSPF) protocol, Exterior Gateway Protocol (EGP), and Border Gateway Protocol (BGP).
gateway	Device used to connect two or more networks to form an internet. A gateway also has an internet address for each connected network, and performs routing functions.
GROUP database	Database on the NFS Client that authorizes a client's group access to the remote host's filesystems. The database contains the group number and the VMS group identifier corresponding to the remote group identifier in the UNIX <code>/etc/group</code> file.
group ID (GID)	Group identification on the UNIX NFS host.
HELLO	Also called the Local Network Protocol, it is an interior protocol that uses delay as the deciding factor when selecting the best route. Delay is the round-trip time between source and destination. HELLO is not currently widely in use.
host	Unique, addressable entity that is part of an internet. A multiuser minicomputer and a terminal server are examples of hosts.
host byte order	Standard a host uses for storage and transmission of integers that specifies that either the least significant byte or most significant byte appears first. Sending machines must translate from their host or local machine integer representation to network byte order. Receiving machines must translate from network byte order to the local host or local machine representation. <i>See</i> big-endian <i>and</i> little-endian.

**Glossary of Terms (Continued)**

host equivalence files	Security access files on a Berkeley R Commands server host used to authorize access to services by other hosts or users. The files list hostnames (and, optionally, usernames) and indicate which remote hosts and users have equivalent access as local users. These include <code>RHOSTS .</code> and <code>HOSTS .EQUIV</code> files.
hostname	<p>Name assigned to a host. These names are for user convenience and a system maps it to an internet address. Host names may either be from a flat namespace or the domain namespace.</p> <p>A hostname is a mnemonic given to a host for the purpose of identifying it. Because the TCP/IP protocols only understand internet address, they must "translate" these hostnames into internet addresses. TCPware supports two means for translating a hostname into an internet address (or vice versa); the <code>HOSTS .</code> file and Domain Name System (DNS).</p> <p>The <code>HOSTS .</code> file supports any naming conventions you wish to use. Typically, use of a <code>HOSTS .</code> file involves using a flat namespace. For larger networks and the Internet, systems now more commonly use the Domain Name System (DNS).</p>
idempotency	<p>Remote Procedure Call (RPC) jargon for performing an operation more than once with identical results and without causing any harm.</p> <p>For example, an NFS server receives a delete file request from a client, deletes the file, and sends a success reply, but the network loses the reply before it reaches the client. Because the client does not receive a reply, it sends the delete file request again. Rather than process the request again and send a false error message stating that the file does not exist, the server simply retransmits the original reply.</p>
instance	In Kerberos authentication, identifies an instantiation of a principal name, such as the name of the system running a server.
internet	Network formed by connecting dissimilar hosts and networks with TCP/IP protocols. When capitalized (Internet), this term refers to the ARPANET, the DARPA internet that forms the backbone of internet research.



### Glossary of Terms (Continued)

internet address	Unique 32-bit value assigned to each host in an internet. All internet communications with a particular host use its internet address. TCPDRIVER, UDPDRIVER, IPDRIVER, INETDRIVER, and BGDRIVER use internet addresses to identify a host on the network. Each host on the network assumes a unique internet address. Internet addresses are 32-bit values. Internet addresses are in reverse VAX byte order (the most significant byte of the internet address is in the least significant byte of the longword value).
Internet Control Message Protocol (ICMP)	Performs a function of IP by providing a communications facility for gateways and hosts.
Internet Message Access Protocol (IMAP)	Allows IMAP-compliant mail programs to access messages stored remotely as if the storage were local.
Internet Protocol (IP)	Basis of TCP/IP, providing the network interface and message routing services for the higher level protocols.
Internet Printing Protocol (IPP)	The IPP print symbiont is an OpenVMS print symbiont working with the OpenVMS printing subsystem to implement an IPP Client. It allows printing over a network to printers and servers that support the IPP v1.0 network printing protocol.
IP routing	Mechanism provided by IP to deliver datagrams from the source to the destination.
IP Security Option (IPSO)	U.S. Department of Defense standard for protecting datagrams over the network.
Kerberos	Authentication system for open systems and networks. Kerberos uses a set of encrypted keys and tickets for authentication. Kerberos provides network security by regulating user access to networking services.
Key Distribution Center (KDC)	An alternate name for the Kerberos Server.
layer	The TCP/IP protocol suite consists of three layers of services that rest on a layer of hardware.
little-endian	Format for storage of binary data in which the least significant byte comes first. The VAX, Alpha and I64 byte order is little-endian. <i>See also</i> big-endian.
load balancing	Also known as TCP/IP load balancing. The system whereby the server changes the preferred order of access to systems in a TCP/IP cluster in response to their observed load.

**Glossary of Terms (Continued)**

local area network (LAN)	Two or more hosts connected by the same communications medium. The hosts typically span a small geographic area such as a single room or building.
Management Information Base (MIB-II)	Most recent MIB version for the SNMP protocol. A collection of data residing on the SNMP agent host and organized into groups. Each piece of data within a group is a management object.
mask, address or network	32-bit internet address, where the network number is set to all bits one and the host number is set to all bits zero. Hosts and gateways use the network mask to route internet packets by extracting the network number of an internet address, and comparing the network number with their own routing information to determine if the packet is bound for a local address.
master file directory (MFD)	"Root" directory ([000000]) in OpenVMS that is the default mount point for an NFS filesystem.
mount	NFS protocol that provides file handles for server access and keeps track of mounts.
mount point	Point on the remote NFS directory tree that you are interested in mounting or the point on the local directory tree where the remote filesystem is "attached."
mounting	Process in NFS of "attaching" a server filesystem to the file structure of a client to make it accessible using the client's normal operating facilities.
multicasting	Special form of broadcasting that delivers copies of the packet to only a subset of all possible destinations. <i>See</i> broadcasting.
multiplexing	Transmission of a number of different messages simultaneously over a single circuit.
multithreading	Ability to service transactions from many clients simultaneously.
network	Element of an internet in which two or more hosts are connected with the same communications medium. A LAN is an example of an internet network element.
network byte order	Internet standard for transmission of integers that specifies most significant byte appears first. Sending machines must translate from the local integer representation to network byte order, and receiving machines must translate from network byte order to the local machine representation. Equivalent to big-endian. <i>See</i> little-endian.

**Glossary of Terms (Continued)**

Network Control Utility (NETCU)	TCPware's utility program system managers and operators use to configure and control networks that run TCPware.
Network File System (NFS)	Application layer protocol developed by Sun Microsystems, Inc. that provides access to a remote computer's files as if they were local files.
Network Information Center (NIC)	Central organization of a network with the authority to create network names and addresses. NIC.DDN.MIL is the specific Internet NIC that holds the authority to create root servers.
Network Lock Manager (NLM) and Status Monitor (NSM)	The way in which the Network File System (NFS) supports file locking. Many NFS client systems support file locking, even on the record and byte level, as long as the byte ranges do not overlap. File locking on the Server is multithreaded, where the Server can satisfy more than one lock request at a time. The NSM cooperates with other status monitors on the network to notify the NLM of any changes in system status (such as when a crash occurs).
Network Print Services (NPS)	NetWare service that lets OpenVMS users print their files on any printer connected to NetWare LANs.
Network Time Protocol (NTP)	Protocol that synchronizes timekeeping among a set of distributed time servers and clients.
NSLOOKUP	Utility that queries information from DNS servers, based on RFCs 1034 and 1035.
occluded mount	Action in NFS where a filesystem mounts on a subdirectory of an existing mount point so that previously visible subdirectories and files of the original mount are no longer visible.
ONC RPC Services	Software development tool with which programmers can build distributed applications on VAX computers.
Open Shortest Path First (OSPF) Protocol	Interior gateway protocol that distributes routing information between routers in a single Autonomous System (AS). OSPF chooses the least cost path as the best path.
overmounting	Action in NFS where a filesystem mounts on top of an existing mount point.
packet	Single message as it appears to the physical network.
packet filtering	Restricts the datagrams that an interface can receive.

**Glossary of Terms (Continued)**

Packet Switching Data Network (PSDN) and packet switching exchange (PSE)	A PSDN consists of widely separated packet switching exchanges (PSEs). PSEs connect through public or private telephone networks or leased lines. PSEs contain data circuit-terminating equipment (DCE).
Passcode	Combination of your PIN and the tokencode. Used with the token authentication system.
passive open	Passive open "listens" and waits for a request from a remote host to establish a connection. You can fully or partially specify passive opens. Use partially specified opens when you do not know the requesting host. Note that a passive open does not send requests to establish a connection until the system receives a request from another host.
pathname	Directory path in a remote NFS filesystem.
PCNFSD	NFS authentication server to allow remote printing over NFS.
PC-peer	Synchronized host in the Network Time Protocol (NTP), which is either a time server or client and is identified by a relative NTP strata number.
PIN	Your personal identification number and part of the token authentication system. The PIN consists of four to eight alphanumeric characters.
PING	Packet InterNet Groper, a utility that tells you whether a host is up and whether you can reach it. The PING utility uses the ICMP echo and echo reply messages.
Point-to-Point Protocol (PPP)	Protocol whereby you can send IP datagrams over serial links, including LAT or modem connections. PPP is an enhancement to the nonstandard Serial Line IP (SLIP) interface, providing self-contained error detection and automatically negotiated header compression. It also provides authentication through the Password Authentication Protocol (PAP) or Challenge Handshake Authentication Protocol (CHAP).
port and port number	Abstract point through which a datagram passes from the host layer to the application layer protocols. Port number is a number the network drivers use to name the ends of logical connections. Port numbers are 16-bit values. Some standard server port numbers are 21 for FTP, 23 for TELNET, and 25 for SMTP. Servers generally use the port numbers from 0 to 255. User port numbers start at 1024. Specify port numbers in normal VAX byte order, unless indicated otherwise.

### Glossary of Terms (Continued)

Post Office Protocol Version 3 (POP3)	Multithreaded server that can handle up to 31 simultaneous client connections. POP3 does not perform any mail delivery functions but simply allows clients (mostly PCs) to retrieve new mail from local inboxes.
principal	Kerberos client and server names in the format <i>name.instance@realm</i> . For clients, <i>name</i> is the user's login name; for servers, <i>name</i> is the service name. <i>See</i> instance and realm.
print symbiont	Privileged process used to manage a queue of jobs sent to a local or remote printer.
Product Authorization Key (PAK)	HP's product licensing mechanism.
protocol	Standard that defines how computers on a network communicate with each other.
PROXY database	Database on the NFS client or server system that authorizes a client's access to the remote host's filesystems. The database contains the UNIX identity of its client, consisting of a UID and GID.
Quote-of-the-Day service (QUOTED)	TCP-based character generator service that listens for TCP connections on TCP port 17. Once you establish a connection, the service sends a short message. The service then throws away any data it receives and closes the connection.
realm	In Kerberos authentication, the name of a group of machines, such as those on a LAN, identifying the Kerberos administrative domain.
Record Management Services (RMS)	Set of operating system procedures called by programs to process files and records within files. Defines rules about how to store records in files.
Remote Compact Disk (RCD)	Utility that provides access to CD-ROM drives on remote TCP/IP systems.
Remote Copy Program (RCP)	UNIX-like command with which you can copy files over the network.
Remote Login Protocol	<i>See</i> TELNET.
Remote Magnetic Tape (RMT)	Utility that provides access to magnetic tape drives on remote TCP/IP systems.

**Glossary of Terms (Continued)**

Remote Procedure Call (RPC)	Set of protocols developed by Sun Microsystems, Inc. These protocols allow programs to invoke procedures on remote hosts as if the procedures were local. See ONC RPC Services.
Request for Comments (RFC)	Documents submitted to the Internet governing board to define Internet standards.
resolver	A Domain Name System (DNS) client that communicates with a DNS server to resolve a host name and internet address. The client does not maintain a database. The client only sends queries; it does not answer them.
resource record	Entry in a Domain Name System (DNS) database files.
Reverse Address Resolution Protocol (RARP)	Protocol used to map the physical hardware addresses to the IP address (used on Ethernet and FDDI). Diskless machines use this protocol to find their IP addresses from the server.
rlogin	Remote login; a Berkeley UNIX system service that allows users of one machine to connect to other UNIX machines across the Internet and interacts as if their terminals were directly connected to the machines. The software passes information about the user's environment, such as terminal type, to the remote machine.
Router Discovery Protocol	IETF standard protocol used to inform hosts of the existence of routers without having hosts wiretap routing protocols such as RIP. Used in place of, or in addition to statically configured default routes in hosts.
Routing Information Protocol (RIP)	Distance-vector protocol for distributing routing information at the local network level of the Internet. In distance-vector routing, each router transmits destination addresses and costs to its neighbors.
Serial Line IP (SLIP)	A point-to-point protocol used when you need to route TCP/IP traffic over a serial line instead of an Ethernet cable. You most commonly use SLIP to connect systems on two Ethernet networks some distance apart. Compressed SLIP (CSLIP) is used to compress the TCP/IP headers only (and not the data) over the SLIP line.
server	Host providing a service in a relationship between two cooperating processes.
Simple Mail Transfer Protocol (SMTP)	Application layer protocol that provides an electronic mail facility to an internet.

### Glossary of Terms (Continued)

Simple Network Management Protocol (SNMP)	Allows network management stations to obtain timely information about the network activities of OpenVMS server hosts. The information describes such things as routing, line status, the volume of network traffic, and error conditions.
sliding window	Characteristic of protocols that allow the sender to transmit up to <i>n</i> packets before an acknowledgment arrives. After the system receives an acknowledgment for the first packet, the sending protocol slides the packet window along the stream and sends another packet.
socket	Abstraction first provided by Berkeley BSD UNIX that allows a process to have access to the Internet. A process opens a socket, specifies the desired service (reliable stream delivery, datagram delivery, IP) connects the socket to a specified destination, and then sends or receives data.
Socket Library	Collection of VAX C (on VAX machines) and DEC C (on Alpha and I64 machines) subroutines that closely emulates the UNIX socket functions.
SSH	Abbreviation for Secure Shell. <i>See</i> Accessing Remote Systems with the Secure Shell (SSH) Utilities.
statelessness	Ability not to have to maintain information from a previous request to process a new one. The Network File System (NFS) is an example of a stateless operation.
stratum	Number for a peer in the Network Time Protocol (NTP) that identifies the relative hierarchy of the peer. Lower strata peers act as time servers while higher strata peers are clients who adjust their time clocks according to these servers. An Internet Time Server (ITS) on the network is assigned <i>stratum 1</i> because it has radio-clock-generated time based on Universal Coordinated Time (UTC).
stream service	TCP service that transfers data in a continuous flow, without the use of markers to show the beginning or end of messages.
STREAM-LF file	Record structure OpenVMS uses where it views the file's records as a continuous stream of bytes delimited by a line feed (LF) character.
subnetwork (subnet)	Subdivision of a network used to provide a means to logically group hosts within a large network.

**Glossary of Terms (Continued)**

subnet mask	Thirty-two-bit internet address created by taking bits from the host number and using them to extend the network mask. Hosts and gateways local to a subnet use the subnet mask for local routing.
superuser	UNIX or NFS user having almost unlimited privileges. The superuser usually has a User ID (UID) of 0.
symbiont	Process that transfers record-oriented data to or from a device. For example, an output symbiont transfers data from disks to line printers. See print symbiont.
TALK	Utility that allows users to exchange messages they type in their terminal windows with other local or remote users.
TELNET	Application layer protocol that allows a user at a client host to log in to a server host. The user's terminal at the client host appears to the server as a directly connected terminal.
Terminal Emulation Services	Transport protocol that provides NetWare workstations access to any OpenVMS systems.
Terminal Server Print Services	Provides an efficient way for OpenVMS users to send print requests to printers attached to TCP/IP-based terminal servers. Users on the host can easily gain access to printers attached to a terminal server as if they were any other OpenVMS printer.
ticket	Kerberos authentication entity that allows a user to prove his identity to an application server by way of a third-party (Kerberos) server.
Time Synchronization Protocol (TSP), or TIMED	Protocol that synchronizes the clocks of the various hosts in a LAN. Also know as <code>timed</code> .
TN3270	Mode used in TELNET to communicate with IBM 3278- <i>n</i> terminal models.
token authentication	An authentication system that allows you to set additional security restrictions on your FTP, TELNET, RLOGIN, and SET HOST logins. Authentication takes place through a physical SecurID token "smart card" that you use to provide the token authentication server (ACE/Server) with the necessary login information. You can set up token authentication through TCPware's Access Control Encryption Client (ACE/Client) on the OpenVMS host, which communicates with Security Dynamics' ACE/Server on a UNIX or Windows NT host.



## Glossary of Terms (Continued)

tokencode	Random number currently displayed on your Security Dynamics SecurID smart card. Used with the token authentication system.
transaction service	Method of data transport provided by UDP that treats each datagram as a separate entity.
Transmission Control Protocol (TCP)	Host layer protocol that provides a reliable data transport service to the application layer protocols. TCP is stream-oriented. It ensures that the system delivers data in order and without duplication.
transparency	Level at which a user need not be aware of the process involved but only in the results of an operation.
trap	Unsolicited message the SNMP agent sends to a management station to inform it that a change in the network occurred. <i>See also</i> Simple Network Management Protocol (SNMP).
UNIX or ULTRIX filesystem	Set of files organized as a tree with a single root node ( <code>root</code> ) indicated as a slash (/).
User Datagram Protocol (UDP)	Host layer protocol that provides transaction oriented data transport. UDP does not provide data reliability, but does provide data transport with very little overhead.
user ID (UID)	User identification on the UNIX Network File System (NFS) host.
User Identification Code (UIC)	User identification on the OpenVMS host in the format <i>username</i> or [ <i>group, member</i> ].
VAX byte order	VAX standard for storage and transmission of integers that specifies that the least significant byte appears first. VAX byte order is little-endian. VAX byte order sending machines must translate from the local integer representation to network byte order, and receiving machines must translate from network byte order to the local machine representation.
virtual circuit	Facility in a packet-switched communication network in which packets passing between a pair of terminals stay in sequence. Since this is a property of a circuit, a virtual circuit connects the two terminals. It can be a permanent virtual circuit or a virtual call.
virtual directory	Temporary directory created by the NFS client that is closer to the root in the file structure than the mount point. The virtual directory disappears once you dismount a filesystem.
virtual network	Network in which all connected hosts are able to communicate to each other as if they were all on the same local network. Users view an internet as a virtual network.

## Glossary of Terms (Continued)

Virtual Terminal Protocol	<i>See</i> TELNET.
VMSINSTAL	OpenVMS installation procedure used to install TCPware products.
well-known port	Any of a set of protocol port numbers preassigned for specific uses by transport level protocols (TCP and UDP). Servers follow the well-know port assignments so clients can locate them. Examples of well-known port numbers include ports assigned to the remote login (TELNET) service and the file transfer (FTP) servers.
whitespace	Space, tab, or newline character.
WHOIS	Utility that allows Internet users to query the Network Information Center (NIC) username directory services.
wide area network (WAN)	Network element of an internet in which hosts connect over large geographic distances.
X.25	Set of networking recommendations that define the network/user interface in a Packet Switching Data Network (PSDN). X.25 provides a common set of protocols for computer systems to follow when interconnecting over a PSDN.
XQP	Extended QIO processor. <i>See</i> ancillary control process (ACP).

# Index

---

## Symbols

"Next Code" prompt 14-8  
/BUFFER\_SIZE 17-3  
/CONCURRENT\_REQUESTS 17-3  
/HELP 16-7, 16-32  
/LOCK 16-32  
/NO\_AGENT\_FORWARDING 16-7  
/NOSSH1 16-32  
/QUIET 16-8  
/REMOVE 16-33  
/TIMEOUT=n 16-33  
/UNLOCK 16-33  
/URL 16-33  
/USE\_NONPRIV\_PORT 16-8  
/USER=user 16-8  
/VERBOSE 16-8  
/VERSION 16-8

---

## A

ACE/Client, definition 14-1  
additional documentation A-6  
anonymous  
    user access 3-16  
    users 3-15  
AO 12-21, 12-39  
authentication private keys 16-31  
AYT 12-21, 12-41

---

## B

BACKWARD 12-21, 12-42  
banner page 5-16  
BatchMode 16-9  
BELL 3-69  
BINARY 12-21, 12-43

BRK 12-21, 12-44

---

## C

CERTENROLL 16-33  
class keyword  
    ALL 3-70  
    COMMANDS 3-70  
    NONE 3-70  
    PERFORMANCE 3-70  
    REPLIES 3-70  
ClearAllForwardings 16-9  
client-FTP file transfer formats 3-11  
    BLOCK 3-12  
    formatted ASCII 3-11  
    formatted binary 3-11  
    FORTRAN 3-12  
    IMAGE 3-12  
    VMS 3-12  
command line method 3-4, 3-8  
command reference 3-20  
    ACCOUNT 3-21  
    CLOSE 3-21  
    COPY 3-21  
    CREATE/DIR 3-21  
    DEFINE/KEY 3-21  
    DELETE 3-21  
    DIRECTORY 3-21  
    DISPLAY 3-21  
    ENABLE VMS\_PL 3-21  
    ERROR\_EXIT 3-21  
    EXIT 3-21  
    GET 3-21  
    HELP 3-21  
    LDIR 3-21  
    OPEN 3-21  
    PUT 3-21  
    PWD 3-21  
    QUOTE 3-21  
    REMOTHEHELP 3-21

- RENAME 3-21
- SET BELL 3-21
- SET DEBUG 3-21
- SET DEFAULT 3-21
- SET HASH 3-21
- SET LOWERCASE 3-21
- SET PASSIVE 3-21
- SET STATUS 3-21
- SET VMS 3-21
- SITE 3-21
- SPAWN 3-21
- STRUCTURE 3-21
- TYPE 3-21
- USER 3-21
- components for
  - access to network filesystem
    - NFS-OpenVMS Client 2-2
    - NFS-OpenVMS Server 2-2
  - accessing network tape drives
    - RCD client 2-9
    - RMT client 2-8
    - RMT service 2-9
  - additional management
    - Network Control Utility (NETCU) 2-10
    - Simple Network Management Protocol (SNMP) services 2-10
  - configuring hosts
    - DHCP/BOOTP 2-9
    - Domain Name Services 2-9
    - Point-to-Point Protocol (PPP) 2-10
    - Serial Line IP (SLIP) protocol 2-10
  - logging in to remote hosts
    - RLOGIN 2-5
    - RSH 2-5
    - TELNET-OpenVMS 2-6
  - network printing
    - line printer services 2-4
    - terminal server print services 2-4
  - securing network resources
    - incoming access restrictions 2-13
      - IP Security Option (IPSO) 2-14
      - Kerberos authentication for
        - RCP 2-13
        - RLOGIN 2-14
        - RSH 2-14
        - TELNET 2-14
      - Kerberos server 2-13
    - outgoing access restrictions 2-13
    - packet filtering 2-13
    - secure shell (SSH) 2-15
    - token authentication 2-14
  - sending network mail
    - IMAP server 2-7
    - POP3 server 2-7
    - SMTP-OpenVMS 2-7
    - TALK utility 2-8

- time synchronization
  - Network Time Protocol 2-11
  - TIMED 2-11
- transferring network files
  - FTP-OpenVMS 2-3
  - RCP 2-3
  - TFTP 2-3
- tunneling applications over IP
  - tunneling DECnet over IP 2-15
- Compression 16-9
- conventions 1-xxiii
- COPY 3-13
- customer support, obtaining 1-xx

---

## D

- destination printer 5-21
- directory checking 3-9
- FTP commands
  - ENABLE 3-46
- documentation set 1-xxii
- Duress PIN 14-2
  - using a 14-8

---

## E

- EC 12-21, 12-48
- EL 12-21, 12-49
- electronic mail 1-xx
- encrypted data 16-21
- enterprise-wide networking 1-1
- ESCAPE 12-21, 12-50
- ESCAPE\_CHARACTER=char 16-7
- external applications over IP, tunneling 2-15

---

## F

- file
  - printing 2-4
  - transfer format checking 3-10
  - type qualifiers (positional) 3-32
- files, transferring 2-3
- FLAG 5-18
- flag page 5-16
- FLUSH 12-21, 12-52
- FORWARD 12-21, 12-53
- forwarded ports
  - tunnels 16-21
- FTP
  - command synonyms
    - ASCII 3-21
    - BELL 3-21

BINARY 3-21  
 BYE 3-21  
 CD 3-21  
 CONNECT 3-21  
 DEBUG 3-21  
 DISCONNECT 3-21  
 H 3-21  
 HASH 3-21  
 IMAGE 3-21  
 LCD 3-21  
 LIST 3-21  
 LOGIN 3-21  
 LS 3-21  
 MDELETE 3-21  
 MGET 3-21  
 MKDIR 3-22  
 MPUT 3-22  
 PASSIVE 3-22  
 QUIT 3-21  
 RECV 3-22  
 RM 3-22  
 RMDIR 3-22  
 SEND 3-22  
 STATUS 3-22  
 VERBOSE 3-22  
 Z 3-22  
 features 3-2  
   case conversion 3-2  
   command line interface 3-2  
   graphical user interface 3-2  
   status messages 3-2  
   wildcards 3-3  
 login sequence 14-3  
 preparation 3-1  
 session 3-1  
 FTP commands  
   ACCOUNT 3-27  
   CLOSE 3-28  
   COPY 3-30  
   CREATE/DIRECTORY 3-35  
   DEFINE/KEY 3-37  
   DELETE 3-40  
   DIRECTORY 3-43  
   DISPLAY 3-45  
   ERROR\_EXIT 3-47  
   EXIT 3-48  
   GET 3-49  
   HELP 3-53  
   LDIR 3-54  
   OPEN 3-55  
   PUT 3-59  
   PWD 3-64  
   QUOTE 3-65  
   REMOTEHELP 3-66  
   RENAME 3-67  
   SET

DEBUG  
   /CLASS 3-70  
 DEFAULT 3-72  
 SHOW STATUS 3-80  
 SITE 3-81  
 SPAWN 3-82  
 STRUCTURE 3-83  
 TYPE 3-84  
 USER 3-86

---

## G

GA 12-21, 12-54  
 GET 3-13  
 graphical user interface 3-6  
   method 3-4, 3-9, 3-14  
     from local to remote 3-14  
     from remote to local 3-14

---

## H

HASH 3-76  
 Hewlett-Packard documentation A-7  
 hosts, configuring 2-9

---

## I

IBM, supported models 12-4  
 IBM-to-OpenVMS keyboard map 12-13  
 information about licenses 1-xxi  
 insecure network 16-3  
 internet  
   newsgroup 1-xxi  
   TCP/IP protocol suite A-5  
 IP 12-21, 12-55  
 IPP  
   client G-7  
   network printing protocol G-7  
   print command option  
     COPIES 5-17  
     DOCUMENT\_FORMAT 5-18  
     FINISHING 5-18  
     JOB\_PRIORITY 5-18  
     MEDIA 5-19  
     MULTIPLE\_DOCUMENT\_HANDLING 5-18  
     NUMBER\_UP 5-18  
     ORIENTATION 5-18  
     PAGE\_RANGE 5-19  
     PRINTER 5-17  
     QUALITY 5-19  
     SIDES 5-17

print symbiont G-7

---

## K

### Kerberos

command reference 4-2

user command

GET TGT 4-1

REMOVE TICKETS 4-1

SET KERBEROS\_PASSWORD 4-1

SHOW TICKETS 4-1

### Kerberos user commands

GET TGT 4-3

REMOVE TICKETS 4-5

SET KERBEROS\_PASSWORD 4-6

SHOW TICKETS 4-7

key designations for three terminal types 3-37, 12-24

---

## L

### local system commands 3-22

DEFINE/KEY 3-22

HELP 3-22

LCD 3-22

LDIR 3-22

SET BELL 3-22

SET DEBUG 3-22

SET HASH 3-22

SET LOWERCASE 3-22

SET PASSIVE 3-22

SET VMS 3-22

SHOW STATUS 3-22

SPAWN 3-22

STRUCTURE 3-23

TYPE 3-23

LOCAL\_FLOW 12-21

LOCAL\_FLOW\_CONTROL 12-57

### logical

FTP\_STARTUP B-1

MULTINET\_SFTP\_FALLBACK\_TO\_CBT 17-7

MULTINET\_SFTP\_TRANSLATE\_VMS\_FILE\_TYPE  
S 17-8

NETCU\_STARTUP B-1

TCPWARE\_ACECLIENT\_PASSCODE\_TIME B-3

TCPWARE\_ACECLIENT\_CL B-2

TCPWARE\_ACECLIENT\_DATA\_DIRECTORY B-3

TCPWARE\_ACECLIENT\_ENABLE B-3

TCPWARE\_ACECLIENT\_NETWORK B-3

TCPWARE\_ACECLIENT\_REMO B-3

TCPWARE\_ACECLIENT\_SHR B-3

TCPWARE\_DOMAINLIST B-3

TCPWARE\_DOMAINNAME B-3

TCPWARE\_FTP\_220\_REPLY B-4

TCPWARE\_FTP\_221\_REPLY B-4

TCPWARE\_FTP\_230\_REPLY B-4

TCPWARE\_FTP\_421\_REPLY B-5

TCPWARE\_FTP\_ALL\_VERSIONS B-5

TCPWARE\_FTP\_ALLOWCAPTIVE B-6

TCPWARE\_FTP\_ANONYMOUS\_230\_REPLY B-6

TCPWARE\_FTP\_ANONYMOUS\_RIGHTS B-6

TCPWARE\_FTP\_ANONYMOUS\_ROOT B-6

TCPWARE\_FTP\_DISALLOW\_UNIX\_STYLE B-7

TCPWARE\_FTP\_DONT\_REPORT\_FILESIZE B-7

TCPWARE\_FTP\_EXTENSION\_QUANTITY B-7

TCPWARE\_FTP\_GETHOST\_MAX\_TIME B-7

TCPWARE\_FTP\_IDLE\_TIMEOUT B-7

TCPWARE\_FTP\_KEEP\_DIR\_EXT B-8

TCPWARE\_FTP\_LOG\_ALL\_USERS B-8

TCPWARE\_FTP\_LOGFILE B-8

TCPWARE\_FTP\_MAX\_SERVERS B-8

TCPWARE\_FTP\_MAXREC B-9

TCPWARE\_FTP\_MESSAGE\_FILE B-9

TCPWARE\_FTP\_ONLY\_BREAK\_ON\_CRLF B-9

TCPWARE\_FTP\_PASSWORD\_WARNING\_MESSA  
GE B-9

TCPWARE\_FTP\_PASSWORD\_WARNING\_TIME B  
-9

TCPWARE\_FTP\_RECEIVE\_THRESHOLD B-9

TCPWARE\_FTP\_RECODE\_NONVMS\_FILE\_NAME  
S B-10

TCPWARE\_FTP\_ROOT B-10

TCPWARE\_FTP\_SEMANTICS\_FIXED\_IGNORE\_C  
C B-11

TCPWARE\_FTP\_SEMANTICS\_VARIABLE\_IGNORE  
E\_CC B-11

TCPWARE\_FTP\_SERVER\_DATA\_PORT\_RANGE  
B-11

TCPWARE\_FTP\_SERVER\_LOG\_LIMIT B-11

TCPWARE\_FTP\_SERVER\_RELAXED\_PORT\_COM  
MAND B-11

TCPWARE\_FTP\_STRIP\_VERSION B-12

TCPWARE\_FTP\_SYST\_BANNER B-12

TCPWARE\_FTP\_UNIX\_STYLE\_BY\_DEFAULT B-  
12

TCPWARE\_FTP\_UNIX\_STYLE\_CASE\_INSENSITIV  
E B-12

TCPWARE\_FTP\_username\_ROOT B-10

TCPWARE\_FTP\_WINDOW B-13

TCPWARE\_KERBV4\_MAXAGE B-13

TCPWARE\_KERBV4\_PRIMARY B-13

TCPWARE\_KERBV4\_REALM B-13

TCPWARE\_KERBV4\_RLOGIN B-13

TCPWARE\_KERBV4\_RSHELL B-13

TCPWARE\_KERBV4\_SRV\_TYP B-13

TCPWARE\_KERBV4\_TELNET B-13

TCPWARE\_KERBV4\_TKFILE B-13

TCPWARE\_LPD\_DEFAULT\_USER B-13

TCPWARE\_LPD\_OPTIONS B-13

TCPWARE\_LPD\_qname\_\*\_FORM B-14

- 
- TCPWARE\_LPD\_qname\_\*\_PARAMETER B-14  
 TCPWARE\_LPD\_qname\_\*\_QUEUE B-14  
 TCPWARE\_LPD\_qname\_OPTION B-14  
 TCPWARE\_LPD\_SPOOL B-14  
 TCPWARE\_LPR\_PRINTER B-14  
 TCPWARE\_LPR\_qname\_PRINTER B-14  
 TCPWARE\_LPR\_qname\_PRINTER\_DEFAULT B-14  
 TCPWARE\_LPR\_QUEUES B-15  
 TCPWARE\_LPR\_SPOOL B-15  
 TCPWARE\_LPRSM B-15  
 TCPWARE\_NAMED\_MAX\_CACHE\_TTL B-15  
 TCPWARE\_NAMESERVERS B-15  
 TCPWARE\_NFS\_ACCESS\_IDENTIFIER B-15  
 TCPWARE\_NFS\_DFLT\_GID B-16  
 TCPWARE\_NFS\_DFLT\_UID B-16  
 TCPWARE\_NFS\_DIRLIFE\_TIMER B-16  
 TCPWARE\_NFS\_DIRREAD\_LIMIT B-16  
 TCPWARE\_NFS\_DIRTIME\_TIMER B-16  
 TCPWARE\_NFS\_DYNAMIC\_EXPORT B-16  
 TCPWARE\_NFS\_DYNAMIC\_PROXY B-17  
 TCPWARE\_NFS\_FILE\_CACHE\_SIZE B-17  
 TCPWARE\_NFS\_LOG\_CLASS B-17  
 TCPWARE\_NFS\_NOCHECKSUM B-17  
 TCPWARE\_NFS\_OPENFILE\_TIMER B-17  
 TCPWARE\_NFS\_PCNFSD\_DFLTPTOPT B-17  
 TCPWARE\_NFS\_PCNFSD\_ENABLE B-17  
 TCPWARE\_NFS\_PCNFSD\_JOB\_LIMIT B-18  
 TCPWARE\_NFS\_PCNFSD\_PRINTER B-18  
 TCPWARE\_NFS\_PCNFSD\_PRINTER\_LIMIT B-18  
 TCPWARE\_NFS\_PCNFSD\_SPOOL B-18  
 TCPWARE\_NFS\_PORT B-18  
 TCPWARE\_NFS\_SECURITY B-19  
 TCPWARE\_NFS\_TCP\_THREADS B-19  
 TCPWARE\_NFS\_UDP\_THREADS B-19  
 TCPWARE\_NFS\_XID\_CACHE\_SIZE B-19  
 TCPWARE\_PCNFSD\_DFLTPTOPT B-20  
 TCPWARE\_PPPD\_DEBUG\_LEVEL B-20  
 TCPWARE\_PPPD\_OPCOM\_LEVEL B-20  
 TCPWARE\_QUOTE B-20  
 TCPWARE\_RCMD\_FLAGS B-20  
 TCPWARE\_RCMD\_OUTPUT B-20  
 TCPWARE\_RES\_OPTIONS B-20  
 TCPWARE\_RES\_RETRANS\_MIN B-20  
 TCPWARE\_RES\_RETRIES B-21  
 TCPWARE\_SCP2\_CONNECT\_TIMEOUT 17-8  
 TCPWARE\_SCP2\_VMS\_MODE\_BY\_DEFAULT 17-8  
 TCPWARE\_SLIP\_ B-22  
 TCPWARE\_SSH\_SCP\_SERVER\_DEBUG 17-8  
 TCPWARE\_SSH\_SFTP\_SERVER\_DEBUG 17-9, B-21  
 TCPWARE\_SVCORDER B-27  
 TCPWARE\_TCLB\_BIAS B-28  
 TCPWARE\_TELNET\_WINDOW B-28  
 TCPWARE\_TELNETD\_DEFCHAR B-28  
 TCPWARE\_TELNETD\_FLAGS B-28  
 TCPWARE\_TELNETD\_INTRO\_MSG B-29  
 TCPWARE\_TELNETD\_NO\_FORCED\_HANGUP B-28  
 TCPWARE\_TIMED\_EXCLUDE B-29  
 TCPWARE\_TIMED\_INCLUDE B-29  
 TCPWARE\_TIMED\_MODE B-29  
 TCPWARE\_TIMEZONE B-29  
 TCPWARE\_TSSYM\_ B-30  
 TCPWARE\_TSSYM\_\*\_RETRY\_INTERVAL B-30  
 TCPWARE\_TSSYM\_\*\_TIMEOUT B-30  
 TCPWARE\_TSSYM\_qname\_RETRY\_INTERVAL B-30  
 TCPWARE\_TSSYM\_qname\_TIMEOUT B-30  
 TCPWARE\_VMSLPRSMB\_qname\_PRECONN B-30  
 TCPWARE\_VMSLPRSMB\_\*\_RETRY\_INTERVAL B-30  
 TCPWARE\_VMSLPRSMB\_\*\_TIMEOUT B-31  
 TCPWARE\_VMSLPRSMB\_qname\_RETRY\_INTERV AL B-30  
 TCPWARE\_VMSLPRSMB\_qname\_TIMEOUT B-30  
 UCX\$DEVICE B-31  
 UCX\$INET\_HOST B-31  
 UCX\$IPC\_SHR B-31  
 login interfaces 14-3  
 LOWERCASE 3-77  
 LPQ 5-6  
 LPR 5-8  
 LPRM 5-12
- 
- M**  
 mail, transferring 2-7  
 mailbox B-2  
 maintenance services 1-xxi  
 messages, exchanging 2-7  
 MULTINET SSHADD 16-32  
 MULTINET SSHAGENT 16-31  
 MULTINET SSHKEYGEN 16-28  
 MULTINET\_SFTP\_RETURN\_ALQ 17-8  
 MULTINET\_SSH\_SFTP\_SERVER\_DEBUG 17-9, B-21
- 
- N**  
 network  
   drives, accessing 2-8  
   functions, controlling 2-10  
   interfaces, programming 2-16  
   print services command  
     LPQ 5-2  
     LPR 5-2

- LPRM 5-2
- PRINT 5-2
- programming interfaces
  - FTP library 2-16
  - QIO programming interfaces 2-16
  - SNMP extendible agent 2-17
  - socket library 2-16
  - TELNET library 2-16
  - token authentication ACE/Client API functions 2-17
  - UCX compatibility services 2-16
- testing tools
  - FINGER 2-11
  - IDENT 2-11
  - NSLOOKUP 2-11
  - PING 2-12
  - TCPDUMP utility 2-12
  - TRACEROUTE 2-12
  - WHOIS 2-12
- network print services 5-2
- FTP commands
  - SET 3-69
    - 3-76, 3-77, 3-78, 3-79
- IPP
  - print command option 5-18
- SFTP2 qualifiers
  - / 17-12
- TELNET
  - command reference
    - SET 12-21
- TELNET commands
  - SET
    - 12-39, 12-41, 12-42, 12-43, 12-44, 12-48, 12-49, 12-50, 12-52, 12-53, 12-54, 12-55, 12-57, 12-62
- NTA device
  - creating a permanent 12-9
  - handling a broken connection 12-10

---

## O

- online help 1-xx
- OpenVMS
  - character sets 12-16
  - mail
    - addresses, specifying 10-1
    - host alias, specifying 10-3
    - individual aliases, specifying 10-3
    - to folders, delivering 10-4
    - under ALL-IN-1, using 10-4
    - user-defined headers 10-4
    - using across network 10-1

---

## P

- PASSCODE 14-2
- PASSIVE 3-78
- passphrase 16-32, 16-33
  - forgotten 16-27
  - lost 16-27
- PDP-11
  - operating systems 1-8
  - TCPware for
    - IAS 1-8
    - RSX 1-8
    - RT-11 1-8
    - TSX 1-8
- PIN 14-2
  - creating your own 14-6
- port forwarding
  - definition 16-21
- PRINT 5-14
  - qualifiers 5-4
- print queues 5-21
- public-key cryptography 16-4
- PUT 3-13
- pwdlifetime B-27

---

## R

- RCD client 6-1
- RCD/RMT command
  - RMTSETUP 6-3
- RCP command
  - RCP 7-3
- reader's comments 1-xxi
- RekeyIntervalSeconds 16-12
- remote
  - filesystem access 2-1
  - hosts, logging in to 2-5
  - system commands
    - CD 3-23
    - DELETE 3-23
    - DIR 3-23
    - ls 3-23
    - LIST 3-23
    - MKDIR 3-23
    - PWD 3-23
    - QUOTE 3-23
    - REMOTEHELP 3-23
    - RENAME 3-23
    - SITE 3-23
    - USER 3-23
- remote login program
  - host-based authentication 16-3
  - password authentication 16-5
  - public-key authentication 16-4



RemoteForward 16-12  
 Requests for Comments (RFCs) A-1  
 RFCs, implemented by TCPware for OpenVMS A-2  
 RLOGIN 8-3  
   commands 8-3  
 RMT client 6-1  
 RSA authentication 16-32  
 RSA authentication identity 16-33  
 RSA-based authentication 16-4  
 RSA-based host authentication 16-4  
 RSH command  
   RSH 9-2

---

## S

SCP  
   qualifiers 17-3, 17-11  
 SCP switch  
   BATCH 17-3  
   CIPHER 17-3  
   COMPRESS 17-3  
   DEBUG 17-3  
   DIRECTORY 17-3  
   HELP 17-3  
   IDENTITY\_FILE 17-3  
   NOPROGRESS 17-3  
   PORT 17-3  
   PRESERVE 17-3  
   QUIET 17-3  
   RECURSIVE 17-3  
   REMOVE 17-4  
   TRANSLATE\_VMS 17-4  
   VERBOSE 17-4  
   VERSION 17-4  
   VMS 17-4  
 SCP2 16-31  
   command syntax and qualifiers 17-2  
 SCP2 qualifier  
   /BATCH 17-4  
   /CIPHER 17-5  
   /COMPRESS 17-5  
   /DEBUG 17-5  
   /DIRECTORY 17-5  
   /HELP 17-5  
   /IDENTITY\_FILE 17-5  
   /NOPROGRESS 17-6  
   /PORT 17-5  
   /PRESERVE 17-5  
   /QUIET 17-6  
   /RECURSIVE 17-6  
   /REMOVE 17-6  
   /TRANSLATE\_VMS 17-6  
   /VERBOSE 17-6  
   /VERSION 17-7

  /VMS 17-7  
 SCP-SERVER1 17-2  
 secure shell  
   configuration files 16-23  
 Secure Shell (SSH)  
   server 2-15  
 secure shell client 16-3  
 SecurID token  
   logging in with 14-4  
   type, identifying the 14-2  
   user responsibilities 14-4  
 SendNOOPackets 16-12  
 SET  
   DEBUG  
     class keyword  
       ALL 12-46  
       NETINPUT 12-46  
       NETOUTPUT 12-46  
       NONE 12-46  
       OPTIONS 12-46  
       TTYINPUT 12-46  
     TRANSLATION  
       keyword  
         CR 12-61  
         LF 12-61  
         NONE 12-61  
 SFTP2 command  
   ASCII 17-13  
   AUTO 17-13  
 SFTP2 commands  
   BINARY 17-13  
   BUFFERSIZE 17-13  
   CD 17-14  
   CLOSE 17-14  
   DEBUG 17-14  
   DELETE 17-14  
   DIRECTORY 17-14  
   EXIT 17-14  
   GET 17-15  
   GETEXT 17-15  
   HELP 17-15  
   LCD 17-15  
   LDELETE 17-15  
   LDIRECTORY 17-15  
   LLS 17-16  
   LMKDIR 17-16  
   LOCALOPEN 17-16  
   LPWD 17-16  
   LREADLINK 17-16  
   LRENAME 17-16  
   LRM 17-16  
   LRMDIR 17-16  
   LS 17-17  
   LSROOTS 17-17  
   LSYMLINK 17-17  
   MGET 17-18

- MKDIR 17-18
- MPUT 17-18
- OPEN 17-18
- PUT 17-18
- PWD 17-19
- QUIT 17-19
- READLINK 17-19
- RENAME 17-19
- RM 17-19
- RMDIR 17-19
- SETEXT 17-19
- STATUS 17-19
- SYMLINK 17-19
- VERBOSE 17-20
- VMS 17-20
- SFTP2 qualifiers
  - /BATCHFILE 17-11
  - /BUFFER\_SIZE 17-11
  - /CIPHER 17-11
  - /COMPRESS 17-11
  - /CONCURRENT\_REQUEST 17-11
  - /DEBUG 17-11
  - /HELP 17-11
  - /MAC 17-11
  - /NOPROGRESS 17-11
  - /VERSION 17-12
  - VERBOSE 17-12
- sftp2 qualifiers
  - /PORT 17-12
- SITE
  - SHOW TIME 3-18
  - SPAWN 3-18
- site-specific commands 3-18
  - issuing 3-18
- SMTP
  - logicals
    - A1\_NAME B-23
    - ACCEPT\_UNIX\_LF B-23
    - ALLOW\_USER\_FROM B-23
    - ALLOW\_VIRTUAL\_DOMAIN B-23
    - AM\_DOMAIN B-23
    - AM\_NAME B-23
    - APPEND\_FORWARDER\_TO\_MX B-23
    - BATCH\_QUEUE B-23
    - DECNET\_DOMAIN B-24
    - DELIVERY\_RECEIPTS B-24
    - DISABLE\_DELIVERY\_RECEIPT\_DISCLAIMER B-24
    - DISABLE\_FOLDER\_DELIVERY B-24
    - DISABLE\_PSMAIL B-24
    - ENVELOPE\_FROM\_HOST B-24
    - FORWARDER B-24
    - FROM\_HOST B-24
    - HEADER\_ORG B-24
    - HEADER\_RETURN\_RECEIPT\_TO B-24
    - HEADER\_SYS B-24
    - HOST\_ALIAS\_FILE B-24
    - HOST\_NAME B-25
    - LOCALDOMAIN B-23
    - MAXIMUM\_822\_TO\_LENGTH B-25
    - MRGATE\_NAME B-25
    - NAMESERVERS B-23
    - NO\_USER\_REPLY\_TO B-25
    - NON\_LOCAL\_FORWARDER B-25
    - POSTMASTER B-25
    - REJECT\_INVALID\_DOMAINS B-25
    - REPLY\_TO B-25
    - RESENT\_HEADERS B-25
    - RETRY\_INTERVAL B-25
    - RETURN\_INTERVAL B-25
    - RETURN\_MSG B-26
    - RETURN\_RECEIPT\_TO\_HEADER\_ENABLE B-26
    - SEND\_CLASS B-26
    - SERVER\_DISABLE\_VRFYEXPN B-26
    - SERVER\_LOG B-26
    - SERVER\_RCPT\_CHECK\_HOST B-26
    - SERVER\_REJECT\_FILE B-26
    - SERVER\_REJECT\_INFO B-26
    - SMTP\_LOG B-25
    - SUPPRESS\_VENDOR B-26
    - SYMBIONT\_LOG B-26
    - SYMBIONT\_PURGWS\_TIMER B-26
    - VMSMAIL\_HEADER\_CONTROL B-27
    - VMSMAIL\_LOCASE\_USERNAME B-27
    - VMSMAIL\_NO\_EXQUOTA B-28
    - VMSMAIL\_REPLY\_CONTROL B-28
    - VMSMAIL\_USE\_RFC822\_TO\_HEADER B-28
    - WINDOW\_SIZE B-26
  - SNMP
    - logical
      - DEBUG B-27
  - spoofing
    - DNS 16-4
    - IP 16-4
      - routing 16-4
  - SSH
    - authentication agent 16-31
    - break-in and intrusion detection 16-5
    - command options 16-7
    - host-based authentication example 16-15
    - logicals
      - ALLOW\_EXPIRED\_PW B-27
      - ALLOW\_PREEXPIRED\_PW B-27
      - KEYGEN\_MIN\_PW\_LEN B-27
      - PARAMETERS B-27
      - SSH\_DIR B-1
      - SSH\_EXE B-2
      - SSH\_LOG B-2
      - SSH\_MAX\_SESSIONS B-2
      - SSH\_TERM\_MBX B-2

- USE\_SYSGEN\_LGI B-27
  - public-key authentication example 16-16
  - server system authentication 16-3
  - session termination 16-6
  - X11 forwarding 16-6
  - SSH command
    - ALLOW\_REMOTE\_CONNECT 16-7
    - CIPHER 16-7
    - COMPRESSION 16-7
    - DEBUG 16-7
    - ESCAPE\_CHARACTER 16-7
    - LOCAL\_FORWARD 16-7
    - LOG\_FILE 16-7
    - NO\_AGENT\_FORWARDING 16-8
    - OPTION 16-7
    - PORT 16-7
    - REMOTE\_FORWARD 16-7
    - VERSION 16-8
  - SSH files
    - CONFIG. 16-23
    - HOSTS.EQUIV 16-26
    - IDENTITY 16-24
    - IDENTITY. 16-23
    - IDENTITY.PUB 16-24
    - KNOWN\_HOSTS 16-25
    - RANDOM\_SEED. 16-25
    - RHOSTS 16-26
    - SHOSTS 16-26
    - SSH\_KNOWNHOSTS\_DIR 16-27
    - SSH2\_DIR
      - SSH2\_CONFIG 16-26
  - SSH\_DIR
    - RHOSTS 16-26
    - SHOSTS 16-26
  - SSH\_SCP\_SERVER\_DEBUG B-2
  - SSH2
    - client configuration 16-6
    - client keyword
      - AllowedAuthentication 16-8
      - AuthenticationNotify 16-8
      - AuthorizationFile 16-9
      - BatchMode 16-9
      - Ciphers 16-9
      - ClearAllForwardings 16-9
      - Compression 16-9
      - DebugLogFile 16-9
      - DefaultDomain 16-9
      - EscapeChar 16-9
      - ForwardAgent 16-9
      - ForwardX11 16-9
      - GatewayPorts 16-9
      - Host 16-9
      - HostCA 16-10
      - HostCAnoCRLs 16-10
      - IdentityFile 16-10
      - KeepAlive 16-10
      - LdapServers 16-11
      - LocalForward 16-11
      - Macs 16-11
      - NoDelay 16-11
      - NumberOfPasswordPrompts 16-11
      - PasswordPrompt 16-11
      - Port 16-11
      - QuietMode 16-11
      - RandomSeedFile 16-12
      - RekeyIntervalSeconds 16-12
      - RemoteForward 16-12
      - SendNOPackets 16-12
      - StrictHostKeyChecking 16-12
      - User 16-12
      - VerboseMode 16-12
  - SSh2
    - client keyword
      - Compression 16-9
      - DebugLogFile 16-9
  - SSHADD 16-32
  - SSHADD option
    - LIST 16-32
    - PURGE 16-32
  - SSHAGENT 16-31
    - authentication agent 16-32
    - authentication private keys 16-31
  - SSHKEYGEN 16-27, 16-33
    - file
      - IDENTITY 16-33
      - IDENTITY.PUB 16-33
      - RANDOM\_SEED 16-33
  - SSH-OpenVMS 1-3
  - startup command file 3-16
  - StrictHostKeyChecking 16-12
  - STRUCTURE
    - command keyword value
      - FILE 3-83
      - RECORD 3-83
      - VMS 3-83
  - symbiont print queues 5-21
  - symbolic links in UNIX systems 3-14
  - system-generated PIN, receiving a 14-6
- 
- T**
- TALK
    - using 11-1
  - TALK command
    - TALK 11-4
  - TCP/IP services
    - cluster load balancing 1-5
    - database support 1-5
    - DECnet over IP 1-5
    - DECwindows 1-5
    - interface support 1-6

- multicasting 1-6
- network management 1-7
- network security 1-7
- other clients and servers 1-7
- PATHWORKS support 1-7
- routing 1-8
- TCPWARE B-5, B-8
- TCPware
  - family members 1-3
    - FTP-OpenVMS 1-3
    - NFS-OpenVMS client 1-3
    - NFS-OpenVMS server 1-3
    - SMTP-OpenVMS 1-3
    - TCP-OpenVMS 1-4
    - TELNET-OpenVMS 1-3
  - for OpenVMS 1-3
    - documentation A-1
  - Secure Shell (SSH) client 16-1
- TCPWARE\_FTP\_MAX\_PRE\_ALLOCATION 3-23
- TCPWARE\_FTP\_USE\_SRI\_ENCODING\_ON\_ODS5 B-12
- TCPWARE\_FTP\_username\_ROOT logical B-10
- TCPWARE\_SCP\_VMS\_MODE\_BY\_DEFAULT B-21
- TCPWARE\_SFTP\_FALLBACK\_TO\_CBT B-21
- TCPWARE\_SFTP\_RETURN\_ALQ 17-8, B-22
- TCPWARE\_SFTP\_TRANSLATE\_VMS\_FILE\_TYPES B-22
- TCPWARE\_SSH\_SCP\_SERVER\_DEBUG B-2
- TCPWARE\_SSH\_SFTP\_SERVER\_DEBUG B-2
- telephone 1-xxi
- TELNET
  - closing a session 12-5
  - command reference
    - CLOSE 12-21
    - DEFINE/KEY 12-21
    - EXIT 12-21
    - FLUSH 12-21
    - HELP 12-21
    - OPEN 12-21
    - RESUME 12-21
    - SEND 12-21
    - SET DEBUG 12-21
    - SET DELETE\_ALLOWED 12-21
    - SET LOG 12-21
    - SET PRINT 12-21
    - SET TERMINAL\_TYPE 12-21
    - SET TRANSLATION 12-21
    - SHOW OPTIONS 12-21
    - SHOW STATUS 12-21
    - SHOW TRANSLATION 12-21
    - SPAWN 12-21
  - command synonym
    - BYE 12-21
    - CONNECT 12-21
    - DISCONNECT 12-21
    - ESCAPE 12-21
    - QUIT 12-21
    - SET HOST 12-21
    - STATUS 12-21
    - Z 12-21
  - control function
    - AO 12-37
    - AYT 12-37
    - BACKWARD 12-37
    - BRK 12-37
    - EC 12-37
    - EL 12-37
    - ESCAPE 12-37
    - FORWARD 12-37
    - GA 12-37
    - IP 12-37
    - NOIP 12-37
    - SYNCH 12-37
  - issuing local commands 12-6
  - login sequence 14-4
  - opening a session 12-2
  - preparation 12-1
  - running applications over 12-7
  - sample session 12-19
  - startup command file 12-10
- TELNET commands
  - CLOSE 12-22
  - DEFINE/KEY 12-24
  - EXIT 12-27
  - FLUSH 12-28
  - HELP 12-29
  - OPEN 12-30
  - RESUME 12-36
  - SEND 12-37
  - SET
    - DEBUG 12-46
    - DELETE\_ALLOWED 12-47
    - LOG 12-58
    - PRINT 12-59
    - TERMINAL\_TYPE 12-60
    - TRANSLATION 12-61
  - SHOW
    - OPTIONS 12-63
    - STATUS 12-64
    - TRANSLATION 12-65
  - SPAWN 12-66
- TELNET sessions 16-21
- TFTP
  - command
    - CONNECT 13-1
    - GET 13-1
    - HELP 13-1
    - MODE 13-1
    - PUT 13-1
    - QUIT 13-1
    - REXMT 13-1
    - STATUS 13-1

---

    TIMEOUT 13-1  
    TRACE 13-1  
invoking 13-1  
UNIX-to-VMS filename conversions 13-4, 13-7  
TFTP commands  
    CONNECT 13-3  
    GET 13-4  
    HELP 13-5  
    MODE 13-6  
    PUT 13-7  
    QUIT 13-8  
    REXMT 13-9  
    STATUS 13-10  
    TIMEOUT 13-11  
    TRACE 13-13  
ticket file location logical 4-1  
time clocks, synchronizing 2-11  
TN3270  
    graphics keypad naming conventions 12-17  
    internationalization 12-14  
        character sets 12-16  
    keyboard mapping 12-12  
        alternative key mappings 12-13  
    keypad graphics characters 12-17  
    opening a session 12-3  
    screen printing and dumping 12-17  
tokencode 14-2  
transfer qualifiers (positional) 3-31  
TryEmptyPassword 16-12  
tunneling 16-21  
TYPE  
    command keyword value  
        ASCII 3-84  
        BINARY 3-84  
        BLOCK 3-85  
        DEFAULT 3-85  
        FORTRAN 3-85  
        IMAGE 3-85  
        VARIABLE 3-85

---

## U

unsecure connections 16-21  
untrusted hosts 16-3  
User 16-12

---

## V

VerboseMode 16-12  
VMS 3-79, 17-12  
    print symbiont 5-16  
VMS\_PLUS 3-46  
VMSLPR Symbiont 5-16

---

## W

WHOIS 15-1  
World Wide Web 1-xxi

---

## X

Xauthority data 16-6  
XDISPLOC 12-21, 12-62



## Guide to Abbreviations

**IG** — *TCPware Installation and Configuration*

**MG** — *TCPware Management Guide*

**NET** — *NETCU Command Reference*

**PG** — *TCPware Programmer's Guide*

**UG** — *TCPware User's Guide*

---

### A

abandoned leases MG 4-57

ACCEPT

argument for PG 3-9

description for PG 3-9

format for PG 3-9

status for PG 3-10

accept subroutine, Socket Library PG 21-12

ACCEPT-WAIT

description for PG 3-8

format for PG 3-8

status for PG 3-9

Access Control List (ACL) MG 12-34, MG 14-13

applying to executables (FTP) MG 12-34

NFS file protection MG 14-10, MG 14-13, MG 14-16

Access restrictions

incoming MG 20-1

access restrictions

incoming MG 19-3, MG 20-1

ADD ACCESS command MG 20-1

ADD SERVICE command MG 20-1

MODIFY SERVICE command MG 20-2

REMOVE ACCESS command MG 20-2

SHOW ACCESS command MG 20-2

outgoing MG 19-3, MG 20-3

SET NOOUTGOING command MG 20-5

SET OUTGOING command MG 20-5

SHOW OUTGOING command MG 20-5

ACCOUNTING.H MG 12-11

ACEMAIN\_CL utility MG 22-6

ACE/Client, definition UG 14-1

ACL types

ADD NET 2-82

MODIFY NET 2-82

SHOW NET 2-82

ADD ACCESS\_LIST MG 20-2

ADD ACE\_USER command, NETCU MG 22-7

ADD command

ACCESS\_LIST NET 2-2

ACE\_USER NET 2-4

ARP NET 2-6

EXPORT NET 2-8

GATEWAY NET 3-2

GROUP NET 2-11

KACL NET 2-13

KDB NET 2-15

KERBEROS USER NET 2-17

LOCAL-DOMAIN NET 3-3

MULTICAST\_GROUP NET 1-3, NET 2-18

PROXY NET 2-19

QUEUE-GROUP NET 3-4

ROUTE NET 2-21

SECONDARY NET 2-23

SERVICE NET 2-24

internal action routines NET 2-26

create\_rservice NET 2-26

create\_rservice\_kerberos NET 2-26

create\_rservice\_secure NET 2-26

create\_server\_process NET 2-26

create\_telnet\_session NET 2-26

ident\_protocol NET 2-26

port\_mapper\_server NET 2-27

report\_tcb\_metric NET 2-27

time\_protocol NET 2-27

options

HANDOFF NET 2-26

KEEPALIVE NET 2-26

MULTITHREADED NET 2-26

NONE NET 2-26

SHARE NET 2-26

protocol values NET 2-24

BG\_TCP NET 2-24

BG\_UDP NET 2-24

STREAM, DGRAM NET 2-24

TCP NET 2-24

UDP NET 2-24

additional documentation UG 18-6

address

DTE MG 8-3

IP of host, X.25 MG 8-4, MG 8-6

national, DNIC MG 8-3, MG 8-11

X.25 MG 8-3, MG 8-4, MG 8-6

ADDRESS command

X.25 mapping database MG 8-7, MG 8-11

Address Resolution Protocol (ARP) NET 1-2

displaying packets using TCPDUMP MG 32-28

mode

gateway capability MG 9-4

nonlocal internet address MG 9-4

NETCU commands NET 1-2

Address (A) record, DNS MG 3-20

AFS database (AFSDB) record, DNS MG 3-21

AgentX peers MG 7-15

AIDA

configuring HP's IG 5-12

Ancillary Control Process (ACP) MG 13-17, MG 13-21,  
MG 13-33

- anonymous
    - user access UG 3-16
    - users UG 3-15
  - ANSI printer MG 15-16
  - AO UG 12-21, UG 12-39
  - API functions
    - closing socket PG 11-11
    - initializing client/server communication PG 11-5
    - performing all user input/output PG 11-6
    - performing the New PIN operation PG 11-10
    - performing the Next Code operation PG 11-9
    - performing user authentication PG 11-7
    - reading ACE/Server configuration PG 11-4
  - APPEND command qualifier MG 12-34
  - Application Programming Interface (API) routines PG 10-1
  - application programs, writing PG 1-18
  - Aspath Clause MG 9-66
  - asynchronous
    - server, writing PG 13-5
    - system traps PG 13-6
    - transports, using PG 13-5
  - Attributes Data File (ADF) MG 13-20
  - auth\_destroy, RPC RTL PG 16-3
  - authentication agent connection MG 25-3, MG 26-3
  - authentication private keys UG 16-31
  - authnone\_create, RPC RTL PG 16-4
  - AUTHORIZATION MG 26-25
  - AUTHORIZE utility (OpenVMS), Client NFS MG 13-4
  - AUTHORIZED\_KEYS MG 25-18
  - authunix\_create\_default, RPC RTL PG 16-6
  - authunix\_create, RPC RTL PG 16-5
  - Autonomous System (AS) MG 9-19
  - AYT UG 12-21, UG 12-41
  - shell service, customizing MG 16-4
  - troubleshooting MG 16-5
  - security MG 19-9
  - Berkeley R commands
    - configuring the IG 4-48
  - BG\_RAW parameters and values NET 2-96
    - RECEIVE NET 2-96
    - SEND NET 2-96
  - BG\_TCP parameters and values NET 2-96
    - DROP\_TIMER NET 2-96
    - PROBE\_TIMER NET 2-96
    - RECEIVE NET 2-96
    - SEND NET 2-96
  - BG\_UDP parameters and values NET 2-96
    - RECEIVE NET 2-96
    - SEND NET 2-96
  - BGDRIVER\_TCP\_CLIENT.C file PG 2-4
  - BGDRIVER\_TCP\_SERVER.C file PG 2-4
  - BGDRIVER\_UDP\_CLIENT.C file PG 2-4
  - BGDRIVER\_UDP\_SERVER.C file PG 2-4
  - Bigendian PG 1-5
  - BINARY UG 12-21, UG 12-43
  - BIND MG 25-12
  - bind subroutine, Socket Library PG 21-16
  - BOOTP server MG 4-1
    - BOOTP relay agent MG 4-2
  - Border Gateway Protocol (BGP) MG 9-45
  - break-in MG 26-4
  - BRK UG 12-21, UG 12-44
  - BSD socket data PG 1-14
  - bzero function, Socket Library PG 21-18
- 
- ## C
- C socket library PG 8-1
  - callrpc, RPC RTL PG 16-7
  - Canonical name (CNAME) record, DNS MG 3-22
  - CAPTIVE accounts, using FTP MG 12-18
  - carrier, X.25 MG 8-6, MG 8-11
  - CCB\_UFLAGS bits PG 9-4
  - CERTENROLL UG 16-33
  - CERT, reporting security violations MG 19-2
  - Challenge Handshake Authentication Protocol (CHAP) MG 5-6
  - CHAP
    - Challenge Handshake Authentication Protocol MG 5-6
  - CHARGEND service MG 32-2
  - CHECK GATED CONFIGURATION command NET 2-30
  - churn MG 9-45
  - cipher
    - 3DES MG 25-2
    - ARCFOUR MG 25-2
    - BLOWFISH MG 25-2



# TCPware Master Index

- DES MG 25-2
- IDEA MG 25-2
- class keyword
  - ALL UG 3-70
  - COMMANDS UG 3-70
  - NONE UG 3-70
  - PERFORMANCE UG 3-70
  - REPLIES UG 3-70
- ClearAllForwardings UG 16-9
- client classes MG 4-12
- client mount commands MG 13-14
- client-FTP file transfer formats UG 3-11
  - BLOCK UG 3-12
  - formatted ASCII UG 3-11
  - formatted binary UG 3-11
  - FORTRAN UG 3-12
  - IMAGE UG 3-12
  - VMS UG 3-12
- clnt\_broadcast, RPC RTL PG 16-8
- clnt\_call, RPC RTL PG 16-10
- clnt\_control, RPC RTL PG 16-11
- clnt\_create, RPC RTL PG 16-13
- clnt\_destroy, RPC RTL PG 16-15
- clnt\_freeres, RPC RTL PG 16-16
- clnt\_geterr, RPC RTL PG 16-17
- clnt\_pcreateerror, RPC RTL PG 16-18
- clnt\_perrno, RPC RTL PG 16-19
- clnt\_perror, RPC RTL PG 16-20
- clnt\_spcreateerror, RPC RTL PG 16-18
- clnt\_sperrno, RPC RTL PG 16-19
- clnt\_sperror, RPC RTL PG 16-20
- clntraw\_create, RPC RTL PG 16-21
- clnttcp\_create, RPC RTL PG 16-23
- clntudp\_bufcreate, RPC RTL PG 16-25
- clntudp\_create, RPC RTL PG 16-25
- Cluster alias failover MG 6-1
- cluster alias failover MG 6-1
  - limitations MG 6-3
  - operation MG 6-1
  - setting up MG 6-2
- cluster name in the NAMED.HOSTS File MG 3-43
- CNAME records MG 3-22
- CNFNET
  - starting IG 3-4
- CNFNET procedure IG 3-1
- command line method UG 3-4, UG 3-8
- command method
  - menu-driven IG 3-3
- command reference UG 3-20
  - ACCOUNT UG 3-21
  - CLOSE UG 3-21
  - COPY UG 3-21
  - CREATE/DIR UG 3-21
  - DEFINE/KEY UG 3-21
  - DELETE UG 3-21
  - DIRECTORY UG 3-21
  - DISPLAY UG 3-21
  - ENABLE VMS\_PL UG 3-21
  - ERROR\_EXIT UG 3-21
  - EXIT UG 3-21
  - GET UG 3-21
  - HELP UG 3-21
  - LDIR UG 3-21
  - OPEN UG 3-21
  - PUT UG 3-21
  - PWD UG 3-21
  - QUOTE UG 3-21
  - REMOTEHELP UG 3-21
  - RENAME UG 3-21
  - SET BELL UG 3-21
  - SET DEBUG UG 3-21
  - SET DEFAULT UG 3-21
  - SET HASH UG 3-21
  - SET LOWERCASE UG 3-21
  - SET PASSIVE UG 3-21
  - SET STATUS UG 3-21
  - SET VMS UG 3-21
  - SITE UG 3-21
  - SPAWN UG 3-21
  - STRUCTURE UG 3-21
  - TYPE UG 3-21
  - USER UG 3-21
- command-driven option
  - @TCPWARE
    - CNFNET TCP IG 3-3
  - BASIC IG 3-3
  - FULL IG 3-3
  - PRODUCT IG 3-3
  - TCP IG 3-3
  - TCPWARE IG 3-3
- command-driven option choices IG 3-3
- communication endpoint
  - internet addresses PG 1-4
  - naming PG 1-4
  - port numbers PG 1-4
- Compaq WAN Line Configuration Options NET 2-189
- component shutdown menu IG 5-6
- component startup menu IG 5-5
- components for
  - access to network filesystem
    - NFS-OpenVMS Client UG 2-2
    - NFS-OpenVMS Server UG 2-2
  - accessing network tape drives
    - RCD client UG 2-9
    - RMT client UG 2-8
    - RMT service UG 2-9
  - additional management
    - Network Control Utility (NETCU) UG 2-10
    - Simple Network Management Protocol (SNMP) services UG 2-10
- configuring hosts
  - DHCP/BOOTP UG 2-9

- Domain Name Services UG 2-9
- Point-to-Point Protocol (PPP) UG 2-10
- Serial Line IP (SLIP) protocol UG 2-10
- logging in to remote hosts
  - RLOGIN UG 2-5
  - RSH UG 2-5
  - TELNET-OpenVMS UG 2-6
- network printing
  - line printer services UG 2-4
  - terminal server print services UG 2-4
- securing network resources
  - incoming access restrictions UG 2-13
  - IP Security Option (IPSO) UG 2-14
  - Kerberos authentication for
    - RCP UG 2-13
    - RLOGIN UG 2-14
    - RSH UG 2-14
    - TELNET UG 2-14
  - Kerberos server UG 2-13
  - outgoing access restrictions UG 2-13
  - packet filtering UG 2-13
  - secure shell (SSH) UG 2-15
  - token authentication UG 2-14
- sending network mail
  - IMAP server UG 2-7
  - POP3 server UG 2-7
  - SMTP-OpenVMS UG 2-7
  - TALK utility UG 2-8
- time synchronization
  - Network Time Protocol UG 2-11
  - TIMED UG 2-11
- transferring network files
  - FTP-OpenVMS UG 2-3
  - RCP UG 2-3
  - TFTP UG 2-3
- tunneling applications over IP
  - tunneling DECnet over IP UG 2-15
- Compression UG 16-9
- conditional behavior MG 4-15
- configuration
  - DECnet over IP tunnels MG 29-2
  - IP-over-X.25 MG 8-1
  - Terminal Server Print Services MG 15-18
  - VAX P.S.I., X.25 MG 8-6
- Configuration Menu IG 5-4
- configuration method
  - command-driven IG 3-3
- configuration process
  - starting the IG 3-3
- connect subroutine, Socket Library PG 21-19
- Connection Control Block (CCB) PG 7-2, PG 7-3
  - fields
    - CCB\_ASTRTN PG 9-3
    - CCB\_CHAN PG 9-3
    - CCB\_CMDRTN PG 9-3
    - CCB\_EF PG 9-3
    - CCB\_ISOPEN PG 9-3
    - CCB\_LIA PG 9-3
    - CCB\_LPORT PG 9-3
    - CCB\_RCVBCNT PG 9-3
    - CCB\_RCVBCT PG 9-3
    - CCB\_RCVIOC PG 9-3
    - CCB\_RIA PG 9-4
    - CCB\_RPORT PG 9-4
    - CCB\_SNDBCNT PG 9-4
    - CCB\_SNDBCT PG 9-4
    - CCB\_SNDIOC PG 9-4
    - CCB\_TIMO PG 9-4
    - CCB\_UFLAGS PG 9-4
    - FTP\_CCB\_DC\_CHAN PG 7-3
    - FTP\_CCB\_DC\_PN PG 7-3
    - FTP\_CCB\_FILENAME PG 7-4
    - FTP\_CCB\_FOR\_IA PG 7-4
    - FTP\_CCB\_FOR\_PN PG 7-4
    - FTP\_CCB\_FX\_TYPE PG 7-4
    - FTP\_CCB\_LOC\_IA PG 7-4
    - FTP\_CCB\_LOC\_PN PG 7-4
    - FTP\_CCB\_LOGGED\_IN PG 7-4
    - FTP\_CCB\_NETCHAN PG 7-4
    - FTP\_CCB\_NODENAME PG 7-4
    - FTP\_CCB\_OPENED PG 7-4
    - FTP\_CCB\_PASSWORD PG 7-4
    - FTP\_CCB\_PASV PG 7-4
    - FTP\_CCB\_RPLCOD PG 7-4
    - FTP\_CCB\_RPLLEN PG 7-4
    - FTP\_CCB\_RPLTXT PG 7-4
    - FTP\_CCB\_STAT\_BYTES PG 7-4
    - FTP\_CCB\_STAT\_SECONDS PG 7-4
    - FTP\_CCB\_STATUS PG 7-4
    - FTP\_CCB\_STRU PG 7-5
    - FTP\_CCB\_USERNAME PG 7-5
  - TELNET library PG 9-2
- connectionless service PG 1-3
- connection-oriented services PG 1-2
- control functions MG 18-7
- COPY UG 3-13
- COUNTRY specification
  - format of IG 3-15
- creadcfg function, ACE/Client API PG 11-4
- CREATE ACE\_USER\_DATABASE command,  
NETCU MG 22-7
- CREATE command
  - ACE\_USER\_DATABASE NET 2-31
  - EXPORT NET 2-32
  - GROUP NET 2-33
  - KDB NET 2-34
  - PROXY NET 2-35
  - SRVTAB NET 2-36

# TCPware Master Index

---

## D

- data
  - encoding schemes PG 1-5
  - exchange PG 1-5
  - representation PG 1-5
- Data Network Identification Code (DNIC) MG 8-3, MG 8-6, MG 34-1
- Data network identification code (DNIC)
  - list MG 34-1
- Data Terminal Equipment (DTE), characteristics MG 8-17
- database, mapping MG 8-4
- datagram
  - client, writing PG 1-20
  - forwarding MG 9-4
  - over X.25 MG 8-1
  - server, writing PG 1-21
- daylight savings time support IG 3-13
- DAYTIMED service MG 32-2
- DEBUG NET 2-118
- DEBUG command NET 1-14
- DEBUG/IP command NET 2-38
- DEBUG/TCP command NET 2-40
- DEBUG/UDP command NET 2-43
- declarations MG 4-7, MG 4-8
- DECnet over IP MG 29-1
  - DNIPDRIVER MG 29-2
  - lines, using MG 29-2
  - troubleshooting MG 29-3
  - tunneling MG 29-1
  - tunnels
    - configuring MG 29-2
    - showing status MG 29-3
    - shutting down MG 29-3
    - starting MG 29-3
- DECnet over IP tunnels
  - configuring the IG 4-12
- DECnet-to-SMTP mail MG 17-40
- DECnet/OSI, outgoing access restrictions MG 20-5
- DECwindows
  - applications
    - displaying
      - local on remote host MG 31-2
      - remote on local host MG 31-3
  - security MG 19-11
  - transport interface MG 31-1
    - configuring MG 31-1
  - troubleshooting MG 31-4
- default gateway
  - defining the IG 3-12
- default remote printer for LPS
  - configuring the IG 4-28
- default RIP announcements IG 4-16
- DEFINE TIMEZONE command NET 2-48
- DEFINE/KEY command NET 2-45
- definition statements MG 9-19
- delta time MG 13-27, MG 13-28, MG 14-20
  - examples MG 13-28
- destination printer UG 5-21, MG 15-36
- DHCP
  - address
    - allocation MG 4-10
    - pools MG 4-10
    - pools MG 4-10
  - address lease states
    - Abandoned MG 4-58
    - Bound MG 4-58
    - Free MG 4-58
    - Offered MG 4-58
    - Pinging MG 4-58
    - Reserved for Secondary MG 4-58
    - Static Assignment MG 4-58
  - address request and allocation process MG 4-3
  - administration MG 4-4
  - agent option space options MG 4-52
  - configuration MG 4-5
  - configuration file declarations MG 4-19
  - configuration file parameters MG 4-19
  - conversion tool MG 4-6
  - declaration
    - group MG 4-8
    - host MG 4-8
    - pool MG 4-10, MG 4-11
    - range MG 4-8
  - DNS dynamic updates MG 4-16
  - dump files, address lease states MG 4-58
  - failover protocol MG 4-65, MG 4-66
  - host name generation MG 4-17
  - lease
    - file statement
      - billing class MG 4-56
      - billing subclass MG 4-56
  - lease file statements
    - abandoned MG 4-55
    - client-hostname MG 4-56
    - domain-name MG 4-56
    - dynamic-bootp MG 4-56
    - ends MG 4-56
    - FQDN MG 4-56
    - hardware MG 4-56
    - hostname MG 4-56
    - starts MG 4-56
    - uid MG 4-56
  - lease format MG 4-55
  - leases MG 4-57
  - option type
    - ARRAYS MG 4-53
    - BOOLEAN MG 4-52
    - DATA STRING MG 4-53
    - INTEGER MG 4-53

- IP-ADDRESS MG 4-53
- RECORDS MG 4-54
- TEXT MG 4-53
- options MG 4-43
  - option all-subnets-local MG 4-44
  - option arp-cache-timeout MG 4-44
  - option bootfile-name MG 4-44
  - option boot-size MG 4-44
  - option broadcast-address ip-address MG 4-44
  - option cookie-servers MG 4-44
  - option default-ip-ttl MG 4-44
  - option default-tcp-ttl MG 4-44
  - option dhcp-client-identifier MG 4-44
  - option dhcp-max-message-size MG 4-45
  - option dhcp-parameter-request-list MG 4-45
  - option dhcp-server-identifier MG 4-45
  - option domain-name MG 4-45
  - option domain-name-servers MG 4-45
  - option extensions-path MG 4-46
  - option finger-server MG 4-46
  - option font-servers MG 4-46
  - option host-name MG 4-46
  - option ieee802-3-encapsulation MG 4-46
  - option ien116-name-servers MG 4-46
  - option impress-servers MG 4-46
  - option interface-mtu MG 4-46
  - option ip-forwarding MG 4-46
  - option irc-server MG 4-46
  - option log-servers MG 4-46
  - option lpr-servers MG 4-47
  - option mask-supplier MG 4-47
  - option max-dgram-reassembly MG 4-47
  - option merit-dump MG 4-47
  - option mobile-ip-home-agent MG 4-47
  - option nds-context MG 4-47
  - option nds-servers MG 4-47
  - option nds-tree-name MG 4-47
  - option netbios-dd-server MG 4-47
  - option netbios-name-servers MG 4-47
  - option netbios-node-type MG 4-47
  - option netbios-scope MG 4-48
  - option nis-domain MG 4-48
  - option nisplus-domain MG 4-48
  - option nisplus-servers MG 4-48
  - option nis-servers MG 4-48
  - option nntp-server MG 4-48
  - option non-local-source-routing MG 4-48
  - option ntp-servers MG 4-48
  - option option MG 4-48
  - option path-mtu-aging-timeout MG 4-48
  - option path-mtu-plateau-table MG 4-48
  - option perform-mask-discovery MG 4-49
  - option policy-filter MG 4-49
  - option pop-server MG 4-49
  - option resource-location-servers MG 4-49
  - option root-path MG 4-49
  - option router-discovery MG 4-49
  - option routers MG 4-49
  - option router-solicitation-address MG 4-49
  - option smtp-server MG 4-49
  - option static-routes MG 4-50
  - option streettalk-directory-assistance-server MG 4-50
  - option streettalk-server MG 4-50
  - option subnet-mask MG 4-50
  - option swap-server MG 4-50
  - option tcp-keepalive-garbage MG 4-50
  - option tcp-keepalive-interval MG 4-50
  - option tftp-server-name MG 4-51
  - option time-offset MG 4-51
  - option time-servers MG 4-51
  - option trailer-encapsulation MG 4-51
  - option vendor-encapsulated-options MG 4-51
  - option www-server MG 4-51
  - option x-display-manager MG 4-51
- relay agent information option MG 4-51
- Safe-failover MG 4-61
  - boot file MG 4-63
  - configuration file statements MG 4-64, MG 4-65
    - backup-ack-interval MG 4-65
    - backup-pool-size MG 4-65
    - com-int-timeout MG 4-65
    - failover-port MG 4-65
    - mclt MG 4-65
    - safe-period-timeout MG 4-65
    - startup-delay MG 4-65
- configuring MG 4-62
- lease file statement
  - last-partner-transaction MG 4-66
  - revoked MG 4-66
- lease file statements
  - acked-sec-interval seconds MG 4-66
  - acked-sec-interval-start seconds MG 4-66
  - active MG 4-66
  - backup MG 4-66
  - desired-interval seconds MG 4-66
  - expired MG 4-66
  - free MG 4-66
  - released MG 4-66
  - reset MG 4-66
  - safe-lease MG 4-66
  - transaction-id number MG 4-66
  - update-count n MG 4-66
- partner-down state
  - transitioning MG 4-67
- server modes
  - Primary MG 4-63
  - Secondary MG 4-63
  - Standalone MG 4-63

# TCPware Master Index

- server state
  - backup-comint MG 4-64
  - backup-conflict MG 4-64
  - backup-normal MG 4-64
  - backup-partnerdown MG 4-64
  - backup-recover MG 4-64
  - failover-disabled MG 4-64
  - primary-comint MG 4-64
  - primary-conflict MG 4-64
  - primary-normal MG 4-64
  - primary-partnerdown MG 4-64
  - primary-recover MG 4-64
  - startup MG 4-64
- state file MG 4-64
- server process MG 4-2
- spawning class MG 4-14
- statement
  - add MG 4-19
  - allow and deny in pool declarations MG 4-22
  - allow and deny in scope MG 4-20, MG 4-21
  - always-broadcast MG 4-22
  - authoritative MG 4-24
  - class MG 4-25
  - if MG 4-30
  - invalid-ddns-chars MG 4-30
  - lease limit MG 4-30
  - lease-scan-interval MG 4-30
  - match MG 4-31
  - match if MG 4-31
  - min-lease-time MG 4-31
  - min-secs MG 4-32
  - one-lease-per-client MG 4-32
  - option definition MG 4-33
  - option space MG 4-33
  - pool MG 4-34
  - site-option-space MG 4-36
  - spawn with MG 4-36
  - vendor-option-space MG 4-39
- statements
  - allow and deny MG 4-19
  - always-reply-rfc1048 MG 4-23
  - default-lease-time MG 4-25
  - dynamic-bootp-lease-cutoff MG 4-26
  - dynamic-bootp-lease-length MG 4-26
  - filename MG 4-26
  - fixed-address MG 4-27
  - get-lease-hostnames MG 4-27
  - group MG 4-27
  - hardware MG 4-28
  - host MG 4-29
  - max-delayed-acks MG 4-31
  - max-lease-time MG 4-31
  - next-server MG 4-32
  - option MG 4-33
  - ping MG 4-33
  - ping-retries MG 4-33
  - ping-timeout MG 4-33
  - range MG 4-34
  - requested-options-only MG 4-35
  - server-identifier MG 4-35
  - server-name MG 4-35
  - shared-network MG 4-36
  - subnet MG 4-37
  - use-host-decl-names MG 4-38
  - use-lease-addr-for-default-route MG 4-38
  - user-class MG 4-38
  - vendor-class MG 4-38
- subclass MG 4-13
- DHCP client MG 2-1
- DHCP server MG 4-1
- direct access facility (DAF), X.25 MG 8-6
- directory checking UG 3-9
- FTP commands
  - ENABLE UG 3-46
- DISABLE command
  - FORWARDING NET 2-49
  - GATEWAY NET 2-49
  - REDIRECTS NET 2-50
- DISCARD utility MG 32-2
- DISCARDDD service MG 32-2
- Distributed Application Components PG 13-1
- DNS
  - NAMED.CONF option
    - max-transfer-time-in MG 3-10
    - transfer-format MG 3-10
    - transfers-in MG 3-10
    - transfers-per-ns MG 3-11
- Domain Name
  - logging options
    - category MG 3-13
    - channel MG 3-13
    - file MG 3-13
    - print-category MG 3-13
    - print-severity MG 3-13
    - print-time MG 3-13
    - severity MG 3-13
    - syslog daemon MG 3-13
- pointer (PTR) record, DNS MG 3-32
- service
  - client MG 3-1
    - logicals MG 3-1
    - setting up MG 3-1
    - starting up MG 3-2
  - database files
    - editing MG 3-13
    - special characters MG 3-14
    - special commands MG 3-14
  - DNS concept MG 3-1
  - name servers
    - log file MG 3-3, MG 3-41
    - monitoring requests using TCPDUMP MG 32-29

- monitoring
  - responses
    - TCPDUMP MG 32-30
- setting up MG 3-2
- starting MG 3-3
- stopping MG 3-3
- NAMED.BOOT file MG 3-3
- resource record
  - class MG 3-18
  - data MG 3-19
  - ttl MG 3-17
  - type MG 3-18
- resource records MG 3-17
  - A MG 3-20
  - AFSDB MG 3-21
  - HINFO MG 3-23
  - ISDN MG 3-24
  - MB MG 3-25
  - MG MG 3-26
  - MINFO MG 3-27
  - MR MG 3-28
  - MX MG 3-29
  - NS MG 3-31
  - PTR MG 3-32
  - RP MG 3-33
  - RT MG 3-34
  - Start of Authority (SOA) MG 3-35
  - TXT MG 3-38
  - WKS MG 3-39
  - X25 MG 3-40
- resource records, CNAME MG 3-22
- special commands MG 3-14
  - \$include MG 3-16
  - \$origin MG 3-15
- troubleshooting MG 3-41
- zone types MG 3-6
- Domain Name Services MG 3-1
  - configuring the IG 4-13
- DTE MG 8-5
- DUMP command
  - GATED STATE NET 2-51
  - KDB NET 2-52
  - NAMED CACHE NET 2-53
  - NAMED STATISTICS NET 2-53
  - NAMED STATS NET 2-53
- Duress PIN UG 14-2
  - using a UG 14-8
- Dynamic Host Configuration Protocol client
  - configuring the IG 4-8
- Dynamic Host Configuration Protocol server
  - configuring the IG 4-10
- dynamic routing MG 9-5

---

## E

- EC UG 12-21, UG 12-48
- ECHOD service MG 32-2
- EGP importation MG 9-65
- EL UG 12-21, UG 12-49
- empty passwords MG 25-12
- ENABLE command
  - FORWARDING NET 2-55
  - GATEWAY NET 2-55
  - REDIRECTS NET 2-56
- encrypted data UG 16-21
- enterprise-wide networking UG 1-1
- Error Status Codes PG 7-6
- ESCAPE UG 12-21, UG 12-50
- ESCAPE\_CHARACTER=char UG 16-7
- exclamation point MG 12-13
- EXIT command NET 2-57, NET 3-11
- EXIT command, NSLOOKUP MG 32-6
- EXPORT
  - database
    - reloading on cluster MG 14-5
    - Server-NFS MG 14-4
  - options MG 14-5
- exporting routes MG 9-71
- expressions MG 4-39
  - Boolean MG 4-39
  - data MG 4-40
  - numeric MG 4-42
- Exterior Gateway Protocol (EGP) MG 9-39
- external applications over IP, tunneling UG 2-15
- External Data Representation (XDR), protocol PG 1-10

---

## F

- file
  - attribute mapping, Server-NFS MG 14-11
  - formats and conversion, Server-NFS MG 14-14
  - locking MG 14-8
  - ownership mapping MG 13-7
  - printing UG 2-4
  - protection mapping MG 13-7
  - transfer format checking UG 3-10
  - type qualifiers (positional) UG 3-32
- file location logicals
  - defining IG 3-1
- File Transfer Protocol (FTP) MG 12-29
- file version mapping
  - NFS-OpenVMS MG 13-11
- file version mapping, NFS-OpenVMS MG 13-10
- Filename mapping
  - NFSOpenVMS MG 33-1
- files
  - ACECLIENT\_USER.DAT NET 1-7

# TCPware Master Index

BGDRIVER\_TCP\_CLIENT.C PG 2-4  
BGDRIVER\_TCP\_SERVER.C PG 2-4  
BGDRIVER\_UDP\_CLIENT.C PG 2-4  
BGDRIVER\_UDP\_SERVER.C PG 2-4  
BGDRIVER.EXE PG 2-2  
CCBFLD PG 9-2  
CCBFLD.H PG 9-21  
DAYTIMED.C PG 21-77  
DEC\$PRIVATE\_SERVER\_SETUP.TEMPLATE MG 31-2  
DECW\$PRIVATE\_SERVER\_SETUP.COM MG 31-1  
DECW\$PRIVATE\_SERVER\_SETUP.TEMPLATE M G 31-2  
DHCPD.CONF MG 4-67  
DOMAIN-NAME-SERVICE.CACHE MG 3-6  
FINGER.C PG 3-39  
FTP\_APPEND\_FILE PG 7-5  
FTP\_CONTROL.COM MG 12-12  
FTP\_GET\_FILE PG 7-5  
FTP\_PUT\_FILE PG 7-5  
FTP\_STARTUP.COM MG 12-1  
FTPDEF.H PG 7-2, PG 7-25, PG 7-54  
FTPSAMPLE.C PG 7-3  
FTPSEVER\_DTP.LOG MG 12-7, MG 19-11  
GATED.CONF MG 9-2, MG 9-5, MG 9-7  
HOSTS. PG 21-22, PG 21-23  
Hosts.  
    updating IG 3-22  
HOSTS.EQUIV MG 16-2  
HOST.EQUIV MG 16-2  
IF.ARP PG 21-2  
IF.H PG 21-2  
INETDRIVER\_CLIENT.C PG 6-52  
INETDRIVER\_SERVER.C PG 6-52  
INETIODEF.H PG 6-5  
INET.H PG 21-2  
IN.H PG 6-21, PG 21-2  
IOCTL.H PG 6-24, PG 21-2  
IP Security Option (IPSO)  
    IPSO\_AUTHORITIES. MG 24-13  
    ROUTING.COM MG 24-12  
IPSO\_AUTHORITIES. MG 24-13  
KLOGIN MG 23-13  
KSTASH.KEY MG 23-7  
LOGIN.COM NET 1-1  
LPD\_USERS.DAT MG 15-9  
MISC\_CONTROL.COM MG 32-2  
MYFILE.TXT NET 1-14  
NAMED.BOOT MG 3-3  
NAMESERVER.LOG MG 3-3, MG 3-41  
NAMESERV.H PG 21-2  
NETCP.LOG NET 1-17  
NETDB.H PG 21-2  
NETWORKS.DAT PG 21-26, PG 21-27  
NFSSERVER.LOG MG 14-17, MG 14-24, MG 14-32  
ONCRPC\_FUNC.H PG 15-2  
PPPLOGIN.TEMPLATE MG 5-8  
PPPOPTIONS.DAT MG 5-5  
PPPPAP.DAT MG 5-6  
PPPSECRET.TEMPLATE MG 5-6  
PRINCIPAL.OK MG 23-6  
PRINTCAP. MG 15-4  
    sample entries in MG 15-4  
PROGRAM\_CLNT.C PG 14-4  
PROGRAM\_SVC.C PG 14-4  
PROGRAM\_XDR.C PG 14-4  
PROGRAM.H PG 14-4  
PROTOCOLS. PG 21-29, PG 21-30  
PSW\_\*.DAT MG 5-24  
RCMD.LOG MG 16-4  
RESOLV.H PG 21-2, PG 21-54  
RHOSTS MG 16-2  
    disabling use of MG 16-2  
ROUTE.H PG 21-2  
ROUTING.COM MG 6-2, MG 8-3, MG 9-2, MG 24-12, NET 1-5  
SDCONF.REC MG 22-6  
SERVICES. PG 21-31, PG 21-32  
SHUTNET.COM MG 3-3, NET 1-7  
SLIP\_SETUP.COM MG 5-21  
SLIPLUGIN.COM MG 5-24  
SNMP\_COMMON.H PG 10-1  
SNMP\_SUBAGENT.C PG 10-3  
SNMP\_SUBAGENT.H PG 10-3  
SNMPD.CONF MG 7-2, MG 7-10  
SNMPSEVER.LOG MG 7-15  
SOCKERR.H PG 21-2, PG 21-49  
SOCKETVAR.H PG 21-3, PG 21-63  
SOCKET.H PG 6-21, PG 21-2  
SOCKLIB.OLB PG 21-6  
STARTNET.COM MG 3-3, NET 1-7  
STARTUP\_RESOLVER.COM MG 3-2  
SYLOGIN.COM MG 19-11  
TCP SOCK\_CLIENT.C PG 8-3  
TCP SOCK\_SERVER.C PG 8-3  
TCPDRIVER\_CLIENT.C PG 3-39  
TCPDRIVER\_SERVER.C PG 3-39  
TCPSAMPLE.FOR PG 3-40  
TCPWARE\_CONFIGURE.COM MG 15-5  
TCPWARE\_RPCLIB\_SHR.EXE PG 15-1, PG 19-13  
TCPWARE\_RPCLIBD\_SHR.EXE PG 15-2, PG 19-14  
TCPWARE\_RPCLIBG\_SHR.EXE PG 15-1, PG 19-13  
TCPWARE\_RPCLIBT\_SHR.EXE PG 15-2, PG 19-14  
TCPWARE SOCKLIB\_SHR.EXE PG 21-6  
TCPWARE SOCKLIBD\_SHR.EXE PG 21-6  
TCPWARE SOCKLIBT\_SHR.EXE PG 21-6  
TELLIB.OLB PG 9-2  
TELNET\_CONTROL.COM MG 18-1  
TELNET\_SAMPLE.C PG 9-2

- TEMPLATE\_SNMPD.CONF MG 7-16
- TIMED.LOG MG 11-10, MG 11-11
- transferring PG 7-5
- TYPES.H PG 21-3
- UCX\$INETDEF.H PG 2-2
- UCX\$IPC\_SHR.EXE PG 2-2
- UCX\$IPC.OLB PG 2-2
- UDP SOCK\_CLIENT.C PG 8-3
- UDP SOCK\_SERVER.C PG 8-3
- UDPDRIVER\_CLIENT.C PG 4-33
- UDPDRIVER\_SERVER.C PG 4-33
- UDPSAMPLE.FOR PG 4-33
- X25.CONF MG 8-4
- XDM\_ACCESS.DAT MG 30-3
- XDM\_CONFIG.DAT MG 30-2
- XDM\_CONFIG.TEMPLATE MG 30-2
- XDM\_KEYS.DAT MG 30-3
- XDM\_KEYS.TEMPLATE MG 30-3
- XDMSERVER.LOG MG 30-1, MG 30-2
- /etc/exports MG 13-3
- /etc/group MG 13-3
- /etc/passwd MG 14-2
- /etc/printcap MG 15-7
- files, transferring UG 2-3
- FILTER NET 1-10
- filter routes MG 9-21
- Filter Server
  - BLOCK\_AT\_DESTINATION\_PORT MG 27-4
  - COMPONENT MG 27-6
  - DEBUG MG 27-4
  - DELTA\_TIME MG 27-6
  - DESTINATION\_ADDRESS MG 27-6
  - DESTINATION\_PORT MG 27-6
  - ENTERPRISE\_STRING MG 27-4, MG 27-13
  - EXCLUDE\_ADDRESS MG 27-7
  - FILTER\_DURATIONS MG 27-7
  - GENERIC\_TRAP\_ID MG 27-4, MG 27-13
  - INCLUDE MG 27-4
  - LOG\_TO\_LOGFILE MG 27-4
  - LOG\_TO\_OPCOM MG 27-5
  - LOG\_TO\_SNMP MG 27-5, MG 27-13
  - LOGFILE MG 27-5
  - MAX\_COUNT MG 27-7
  - OPCOM\_TARGET MG 27-5
  - PROTO\_FILTER MG 27-7
  - RULE MG 27-7
  - SPECIFIC\_TRAP\_ID MG 27-5, MG 27-13
- FIND command
  - ARP NET 2-58
  - HOST NET 2-146
  - PROXY NET 2-59
  - ROUTE NET 2-60
- FINGER
  - command, NSLOOKUP MG 32-7
  - utility MG 32-2
- FINGERD service MG 32-2
- FLAG UG 5-18, MG 15-31
- flag page UG 5-16
- FLAGS Options for DECnet over IP NET 2-192
  - LISTENER NET 2-192
  - (RETRY=seconds) NET 2-192
- FLAGS Options for Ethernet, FDDI, Token Ring, and CLIP NET 2-190
  - NOBACKTOBACK NET 2-190
  - NOBROADCAST NET 2-190
  - RARP NET 2-191
  - TRAILERS NET 2-191
  - VCI NET 2-191
- FLAGS Options for SLIP and CSLIP NET 2-191
  - AUTOENABLE NET 2-191
  - COMPRESSED NET 2-191
  - DOUBLEEND NET 2-191
  - FLOWCONTROL NET 2-191
  - (RCV=n) NET 2-191
- FLUSH UG 12-21, UG 12-52
- FLUSH command NET 2-61
- FORWARD UG 12-21, UG 12-53
- forwarded ports
  - tunnels UG 16-21
- FTP
  - client, building an PG 7-3
  - command synonyms
    - ASCII UG 3-21
    - BELL UG 3-21
    - BINARY UG 3-21
    - BYE UG 3-21
    - CD UG 3-21
    - CONNECT UG 3-21
    - DEBUG UG 3-21
    - DISCONNECT UG 3-21
    - H UG 3-21
    - HASH UG 3-21
    - IMAGE UG 3-21
    - LCD UG 3-21
    - LIST UG 3-21
    - LOGIN UG 3-21
    - LS UG 3-21
    - MDELETE UG 3-21
    - MGET UG 3-21
    - MKDIR UG 3-22
    - MPUT UG 3-22
    - PASSIVE UG 3-22
    - QUIT UG 3-21
    - RECV UG 3-22
    - RM UG 3-22
    - RMDIR UG 3-22
    - SEND UG 3-22
    - STATUS UG 3-22
    - VERBOSE UG 3-22
    - Z UG 3-22
  - features UG 3-2
    - case conversion UG 3-2



# TCPware Master Index

- command line interface UG 3-2
- graphical user interface UG 3-2
- status messages UG 3-2
- wildcards UG 3-3
- log files MG 12-5
- login sequence UG 14-3
- preparation UG 3-1
- server connection banner MG 12-19
- session UG 3-1
- session accounting MG 12-8
  - accounting file record format MG 12-10
  - configuration file MG 12-9
  - configuring MG 12-9
  - configuring the Accounting listener MG 12-10
  - enabling MG 12-10
  - file format MG 12-10
- subroutine library
  - allocating connection control block PG 7-9
  - appending remote file PG 7-11
  - authorizing remote host user PG 7-34
  - closing remote FTP server connection PG 7-17
  - connection control block (CCB) fields PG 7-3
  - copying remote host file PG 7-27, PG 7-48
  - creating remote host directory PG 7-18
  - deallocating a connection control block PG 7-20
  - deleting remote host directory PG 7-22
  - deleting remote host file PG 7-24
  - error status, accessing PG 7-6
  - FTP\_ACCOUNT PG 7-7
  - FTP\_ALLOCATE\_CCB PG 7-9
  - FTP\_APPEND\_FILE PG 7-11
  - FTP\_CLOSE\_CONNECTION PG 7-13, PG 7-15, PG 7-42
  - FTP\_CREATE\_DIRECTORY PG 7-18
  - FTP\_DEALLOCATE\_CCB PG 7-20
  - FTP\_DELETE\_DIRECTORY PG 7-22
  - FTP\_DELETE\_FILE PG 7-24
  - FTP\_GET\_CCB PG 7-25
  - FTP\_GET\_FILE PG 7-27
  - FTP\_GET\_LIST PG 7-30
  - FTP\_GET\_NAME\_LIST PG 7-32
  - FTP\_LOGIN\_USER PG 7-34
  - FTP\_OPEN\_CONNECTION PG 7-37
  - FTP\_PASSWORD PG 7-40
  - FTP\_PRINT\_DIRECTORY PG 7-42
  - FTP\_PUT\_FILE PG 7-46
  - FTP\_QUOTE PG 7-50
  - FTP\_RENAME\_FILE PG 7-52
  - FTP\_SET\_DEBUG PG 7-54
  - FTP\_SET\_DIRECTORY PG 7-56
  - FTP\_SET\_PASV PG 7-58
  - FTP\_SET\_STRU PG 7-59
  - FTP\_SET\_TYPE PG 7-61
  - FTP\_USER PG 7-63
  - getting connection control block information PG 7-25
  - getting remote host file listing PG 7-30
  - getting remote host filename listing PG 7-32
  - linking applications PG 7-3
  - opening remote host FTP connection PG 7-37
  - programming PG 1-10
  - reference PG 7-6
  - renaming remote host file PG 7-52
  - returning remote host current directory PG 7-44
  - sending remote host FTP command PG 7-50
  - setting FTP library debugging mode PG 7-54
  - setting passive mode PG 7-58
  - setting remote directory PG 7-56
  - specifying data representation type PG 7-61
  - specifying file structure PG 7-59
  - specifying remote host user PG 7-63
  - specifying remote host user account PG 7-7
  - specifying remote host user password PG 7-40
- FTP commands
  - ACCOUNT UG 3-27
  - CLOSE UG 3-28
  - COPY UG 3-30
  - CREATE/DIRECTORY UG 3-35
  - DEFINE/KEY UG 3-37
  - DELETE UG 3-40
  - DIRECTORY UG 3-43
  - DISPLAY UG 3-45
  - ERROR\_EXIT UG 3-47
  - EXIT UG 3-48
  - GET UG 3-49
  - HELP UG 3-53
  - LDIR UG 3-54
  - OPEN UG 3-55
  - PUT UG 3-59
  - PWD UG 3-64
  - QUOTE UG 3-65
  - REMOTEHELP UG 3-66
  - RENAME UG 3-67
  - SET
    - DEBUG
      - /CLASS UG 3-70
      - DEFAULT UG 3-72
  - SHOW STATUS UG 3-80
  - SITE UG 3-81
  - SPAWN UG 3-82
  - STRUCTURE UG 3-83
  - TYPE UG 3-84
  - USER UG 3-86
- FTP Subroutine Library programming PG 7-1
- FTPOpenVMS
- FTP?OpenVMS

- server management MG 12-1
- FTP-OpenVMS
  - ANONYMOUS support MG 12-13
  - CAPTIVE accounts MG 12-18
  - exiting, status on MG 12-2
  - logicals MG 12-15
  - passive state MG 12-30
  - RETR, STOR, APPE command qualifiers MG 12-34
  - security MG 12-2, MG 19-11
  - server implementation MG 12-29
  - service commands MG 12-29
    - ACCT MG 12-29
    - ALLO MG 12-29
    - APPE MG 12-29
    - CDUP MG 12-29
    - CWD MG 12-29
    - DELE MG 12-29
    - HELP MG 12-30
    - LIST MG 12-30
    - MDTM MG 12-30
    - MKD MG 12-30
    - MODE MG 12-30
    - NLST MG 12-30
    - NOOP MG 12-30
    - PASS MG 12-30
    - PASV MG 12-30
    - PORT MG 12-31
    - PWD MG 12-31
    - QUIT MG 12-31
    - REIN MG 12-31
    - RETR MG 12-31
    - RMD MG 12-31
    - RNFR MG 12-31
    - RNTO MG 12-31
    - SITE MG 12-32
    - SIZE MG 12-32
    - STOR MG 12-32
    - STOU MG 12-32
    - STRU MG 12-33
    - SYST MG 12-33
    - TYPE MG 12-33
    - USER MG 12-33
  - startup command file MG 12-1
  - troubleshooting MG 12-34
- FTP-OpenVMS server
  - configuring the IG 4-15
- FTPSERVER\_DTP.COM MG 12-5

---

## G

- GA UG 12-21, UG 12-54
- GateD MG 9-5, NET 1-5
  - BGP MG 9-5
  - configuration

- file MG 9-5
- language MG 9-8
- EGP MG 9-5
- Global Trace options MG 9-9
- HELLO MG 9-5
- NETCU commands MG 9-7
- OSPF MG 9-5
- RIP MG 9-5
- route selection MG 9-5
- Router Discovery Protocol MG 9-5
- starting and stopping MG 9-7
- GATED.CONF file
  - conflict with ROUTING.COM file MG 9-2
  - creating the IG 4-16
- Gateway
  - Routing Daemon (GateD) MG 9-1
- gateway
  - address
    - default MG 9-1
    - examples MG 9-2
    - rotation MG 9-1
    - sequence of use MG 9-1
  - multiple gateway support MG 9-1
- gateway routing daemon
  - configuring the IG 4-15
- GET UG 3-13
- GET command
  - TGT NET 2-62
- get\_myaddress routine, RPC RTL PG 15-6
- getdomainname/gethostname subroutines, Socket Library PG 21-21
- gethostbyaddr subroutine, Socket Library PG 21-22
- gethostbyname subroutine, Socket Library PG 21-23
- gethostid subroutine, Socket Library PG 21-25
- getnetbyaddr subroutine, Socket Library PG 21-26
- getnetbyname subroutine, Socket Library PG 21-27
- getpeername subroutine, Socket Library PG 21-28
- getprotobyname subroutine, Socket Library PG 21-29
- getprotobynumber subroutine, Socket Library PG 21-30
- getrpcbynumber, RPC RTL PG 15-7
- getrpcport, RPC RTL PG 15-8
- getservbyname subroutine, Socket Library PG 21-31
- getservbyport subroutine, Socket Library PG 21-32
- getsockname subroutine, Socket Library PG 21-33
- getsockopt subroutine, Socket Library PG 21-34
- GETSYI client PG 20-2
- GETSYI sample programs PG 20-4
- global pages IG 5-3
- graphical user interface UG 3-6
  - method UG 3-4, UG 3-9, UG 3-14
    - from local to remote UG 3-14
    - from remote to local UG 3-14
- GROUP database, Client-NFS MG 13-3, MG 13-5
- GROUP groups
  - adding IG 4-7
- Group Identification Mapping MG 13-5

# TCPware Master Index

GROUP users  
adding IG 4-5

---

## H

hardware clock overview IG 3-13  
HASH UG 3-76  
HELLO protocol MG 9-29  
HELP  
    command NET 2-63, NET 3-13  
    command, NSLOOKUP MG 32-8  
Hewlett-Packard documentation UG 18-7  
HNS\_LOOKUPHOST subroutine, Socket Library PG 21-35  
HNS\_LOOKUPIA subroutine, Socket Library PG 21-36  
home directory MG 25-15  
host  
    declaration MG 4-9  
    DNIC, X.25 MG 8-6  
    information (HINFO) record, DNS MG 3-23  
    IP address, X.25 MG 8-6  
    local, X.25 MG 8-6  
    network name, X.25 MG 8-6  
    public key MG 25-25  
    remote, X.25 MG 8-6  
host equivalence file IG 4-50  
host key  
    creating MG 25-25, MG 26-25  
    private part MG 25-25  
    public part MG 25-25, MG 26-25  
host name patterns MG 25-10  
hostent structure, Socket Library PG 1-15, PG 21-8  
hosts, configuring UG 2-9  
HP WAN Line Configuration Options NET 2-189  
htonl subroutine, Socket Library PG 21-37  
htons subroutine, Socket Library PG 21-38  
HYPERchannel lines IG 3-7  
HYPERchannel physical addresses NET 2-6

---

## I

IBM VM NFS MG 13-24  
IBM-to-OpenVMS keyboard map UG 12-13  
IBM, supported models UG 12-4  
ICMP  
    redirect messages MG 9-33  
    tracing options MG 9-32  
IDENT service MG 32-3  
idle timeout MG 25-10  
IMAP  
    configuration directives in .IMAPRC MG 17-30  
    mail folders MG 17-29  
    options in the global .IMAPRC file MG 17-31

server MG 17-28  
state information files MG 17-32  
implicit labeling MG 24-5  
include command, DNS MG 3-16  
incoming access restriction  
    commands MG 12-3  
inet\_ subroutines, Socket Library PG 21-39  
INET\_TCP  
    DROP\_TIMER NET 2-104  
    parameters and values NET 2-104  
    PROBE\_TIMER NET 2-104  
INETDRIVER Services  
    programming PG 6-1  
INETDRIVER services  
    accepting and assigning channel PG 6-9  
    assigning address to socket PG 6-13  
    assigning channel to device PG 6-49  
    asynchronous system trap (AST) PG 6-39  
    call arguments PG 6-5  
    call format PG 6-5  
    cancelling I/O PG 6-51  
    closing socket PG 6-52  
    connecting to peer socket PG 6-15  
    controlling socket characteristics PG 6-24  
    creating desired socket type PG 6-47  
    creating socket type  
        SOCK\_DGRAM PG 6-48  
        SOCK\_RAW PG 6-48  
        SOCK\_STREAM PG 6-48  
enabling AST delivery PG 6-39  
function codes  
    IO\$\_ACCEPT PG 6-9  
    IO\$\_ACCEPT\_WAIT PG 6-12  
    IO\$\_BIND PG 6-13  
    IO\$\_CONNECT PG 6-15  
    IO\$\_GETPEERNAME PG 6-17  
    IO\$\_GETSOCKNAME PG 6-19  
    IO\$\_GETSOCKOPT PG 6-21  
    IO\$\_IOCTL PG 6-24  
    IO\$\_LISTEN PG 6-27  
    IO\$\_RECEIVE PG 6-29  
    IO\$\_SEND PG 6-33  
    IO\$\_SETCHAR PG 6-37  
    IO\$\_SETMODE | IO\$\_M\_ATTNAST PG 6-39  
    IO\$\_SETSOCKOPT PG 6-41  
    IO\$\_SHUTDOWN PG 6-45  
    IO\$\_SOCKET PG 6-47  
    SYSS\$ASSIGN PG 6-49  
    SYSS\$CANCEL PG 6-51  
    SYSS\$DASSGN PG 6-52  
getting local address of socket PG 6-19  
getting peer name PG 6-17  
getting socket option values PG 6-21  
multicasting PG 6-3  
placing stream in listen state PG 6-27  
programming PG 1-9

- retrieving data from socket PG 6-29
- sample program PG 6-52
- sending data/messages PG 6-33
- sequence of operations PG 6-2
  - client PG 6-2
  - server PG 6-2
- setting socket options PG 6-41
- setting special device characteristics PG 6-37
- shutting down connection PG 6-45
- waiting for connection without accepting PG 6-12
- INETDRIVER\_CLIENT.C file PG 6-52
- INETDRIVER\_SERVER.C file PG 6-52
- INETDRIVER, socket library PG 6-4
- INGRES/Net IG 2-8
  - installing and configuring IG 5-10
- INITIALIZE/QUEUE command MG 15-15
  - Terminal Service Print Services MG 15-15
- insecure network UG 16-3
- Integrated Service Digital Network (ISDN) record, DNS MG 3-24
- Internet
  - Bootstrap Protocol MG 4-1
  - Control Message Protocol (ICMP), redirect messages MG 9-1
- internet
  - device driver (INETDRIVER) services PG 6-1
  - TCP/IP protocol suite UG 18-5
- internet address classes IG 3-11
- Internet Message Protocol (IMAP) server
  - configuring the IG 4-17
- Internet Protocol Implementation Notes PG 5-3
- intrusion detection MG 26-4
- IO\$\_ACCEPT function code, INETDRIVER PG 6-9
- IO\$\_ACCEPT\_WAIT function code, INETDRIVER PG 6-12
- IO\$\_BIND function code, INETDRIVER PG 6-13
- IO\$\_CONNECT function code, INETDRIVER PG 6-15
- IO\$\_CREATE function code, TCPDRIVER PG 3-7
- IO\$\_GETPEERNAME function code, INETDRIVER PG 6-17
- IO\$\_GETSOCKNAME function code, INETDRIVER PG 6-19
- IO\$\_GETSOCKOPT function code, INETDRIVER PG 6-21
- IO\$\_IOCTL function code, INETDRIVER PG 6-24
- IO\$\_LISTEN function code, INETDRIVER PG 6-27
- IO\$\_READVBLK function code
  - TCPDRIVER
    - IO\$\_M\_DATACHECK modifier PG 3-11
    - IO\$\_M\_NOW modifier PG 3-11
    - IO\$\_M\_PACKED modifier PG 3-11
  - UDPDRIVER PG 4-7
    - IO\$\_M\_DATACHECK modifier PG 4-7
    - IO\$\_M\_NOW modifier PG 4-7
- IO\$\_READVBLK function code, TCPDRIVER PG 3-11
- IO\$\_RECEIVE function code, INETDRIVER PG 6-29
- IO\$\_SEND function code, INETDRIVER PG 6-33
- IO\$\_SENSEMODE | IO\$\_M\_CTRL function code
  - TCPDRIVER PG 3-15
  - UDPDRIVER PG 4-13
- IO\$\_SENSEMODE | IO\$\_M\_RD\_COUNT function code
  - TCPDRIVER
    - IO\$\_M\_CLR\_COUNT modifier PG 3-19
  - UDPDRIVER PG 4-16
    - IO\$\_M\_CLR\_COUNT modifier PG 4-16
- IO\$\_SENSEMODE | IO\$\_M\_RD\_COUNT function code, TCPDRIVER PG 3-19
- IO\$\_SENSEMODE function code, TCPDRIVER PG 3-13
- IO\$\_SENSEMODE function code, UDPDRIVER PG 4-10
- IO\$\_SETCHAR function code, INETDRIVER PG 6-37
- IO\$\_SETMODE | IO\$\_M\_ATTNAST function code, INETDRIVER PG 6-39
- IO\$\_SETMODE | IO\$\_M\_ATTNAST function code, TCPDRIVER PG 3-21
- IO\$\_SETMODE | IO\$\_M\_CTRL | IO\$\_M\_SHUTDOWN function code
  - TCPDRIVER
    - IO\$\_M\_ABORT modifier PG 3-27
- IO\$\_SETMODE | IO\$\_M\_CTRL | IO\$\_M\_SHUTDOWN function code, UDPDRIVER PG 4-21
- IO\$\_SETMODE | IO\$\_M\_CTRL | IO\$\_M\_STARTUP function code, TCPDRIVER PG 3-28
- IO\$\_SETMODE | IO\$\_M\_CTRL function code, TCPDRIVER PG 3-23
- IO\$\_SETSOCKOPT function code, INETDRIVER PG 6-41
- IO\$\_SHUTDOWN function code, INETDRIVER PG 6-45
- IO\$\_SOCKET function code, INETDRIVER PG 6-47
- IO\$\_WRITEVBLK | IO\$\_M\_EXTEND function code
  - UDPDRIVER
    - IO\$\_M\_NOFORMAT modifier PG 4-27
- IO\$\_WRITEVBLK | IO\$\_M\_EXTEND function code, TCPDRIVER PG 3-32
- IO\$\_WRITEVBLK | IO\$\_M\_EXTEND function code, UDPDRIVER PG 4-27
- IO\$\_WRITEVBLK function code
  - TCPDRIVER
    - IO\$\_M\_OUTBAND modifier PG 3-30
  - UDPDRIVER
    - IO\$\_M\_NOFORMAT qualifier PG 4-24
- IO\$\_WRITEVBLK function code, TCPDRIVER PG 3-30
- IO\$\_WRITEVBLK function code, UDPDRIVER PG 4-24
- IOCTL.H file PG 6-24
- IP UG 12-21, UG 12-55
  - address, X.25 MG 8-4, MG 8-6
  - fragments, monitoring using TCPDUMP MG 32-32
  - Security Option (IPSO) MG 19-9, MG 24-1
    - automatic startup MG 24-12
    - basic options
      - setting first in datagram MG 24-11
      - stripping datagrams of MG 24-10

# TCPware Master Index

- basic security option MG 24-2
  - commands, using MG 24-7
  - extended options, setting MG 24-10
  - extended security option MG 24-2
  - ICMP error messages, enabling MG 24-11
  - implementation, sample MG 24-5
  - implicit labels
    - received datagrams MG 24-9
    - transmitted datagrams MG 24-8
  - line options MG 24-3, MG 24-7
  - protection authorities MG 24-2
  - security levels MG 24-2
  - setting options MG 24-3
  - SHOW IPSO /FULL output MG 24-14
  - site-specific authorities, creating MG 24-13
  - system options MG 24-3
  - troubleshooting MG 24-15
- IP addresses
- obtaining for network devices IG 1-3
- IP device driver (IPDRIVER) services PG 5-1
- IP multicast datagrams
- receiving PG 1-18
  - sending PG 1-17
- IP Security Option (IPSO)
- management MG 24-1
- IPDRIVER
- ARP table entry flag PG 5-16
  - line ID values PG 5-14
- IPDRIVER external interface PG 5-33
- I/O functions PG 5-34
- IO\$\_INITIALIZE PG 5-34
  - IO\$\_READVBLK PG 5-34
  - IO\$\_SETMODE | IO\$\_M\_CTRL |  
IO\$\_M\_SHUTDOWN PG 5-34
  - IO\$\_WRITEVBLK PG 5-34
- system service call codes PG 5-34
- IO\$\_INITIALIZE (External) PG 5-36
  - IO\$\_INITILIZE PG 5-35
  - IO\$\_READVBLK PG 5-35
  - IO\$\_READVBLK (External) PG 5-39
  - IO\$\_SETMODE PG 5-35
  - IO\$\_SETMODE | IO\$\_M\_CTRL |  
IO\$\_M\_SHUTDOWN (External) PG  
5-41
  - IO\$\_WRITEVBLK PG 5-35
  - IO\$\_WRITEVBLK (External) PG 5-42
- shutting down the external interface for the  
channel PG 5-41
- IPDRIVER services, programming PG 1-9
- IPDRIVER system service call
- arguments PG 5-4
  - format PG 5-3
- IPDRIVER user interface system service call function  
code
- assigning a channel to a device PG 5-30
  - canceling any pending I/O PG 5-32
  - closing the port PG 5-23
  - IO\$\_READVBLK PG 5-8
  - IO\$\_SENSEMODE | IO\$\_M\_CTRL PG 5-10
  - IO\$\_SENSEMODE | IO\$\_M\_RD\_COUNT PG 5-18
  - IO\$\_SETMODE | IO\$\_M\_CTRL PG 5-20
  - IO\$\_SETMODE | IO\$\_M\_CTRL |  
IO\$\_M\_SHUTDOWN PG 5-23
  - IO\$\_SETMODE | IO\$\_M\_CTRL |  
IO\$\_M\_STARTUP PG 5-24
  - IO\$\_WRITEVBLK PG 5-25
  - opening a port PG 5-24
  - P3 function codes PG 5-11
  - performing reads PG 5-10
  - reading
    - extended characteristics PG 5-12
    - network device information PG 5-12
    - the ARP table function PG 5-15
    - the routing table PG 5-13
  - reading the IP counters PG 5-18
  - receiving a datagram PG 5-8
  - releasing a channel PG 5-33
  - sending data PG 5-25
  - setting the port characteristics PG 5-20
  - SY\$\_ASSIGN PG 5-30
  - SY\$\_CANCEL PG 5-32
  - SY\$\_DASSGN PG 5-33
- IPDRIVER user interface system service call function  
codes PG 5-7
- IP-over-DECnet lines IG 3-7
- IP-over-X.25
- configuring MG 8-1
  - KEEPALIVE MG 8-3
  - maximum transmission unit MG 8-2
  - min/max transmission time MG 8-3
- IP-over-X.25 devices IG 3-9
- IPP
- allowable values MG 15-33
  - client MG 15-20
  - design goals MG 15-21
  - encoding and transport MG 15-21
  - Implementer's Guide MG 15-21
  - logging level
    - ABORT MG 15-34
    - DETAILED\_TRACE MG 15-33
    - ERROR MG 15-34
    - FATAL MG 15-34
    - FILE MG 15-33
    - INFO MG 15-34
    - JOB MG 15-33
    - SYMBIONT MG 15-33
    - WARNING MG 15-34
  - logging levels MG 15-33
  - model and semantics MG 15-21
  - multiple printers using wildcards MG 15-35
  - network printing protocol MG 15-20
  - no configuration values in the INIT command MG 15-

35

OPCOM terminal names MG 15-33  
print command option  
  COPIES UG 5-17, MG 15-31  
  DOCUMENT\_FORMAT UG 5-18, MG 15-32  
  FINISHING UG 5-18, MG 15-32  
  JOB\_PRIORITY UG 5-18, MG 15-32  
  MEDIA UG 5-19, MG 15-33  
  MULTIPLE\_DOCUMENT\_HANDLING UG 5-18, MG 15-32  
  NUMBER\_UP UG 5-18, MG 15-32  
  ORIENTATION UG 5-18, MG 15-31  
  PAGE\_RANGE UG 5-19, MG 15-32  
  PRINTER UG 5-17, MG 15-31  
  QUALITY UG 5-19, MG 15-33  
  SIDES UG 5-17, MG 15-31  
print command options MG 15-31  
print only to a specific printer MG 15-34  
print queues MG 15-20  
print symbiont MG 15-20  
protocol MG 15-20  
protocol background MG 15-21  
qualifiers  
  /COMMENT MG 15-24  
  /COPIES\_DEFAULT MG 15-24  
  /DEBUG MG 15-25  
  /DEFAULT\_DOCUMENT\_FORMAT MG 15-25  
  /DOCUMENT\_FORMAT\_DEFAULT MG 15-25  
  /EXPECT\_LINK\_CLOSURES MG 15-25  
  /FINISHING\_DEFAULT MG 15-25  
  /FLAG\_DEFAULT MG 15-25  
  /INCLUDE MG 15-25  
  /JOB\_PRIORITY\_DEFAULT MG 15-25  
  /JOB\_RETRY\_DELAY MG 15-25  
  /LOG\_FILE MG 15-26  
  /LOG\_LEVEL MG 15-26  
  /MAX\_LOG\_BYTES MG 15-26  
  /MEDIA\_DEFAULT MG 15-26  
  /  
    MULTIPLE\_DOCUMENT\_HANDLING\_DEFAULT MG 15-28  
  /NUMBER\_UP\_DEFAULT MG 15-29  
  /OPCOM\_LEVEL MG 15-29  
  /OPCOM\_TERMINAL MG 15-29  
  /ORIENTATION\_DEFAULT MG 15-29  
  /PAGE\_RANGE\_DEFAULT MG 15-29  
  /PRINTER\_URI MG 15-24  
  /QUALITY\_DEFAULT MG 15-30  
  /SIDES\_DEFAULT MG 15-30  
  /SPOOL\_DIRECTORY MG 15-30  
queue configurations MG 15-34  
queue-specific settings MG 15-24  
setting up an IPP symbiont queue MG 15-34  
structure, model, and protocol MG 15-21

submitting jobs to IPP symbiont print queues MG 15-36  
symbiont queues MG 15-34  
  using queue-specific logicals MG 15-34  
  two queues using a disk file MG 15-35  
IPP with CNFNET IG 4-19  
IPPROTO\_IP option  
  IP\_ADD\_MEMBERSHIP PG 6-44  
  IP\_DROP\_MEMBERSHIP PG 6-44  
  IP\_MULTICAST\_IF PG 6-43  
  IP\_MULTICAST\_LOOP PG 6-43  
  IP\_MULTICAST\_TTL PG 6-43  
  IP\_OPTIONS PG 6-43  
IPPROTO\_TCP option  
  TCP\_KEEPAALIVE PG 6-43  
IPS  
  configuring IG 4-21  
IPSO NET 1-10  
  protection authorities NET 2-110, PG 21-41  
    DOE NET 2-110  
    GENSER NET 2-110  
    NSA NET 2-110  
    SCI NET 2-110  
    SIOP-ESI NET 2-110  
  security levels NET 2-109, PG 21-44  
IPSO\_AUTHORITIES.file MG 24-13  
ipso\_getauthbyname, Socket Library PG 21-41  
ipso\_getauthbynumber, Socket Library PG 21-43  
ipso\_getlevelbyname, Socket Library PG 21-44  
ipso\_getlevelbynumber, Socket Library PG 21-45

---

## K

keepalive messages MG 25-11  
KEEPALIVE, IP-over-X.25 configuration MG 8-3  
Kerberos  
  administration server MG 19-8, MG 23-4, MG 23-9  
  application server MG 19-6  
  authentication MG 23-1  
  authenticator MG 19-5  
  command reference UG 4-2  
  command users MG 19-6  
  database MG 19-7, MG 19-8  
    adding to MG 23-7  
    creating MG 23-6  
    dumping to text file MG 23-8  
    loading from text file MG 23-8  
    modifying MG 23-7  
    removing entry from MG 23-8  
    showing entry MG 23-8  
  description MG 23-4  
  instance MG 19-4  
  management MG 19-4  
  management commands MG 19-8  
  master password

# TCPware Master Index

- setting MG 23-8
- stashing MG 23-7
- troubleshooting if not stashed MG 23-7
- name MG 19-4
- principal MG 19-4
- process MG 19-5
- R Services
  - customizing authentication MG 23-14
  - KLOGIN file MG 23-13
  - management MG 23-13
  - requests parameter MG 23-13
- RCP authentication MG 19-8
- realm MG 19-4
- RLOGIN authentication MG 19-8
- RSH authentication MG 19-8
- sequence MG 19-7
- server MG 19-7, MG 23-4
  - Key Distribution Center (KDC) MG 19-7
  - keys file, creating MG 23-9
  - logicals MG 23-4
    - TCPWARE\_KERBV4\_MAXAGE MG 23-5
    - TCPWARE\_KERBV4\_PRIMARY MG 23-5
    - TCPWARE\_KERBV4\_REALM MG 23-5
    - TCPWARE\_KERBV4\_SRVTYP MG 23-4
  - management MG 23-1
  - management commands MG 23-6
  - managing from server MG 23-9
  - process MG 19-5
- service ticket MG 19-5
- session, typical MG 19-6
- TELNET
  - authentication MG 19-8
  - commands MG 23-14
  - management MG 23-14
  - proper operation MG 23-14
  - request parameter MG 23-14
- terms MG 19-4
- ticketgranting ticket MG 19-5, MG 19-6
- user command
  - GET TGT UG 4-1
  - REMOVE TICKETS UG 4-1
  - SET KERBEROS\_PASSWORD UG 4-1
  - SHOW TICKETS UG 4-1
- user commands MG 19-7
- Kerberos applications IG 4-25
- Kerberos server
  - configuring the IG 4-23
- Kerberos user commands
  - GET TGT UG 4-3
  - REMOVE TICKETS UG 4-5
  - SET KERBEROS\_PASSWORD UG 4-6
  - SHOW TICKETS UG 4-7
- key designations for three terminal types UG 3-37, UG

- 12-24
- Key-Names NET 2-45
- keyword value pairs MG 25-3
- KILL CONNECTIONS command NET 2-64
- KLOGIN file MG 23-13
- klogin service MG 23-13
- kshell service MG 23-13

---

## L

- line identification codes
  - entering IG 3-6
- line IDs IG 3-8
- line printer services
  - configuring the IG 4-27
- Line Printer Services (LPS) MG 15-1
  - batch queues MG 15-10
  - client MG 15-1
    - troubleshooting MG 15-7
  - LPR command MG 15-10
  - LPR SMB symbiont, tuning logicals MG 15-7
  - PRINT command MG 15-10
  - VMSLPR SMB symbiont, tuning logicals MG 15-6
- LISTEN
  - argument for PG 3-8
  - description for PG 3-7
  - format for PG 3-7
  - status for PG 3-8
- listen subroutine, Socket Library PG 21-46
- Littleendian PG 1-5
- LOAD command
  - GATED CONFIGURATION NET 2-65
  - KDB NET 2-66
- loadable time zone rules IG 3-17
- local hostname
  - defining the IG 3-21
- local mount point MG 13-29
- local system commands UG 3-22
  - DEFINE/KEY UG 3-22
  - HELP UG 3-22
  - LCD UG 3-22
  - LDIR UG 3-22
  - SET BELL UG 3-22
  - SET DEBUG UG 3-22
  - SET HASH UG 3-22
  - SET LOWERCASE UG 3-22
  - SET PASSIVE UG 3-22
  - SET VMS UG 3-22
  - SHOW STATUS UG 3-22
  - SPAWN UG 3-22
  - STRUCTURE UG 3-23
  - TYPE UG 3-23
- local time zone
  - defining the IG 3-20
- LOCAL\_FLOW UG 12-21

## MultiNet Master Index

---

LOCAL\_FLOW\_CONTROL UG 12-57  
LocalPref MG 9-45  
LOG NET 1-8, NET 1-11  
log file MG 12-7  
logical  
    FTP\_STARTUP UG 19-1, MG 12-1  
    MULTINET\_IPP\_DEFAULT\_DOCUMENT\_FORMAT  
        MG 15-23  
    MULTINET\_LOG\_MBX MG 26-27  
    MULTINET\_SFTP\_FALLBACK\_TO\_CBT UG 17-7  
    MULTINET\_SFTP\_TRANSLATE\_VMS\_FILE\_TYPE  
        S UG 17-8  
    MULTINET\_SSH\_ACC\_REJ\_LOG\_FILE MG 26-27  
    MULTINET\_SSH\_ENABLE\_SSH2\_CONNECTIONS  
        MG 26-28  
    MULTINET\_SSH\_KEYGEN\_MIN\_PW\_LEN MG 26-  
        28  
    MULTINET\_SSH\_LOG\_ACCEPTS MG 26-27  
    MULTINET\_SSH\_LOG\_REJECTS MG 26-27  
    MULTINET\_SSH\_MAX\_SESSIONS MG 26-27  
    MULTINET\_SSH\_PARAMETERS MG 26-28  
    MULTINET\_SSH\_PARAMETERS\_n MG 26-28  
    MULTINET\_SSH\_USE\_SYSGEN\_LGI MG 26-28  
    MULTINET\_SSH2\_HOSTKEY\_DIR MG 26-28  
    MULTINET\_SSH2\_KNOWNHOSTS\_DIR MG 26-28  
    NETCU\_STARTUP UG 19-1, NET 1-1  
    SSH\_DIR MG 26-26  
    SSH\_EXE MG 26-26  
    SSH\_LOG MG 26-27  
    SSH\_MAX\_SESSIONS MG 26-27  
    SSH\_TERM\_MBX MG 26-28  
    SSH2\_DIR MG 26-26, MG 26-28  
    TCPWARE\_ACECLIENT\_DATA\_DIRECTORY MG  
        22-4  
    TCPWARE\_ACECLIENT\_NETWORK MG 22-4  
    TCPWARE\_ACECLIENT\_PASSCODE\_TIME UG  
        19-3, MG 22-5  
    TCPWARE\_ACECLIENT\_CL UG 19-2, MG 22-4  
    TCPWARE\_ACECLIENT\_DATA\_DIRECTORY UG  
        19-3, MG 22-6  
    TCPWARE\_ACECLIENT\_ENABLE UG 19-3, MG  
        22-4  
    TCPWARE\_ACECLIENT\_NETWORK UG 19-3  
    TCPWARE\_ACECLIENT\_REMO UG 19-3, MG 22-5  
    TCPWARE\_ACECLIENT\_SHR UG 19-3, MG 22-5  
    TCPWARE\_DOMAINLIST UG 19-3, MG 3-2  
    TCPWARE\_DOMAINNAME UG 19-3, MG 3-2, PG  
        21-21, PG 21-52, PG 21-59  
    TCPWARE\_FTP\_220\_REPLY UG 19-4, MG 12-16  
    TCPWARE\_FTP\_221\_REPLY UG 19-4, MG 12-17  
    TCPWARE\_FTP\_230\_REPLY UG 19-4, MG 12-17  
    TCPWARE\_FTP\_421\_REPLY UG 19-5, MG 12-17,  
        MG 19-12  
    TCPWARE\_FTP\_ACCESS MG 12-18  
    TCPWARE\_FTP\_ALL\_VERSIONS UG 19-5, MG  
        12-18  
    TCPWARE\_FTP\_ALLOWCAPTIVE UG 19-6, MG  
        12-18  
    TCPWARE\_FTP\_ANONYMOUS\_230\_REPLY UG  
        19-6, MG 12-18  
    TCPWARE\_FTP\_ANONYMOUS\_RIGHTS UG 19-6,  
        MG 12-19, MG 19-12  
    TCPWARE\_FTP\_ANONYMOUS\_ROOT UG 19-6,  
        MG 12-6, MG 12-19, MG 19-12  
    TCPWARE\_FTP\_CONNECT\_BANNER MG 12-19  
    TCPWARE\_FTP\_DISALLOW\_UNIX\_STYLE UG 19-  
        7, MG 12-19  
    TCPWARE\_FTP\_DONT\_REPORT\_FILESIZE UG  
        19-7  
    TCPWARE\_FTP\_EXTENSION\_QUANTITY UG 19-  
        7  
    TCPWARE\_FTP\_GETHOST\_MAX\_TIME UG 19-7,  
        MG 12-20  
    TCPWARE\_FTP\_IDLE\_TIMEOUT UG 19-7, MG 12-  
        21  
    TCPWARE\_FTP\_INCLUDE\_DEVICE\_IN\_NLST MG  
        12-33  
    TCPWARE\_FTP\_KEEP\_DIR\_EXT UG 19-8  
    TCPWARE\_FTP\_LOG\_ALL\_USERS UG 19-8, MG  
        12-21  
    TCPWARE\_FTP\_LOGFILE UG 19-8, MG 12-7, MG  
        12-21, MG 19-12  
    TCPWARE\_FTP\_MAX\_SERVERS UG 19-8, MG  
        12-22  
    TCPWARE\_FTP\_MAXREC UG 19-9, MG 12-22  
    TCPWARE\_FTP\_MESSAGE\_FILE UG 19-9, MG  
        12-22  
    TCPWARE\_FTP\_OBSERVE\_VMS\_PROTECTION  
        MG 12-33  
    TCPWARE\_FTP\_ONLY\_BREAK\_ON\_CRLF UG  
        19-9, MG 12-23  
    TCPWARE\_FTP\_PASSWORD\_WARNING\_MESSA  
        GE UG 19-9, MG 12-23  
    TCPWARE\_FTP\_PASSWORD\_WARNING\_TIME U  
        G 19-9, MG 12-23  
    TCPWARE\_FTP\_PROMPT\_NODENAME MG 12-13  
    TCPWARE\_FTP\_RECEIVE\_THRESHOLD UG 19-  
        9, MG 12-23  
    TCPWARE\_FTP\_RECODE\_NONVMS\_FILE\_NAME  
        S UG 19-10, MG 12-23  
    TCPWARE\_FTP\_ROOT UG 19-10, MG 12-5, MG  
        12-6, MG 12-24  
    TCPWARE\_FTP\_SEMANTICS\_FIXED\_IGNORE\_C  
        C UG 19-11, MG 12-24  
    TCPWARE\_FTP\_SEMANTICS\_VARIABLE\_IGNORE  
        E\_CC UG 19-11, MG 12-25  
    TCPWARE\_FTP\_SERVER\_DATA\_PORT\_RANGE  
        UG 19-11, MG 12-25  
    TCPWARE\_FTP\_SERVER\_LOG\_LIMIT UG 19-11,  
        MG 12-5, MG 12-6, MG 12-25  
    TCPWARE\_FTP\_SERVER\_RELAXED\_PORT\_COM  
        MAND UG 19-11, MG 12-25  
    TCPWARE\_FTP\_SET\_DEFAULT\_TO\_ROOT MG



# TCPware Master Index

12-5  
TCPWARE\_FTP\_STRIP\_VERSION UG 19-12, MG 12-27  
TCPWARE\_FTP\_SYST\_BANNER UG 19-12, MG 12-27  
TCPWARE\_FTP\_UNIX\_STYLE\_BY\_DEFAULT UG 19-12, MG 12-28  
TCPWARE\_FTP\_UNIX\_STYLE\_CASE\_INSENSITIVE UG 19-12, MG 12-28  
TCPWARE\_FTP\_UNIX\_YEAR\_OLD\_FILES MG 12-28  
TCPWARE\_FTP\_username\_ROOT UG 19-10, MG 12-7, MG 12-24  
TCPWARE\_FTP\_WINDOW UG 19-13, MG 12-12, MG 12-28  
TCPWARE\_IMAP\_UDPATE\_LOGIN\_TIME MG 17-29  
TCPWARE\_KERBV4\_MAXAGE UG 19-13, MG 23-4, MG 23-5  
TCPWARE\_KERBV4\_PRIMARY UG 19-13, MG 23-4, MG 23-5  
TCPWARE\_KERBV4\_REALM UG 19-13, MG 23-4, MG 23-5  
TCPWARE\_KERBV4\_RLOGIN UG 19-13, MG 23-4  
TCPWARE\_KERBV4\_RSHELL UG 19-13, MG 23-4  
TCPWARE\_KERBV4\_SRVTYPE UG 19-13, MG 23-4  
TCPWARE\_KERBV4\_TELNET UG 19-13, MG 23-4  
TCPWARE\_KERBV4\_TKFILE UG 19-13, MG 23-4  
TCPWARE\_LINE MG 5-25  
TCPWARE\_LPD\_DEFAULT\_USER MG 15-11  
TCPWARE\_LPD\_DEFAULT\_USER UG 19-13, MG 15-9  
TCPWARE\_LPD\_OPTIONS UG 19-13, MG 15-11  
TCPWARE\_LPD\_qname\_FORM\* MG 15-11  
TCPWARE\_LPD\_qname\_OPTION MG 15-11  
TCPWARE\_LPD\_qname\_PARAMETER\* MG 15-12  
TCPWARE\_LPD\_qname\_QUEUE\* MG 15-12  
TCPWARE\_LPD\_qname\_OPTION UG 19-14  
TCPWARE\_LPD\_qname\*\_FORM UG 19-14  
TCPWARE\_LPD\_qname\*\_PARAMETER UG 19-14  
TCPWARE\_LPD\_qname\*\_QUEUE UG 19-14  
TCPWARE\_LPD\_SPOOL UG 19-14, MG 15-9, MG 15-12  
TCPWARE\_LPR\_PRINTER UG 19-14, MG 15-6  
TCPWARE\_LPR\_qname\_PRINTER MG 15-5  
TCPWARE\_LPR\_qname\_PRINTER\_DEFAULT MG 15-5  
TCPWARE\_LPR\_qname\_PRINTER UG 19-14  
TCPWARE\_LPR\_qname\_PRINTER\_DEFAULT UG 19-14  
TCPWARE\_LPR\_QUEUES UG 19-15, MG 15-5  
TCPWARE\_LPR\_SPOOL UG 19-15, MG 15-5  
TCPWARE\_LPRSM UG 19-15  
TCPWARE\_LPRSM\_qname\_PRECONN MG 15-7  
TCPWARE\_LPRSM\_qname\_RETRY\_INTERVAL MG 15-7  
TCPWARE\_LPRSM\_qname\_TIMEOUT MG 15-7  
TCPWARE\_LPRSM\*\_RETRY\_INTERVAL MG 15-7  
TCPWARE\_LPRSM\*\_TIMEOUT MG 15-7  
TCPWARE\_NAMED\_MAX\_CACHE\_TTL UG 19-15  
TCPWARE\_NAMESERVERS UG 19-15, MG 3-2  
TCPWARE\_NFS\_ACCESS\_IDENTIFIER UG 19-15, MG 14-16  
TCPWARE\_NFS\_DFLT\_GID UG 19-16, MG 14-20  
TCPWARE\_NFS\_DFLT\_UID UG 19-16, MG 14-20  
TCPWARE\_NFS\_DIRLIFE\_TIMER UG 19-16, MG 14-20  
TCPWARE\_NFS\_DIRREAD\_LIMIT UG 19-16, MG 14-20  
TCPWARE\_NFS\_DIRTIME\_TIMER UG 19-16, MG 14-20  
TCPWARE\_NFS\_DYNAMIC\_EXPORT UG 19-16, MG 14-5  
TCPWARE\_NFS\_DYNAMIC\_PROXY UG 19-17, MG 14-4  
TCPWARE\_NFS\_FILE\_CACHE\_SIZE UG 19-17, MG 14-21  
TCPWARE\_NFS\_LOG\_CLASS UG 19-17, MG 14-17  
TCPWARE\_NFS\_NOCHECKSUM UG 19-17, MG 14-21  
TCPWARE\_NFS\_OPENFILE\_TIMER UG 19-17, MG 14-21  
TCPWARE\_NFS\_PCNFSD\_DFLTPRTOPT UG 19-17, MG 14-21  
TCPWARE\_NFS\_PCNFSD\_ENABLE UG 19-17, MG 14-19  
TCPWARE\_NFS\_PCNFSD\_JOB\_LIMIT UG 19-18, MG 14-22  
TCPWARE\_NFS\_PCNFSD\_PRINTER UG 19-18, MG 14-22  
TCPWARE\_NFS\_PCNFSD\_PRINTER\_LIMIT UG 19-18, MG 14-22  
TCPWARE\_NFS\_PCNFSD\_SPOOL UG 19-18, MG 14-19  
TCPWARE\_NFS\_PORT UG 19-18, MG 14-22  
TCPWARE\_NFS\_SECURITY UG 19-19, MG 14-17  
TCPWARE\_NFS\_TCP\_THREADS UG 19-19, MG 14-22  
TCPWARE\_NFS\_UDP\_THREADS UG 19-19, MG 14-22  
TCPWARE\_NFS\_XID\_CACHE\_SIZE UG 19-19, MG 14-23  
TCPWARE\_PCNFSD\_DFLTPRTOPT UG 19-20, MG 14-21  
TCPWARE\_POP3\_UDPATE\_LOGIN\_TIME MG 17-33  
TCPWARE\_PPPD\_DEBUG\_LEVEL UG 19-20, MG 5-19  
TCPWARE\_PPPD\_OPCOM\_LEVEL UG 19-20, MG 5-19  
TCPWARE\_QUOTE UG 19-20, MG 32-24  
TCPWARE\_RCMD\_FLAGS UG 19-20, MG 16-2

TCPWARE\_RCMD\_OUTPUT UG 19-20, MG 16-4,  
MG 16-5  
TCPWARE\_RES\_OPTIONS UG 19-20, MG 3-2  
TCPWARE\_RES\_RETRANS\_MIN UG 19-20  
TCPWARE\_RES\_RETRIES UG 19-21  
TCPWARE\_SCP2\_CONNECT\_TIMEOUT UG 17-8  
TCPWARE\_SCP2\_VMS\_MODE\_BY\_DEFAULT UG  
17-8  
TCPWARE\_SLIP\_ UG 19-22  
TCPWARE\_SLIP\_n MG 5-20  
TCPWARE\_SNMP\_DEBUG PG 10-3  
TCPWARE\_SSH\_SCP\_SERVER\_DEBUG UG 17-8  
TCPWARE\_SSH\_SFTP\_SERVER\_DEBUG UG 17-  
9, UG 19-21  
TCPWARE\_SVCORDER UG 19-27, PG 21-23  
TCPWARE\_TCLB\_BIAS UG 19-28, MG 3-45  
TCPWARE\_TELNET\_WINDOW UG 19-28  
TCPWARE\_TELNETD\_DEFCHAR UG 19-28, MG  
18-4  
TCPWARE\_TELNETD\_FLAGS UG 19-28  
TCPWARE\_TELNETD\_INTRO\_MSG UG 19-29,  
MG 19-14  
TCPWARE\_TELNETD\_NO\_FORCED\_HANGUP U  
G 19-28, MG 18-2, MG 18-4  
TCPWARE\_TIMED\_EXCLUDE UG 19-29, MG 11-4  
TCPWARE\_TIMED\_INCLUDE UG 19-29  
TCPWARE\_TIMED\_MODE UG 19-29, MG 11-4  
TCPWARE\_TIMEZONE UG 19-29, PG 21-76  
TCPWARE\_TSSYM\_ UG 19-30  
TCPWARE\_TSSYM\_qname MG 15-16, MG 15-17  
TCPWARE\_TSSYM\_qname\_  
RETRY\_INTERVAL MG 15-20  
TCPWARE\_TSSYM\_qname\_TIMEOUT MG 15-20  
TCPWARE\_TSSYM\_qname\_RETRY\_INTERVAL U  
G 19-30  
TCPWARE\_TSSYM\_qname\_TIMEOUT UG 19-30  
TCPWARE\_TSSYM\_\*\_RETRY\_INTERVAL UG 19-  
30, MG 15-20  
TCPWARE\_TSSYM\_\*\_TIMEOUT MG 15-20  
TCPWARE\_TSSYM\_\*\_TIMEOUT UG 19-30  
TCPWARE\_VMSLPR SMB\_qname\_PRECONN UG  
19-30  
TCPWARE\_VMSLPR SMB\_qname\_PRECONN MG  
15-6  
TCPWARE\_VMSLPR SMB\_qname\_RETRY\_INTERV  
AL UG 19-30, MG 15-6  
TCPWARE\_VMSLPR SMB\_qname\_TIMEOUT UG  
19-30, MG 15-6  
TCPWARE\_VMSLPR SMB\_\*\_RETRY\_INTERVAL U  
G 19-30, MG 15-6  
TCPWARE\_VMSLPR SMB\_\*\_TIMEOUT UG 19-31,  
MG 15-6  
TELNET\_WINDOW MG 18-2  
TELNETD\_DEFCHAR MG 18-2  
TELNETD\_FLAGS MG 18-2  
TELNETD\_INTRO\_MSG MG 18-2  
TT2\$M\_HANGUP MG 18-4  
UCX\$DEVICE UG 19-31, PG 2-3  
UCX\$INET\_HOST UG 19-31, PG 2-3  
UCX\$IPC\_SHR UG 19-31, PG 2-3  
WIN/TCP PG 21-11  
login interfaces UG 14-3  
LOWERCASE UG 3-77  
LPD protocol MG 15-21  
LPD Server  
access file  
creating MG 15-9  
description MG 15-9  
format MG 15-9  
name MG 15-9  
sample MG 15-10  
username logical MG 15-10  
command qualifiers MG 15-11  
control files MG 15-9  
data files MG 15-9  
description MG 15-7  
function MG 15-7  
option MG 15-8  
troubleshooting MG 15-13  
use of /etc/printcap file MG 15-7  
LPD server  
configuring the IG 4-32  
LPD server access file  
building the IG 4-33  
LPQ UG 5-6  
LPR UG 5-8  
LPR command, Line Printer Services MG 15-10  
LPRM UG 5-12  
LPS  
client commands  
LPQ MG 15-2  
LPR MG 15-2  
LPRM MG 15-2  
PRINT MG 15-2  
print forms, DEFINE/FORM qualifiers MG 15-3  
print symbionts  
TCPWARE\_LPR SMB MG 15-2  
TCPWARE\_VMSLPR SMB MG 15-2  
system logicals, VMSLPR SMB tuning logicals MG  
15-6  
LPS client OpenVMS print queues  
configuring the IG 4-30  
LPS for batch startup  
configuring the IG 4-32  
LS command, NSLOOKUP MG 32-10  
LSERVER command, NSLOOKUP MG 32-14

---

## M

### Mail

Exchanger (MX) record, DNS MG 3-29

# TCPware Master Index

- Information (MINFO) record, DNS MG 3-27
  - mail
    - delivery mechanisms, using MG 17-7
    - parameters MG 17-17
  - mail monitoring MIB
    - MtaFailedConvertedMessages MG 17-13
    - MtaLoopsDetected MG 17-14
    - MtaReceivedMessages MG 17-13
    - MtaReceivedRecipients MG 17-13
    - MtaReceivedVolume MG 17-13
    - MtaStoredMessages MG 17-13
    - MtaStoredRecipients MG 17-13
    - MtaStoredVolume MG 17-13
    - MtaSuccessfulConvertedMessages MG 17-13
    - MtaTransmittedMessages MG 17-13
    - MtaTransmittedRecipients MG 17-13
    - MtaTransmittedVolume MG 17-13
  - Mailbox
    - Group (MG) record, DNS MG 3-26
    - Rename (MR) record, DNS MG 3-28
    - (MB) record, DNS MG 3-25
  - mailbox UG 19-2, MG 25-28, MG 26-28, MG 35-2
  - MAIL-CONFIG commands NET 1-12, NET 3-1
    - ADD GATEWAY NET 1-12, NET 3-2
    - ADD LOCAL-DOMAIN NET 1-12, NET 3-3
    - ADD QUEUE-GROUP NET 1-12, NET 3-4
    - ALIAS-FILE NET 3-19
    - ATTACH NET 1-12, NET 3-5
    - CLEAR NET 1-12, NET 3-6
    - DECNET-DOMAIN NET 3-20
    - DELETE GATEWAY NET 1-12, NET 3-7
    - DELETE LOCAL-DOMAIN NET 1-12, NET 3-8
    - DELETE QUEUE-GROUP NET 1-12, NET 3-9
    - DELIVERY-RECEIPTS NET 3-21
    - DISABLE-PSIMAIL NET 3-22
    - ERASE NET 1-12, NET 3-10
    - EXIT NET 1-12, NET 3-11
    - GATEWAY NET 3-16
    - GET NET 1-12, NET 3-12
    - HELP NET 1-12, NET 3-13
    - PUSH NET 1-12, NET 3-14
    - QUEUE-GROUP NET 3-17
    - QUIT NET 1-12, NET 3-15
    - REMOVE GATEWAY NET 1-13
    - REMOVE QUEUE-GROUP NET 1-13
    - SAVE NET 1-13, NET 3-18
    - SET ALIAS-FILE NET 1-13
    - SET DECNET-DOMAIN NET 1-13
    - SET DELIVERY-RECEIPTS NET 1-13
    - SET DISABLE-PSIMAIL NET 1-13
    - SET DISALLOW-USER-REPLY-TO NET 1-13, NET 3-23
    - SET FORWARDER NET 1-13, NET 3-24
    - SET FORWARD-LOCAL-MAIL NET 1-13, NET 3-25
    - SET FORWARD-REMOTE-MAIL NET 1-13, NET 3-26
  - SET HEADER-CONTROL NET 1-13, NET 3-27
  - SET HOST-ALIAS-FILE NET 1-13, NET 3-28
  - SET LOCAL-MAIL-FORWARDER NET 1-13, NET 3-29
  - SET LOCAL-USERNAME NET 3-30
  - SET POSTMASTER NET 1-13, NET 3-31
  - SET QUEUE-COUNT NET 1-13, NET 3-32
  - SET REPLY-CONTROL NET 1-14, NET 3-33
  - SET RESENT-HEADERS NET 1-14, NET 3-34
  - SET RETRY-INTERVAL NET 1-14, NET 3-35
  - SET RETURN-INTERVAL NET 1-14, NET 3-36
  - SET RFC822-TO-HEADER NET 3-37
  - SET SEND-BROADCAST-CLASS NET 1-14, NET 3-38
  - SET SMTP-HOST-NAMES NET 1-14, NET 3-39
  - SET START-QUEUE-MANAGE NET 1-14
  - SET START-QUEUE-MANAGER NET 3-40
  - SHOW NET 1-14, NET 3-41
  - SPAWN NET 1-14, NET 3-42
  - STATUS NET 1-14, NET 3-43
  - USE NET 1-14, NET 3-44
  - VERSION NET 1-14, NET 3-45
  - WRITE NET 1-14, NET 3-46
- mail, transferring UG 2-7
  - maintenance agreement number
    - entering your IG 3-5
  - Management Information Base (MIB) MG 7-2
  - MAP command, X.25 mapping database MG 8-7, MG 8-8
  - Maximum Transmission Unit (MTU)
    - IP-over-X.25 configuration MG 8-2
  - messages, exchanging UG 2-7
  - MIME Media Types MG 15-21
  - MINFO record MG 3-27
  - Miscellaneous NETCU Commands NET 1-11
  - miscellaneous services
    - CHARGEND IG 4-35
      - configuring the IG 4-35
    - DAYTIMED IG 4-35
    - DISCARD IG 4-35
    - ECHOD IG 4-35
    - IDENT IG 4-35
    - QUOTED IG 4-35
    - TFTPD IG 4-35
    - TIME IG 4-35
  - miscellaneous utilities & services
    - CHARGEND service MG 32-2
    - DAYTIMED service MG 32-2
    - DISCARD utility MG 32-2
    - DISCARD service MG 32-2
    - ECHOD service MG 32-2
    - FINGERD service MG 32-2
    - NETCU DEBUG MG 32-3
  - modems
    - compression MG 5-25
    - data transfer mode MG 5-25

- MODIFY command
    - KDB NET 2-67
    - KERBEROS USER NET 2-69
    - SERVICE NET 2-70
      - protocol values NET 2-70
        - BG\_TCP NET 2-70
        - BG\_UDP NET 2-70
        - STREAM, DGRAM NET 2-70
        - TCP NET 2-70
        - UDP NET 2-70
  - mount
    - commands MG 13-14
    - point, Client-NFS MG 13-11
  - mount and dismount commands MG 13-27
  - MOUNT protocol MG 14-7
  - mounting filesystems
    - Client-NFS MG 13-11, MG 13-13
      - automounting MG 13-18
      - background mounting MG 13-18
      - cluster MG 13-12
      - MOUNT command MG 13-16
      - occluded mounts MG 13-19
      - overmounting MG 13-19
    - Server-NFS MG 14-7
  - mount/dismount sequence MG 13-18
  - multicast address, Socket Library PG 21-16
  - multicasting PG 1-17
  - multicasting command
    - SHOW MULTICAST\_GROUPS NET 1-3
  - Multi-Exit Discriminator (MED) MG 9-45
  - MULTINET IPP SHOW command
    - qualifier
      - APPEND MG 15-37
      - ATTRIBUTE MG 15-37
      - FORMAT MG 15-37
      - FULL MG 15-38
      - GLOBAL MG 15-38
      - OUTPUT MG 15-38
      - SYMBOL MG 15-38
  - MultiNet SSH server MG 25-2, MG 26-2
  - MULTINET SSHADD UG 16-32
  - MULTINET SSHAGENT UG 16-31
  - MULTINET SSHKEYGEN UG 16-28
  - MULTINET\_SFTP\_RETURN\_ALQ UG 17-8
  - MULTINET\_SSH\_SFTP\_SERVER\_DEBUG UG 17-9, UG 19-21
  - MX records MG 3-29
- 
- N**
- Name Server (NS) record, DNS MG 3-31
  - NAMED.
    - BOOT file MG 3-3
    - CONF options MG 3-7
      - allow-query MG 3-7
      - allow-transfer MG 3-7
      - check-names MG 3-8
      - directory MG 3-8
      - forward MG 3-9
      - forwarders MG 3-9
      - listen-on MG 3-9
      - notify MG 3-10
      - recursion MG 3-10
    - CONF zone fields MG 3-5
    - HOSTS file, overlapping clusters MG 3-43
    - NAMESERVER.LOG file MG 3-3, MG 3-41
    - national address MG 8-3
      - X.25 DNIC MG 8-3, MG 8-11
  - NETCP
    - OPCOM messages NET 1-16
    - startup messages NET 1-15
  - NETCP.LOG file NET 1-17
  - NETCU
    - ARP command
      - ADD NET 1-2
      - FIND NET 1-2
      - FLUSH NET 1-2
      - REMOVE NET 1-2
      - SET INTERFACE NET 1-2
      - SHOW NET 1-2
      - SHOW INTERFACE NET 1-2
    - command reference NET 1-15
  - DHCP commands
    - RELEASE NET 1-2
    - SET NET 1-2
    - SHOW NET 1-2
    - STOP/ NET 1-2
    - UPDATE NET 1-3
  - Dynamic Host Configuration commands NET 1-2
  - exiting NET 1-15
  - GateD command
    - CHECK GATED CONFIG MG 9-7
    - DUMP GATED STATE MG 9-7
    - LOAD GATED CONFIG MG 9-7
    - SET GATED TRACE MG 9-7
    - SHOW GATED TRACE MG 9-7
    - SHOW OSPF ADVERTISE MG 9-7
    - SHOW OSPF AS MG 9-7
    - SHOW OSPF DESTINATIONS MG 9-7
    - SHOW OSPF ERRORS MG 9-7
    - SHOW OSPF HOPS MG 9-7
    - SHOW OSPF INTERFACES MG 9-7
    - SHOW OSPF LOG MG 9-7
    - SHOW OSPF NEIGHBORS MG 9-7
    - SHOW OSPF ROUTING MG 9-7
    - SHOW OSPF STATE MG 9-8
    - SHOW RIP MG 9-8
    - STOP/GATED MG 9-8
    - TOGGLE GATED TRACING MG 9-8
    - UPDATE GATED INTERFACES MG 9-8
  - miscellaneous commands

# TCPware Master Index

- ADD SECONDARY NET 1-11
- DEFINE/KEY NET 1-11
- EXIT NET 1-11
- HELP NET 1-11
- REMOVE SECONDARY NET 1-11
- SET DOMAINNAME NET 1-11
- SET PASSWORD NET 1-11
- SET/SHOW INTERFACE NET 1-11
- SHOW SNMP NET 1-11
- SHOW TIMEZONE NET 1-11
- SHOW VERSION NET 1-11
- SPAWN NET 1-11
- multicasting commands NET 1-3
  - ADD MULTICAST\_GROUP NET 1-3
  - REMOVE MULTICAST\_GROUP NET 1-3
  - SHOW MULTICAST\_GROUPS NET 1-3
- NFS commands NET 1-3
  - ADD EXPORT NET 1-3
  - ADD GROUP NET 1-3
  - ADD PROXY NET 1-3
  - ADD SM NET 1-3
  - CREATE EXPORT NET 1-3
  - CREATE GROUP NET 1-3
  - CREATE PROXY NET 1-3
  - FIND PROXY NET 1-4
  - RELOAD GROUP NET 1-4
  - RELOAD PROXY NET 1-4
  - REMOVE EXPORT NET 1-4
  - REMOVE GROUP NET 1-4
  - REMOVE PROXY NET 1-4
  - REMOVE SM NET 1-4
  - SHOW EXPORT NET 1-4
  - SHOW GROUP NET 1-4
  - SHOW MOUNT NET 1-4
  - SHOW PROXY NET 1-4
  - SHOW SM NET 1-4
  - SHOW STATISTICS NET 1-4
  - STOP/SERVER NET 1-4
  - UNMOUNT ALL NET 1-4
- OPCOM messages
  - interfaces NET 1-17
  - IP-over-DECnet lines NET 1-17
- routing commands NET 1-5
  - ADD ROUTE NET 1-5
  - CHECK GATED CONFIG NET 1-5
  - DISABLE FORWARDING NET 1-5
  - DISABLE REDIRECTS NET 1-5
  - DUMP GATED STATE NET 1-5
  - ENABLE FORWARDING NET 1-5
  - ENABLE REDIRECTS NET 1-5
  - FIND ROUTE NET 1-5
  - FLUSH/ROUTE NET 1-5
  - LOAD GATED CONFIGURATION NET 1-6
  - REMOVE ROUTE NET 1-6
  - SET GATED TRACE NET 1-6
  - SET GATEWAY NET 1-6
  - SHOW GATED TRACE NET 1-6
  - SHOW OSPF NET 1-6
  - SHOW RIP NET 1-6
  - SHOW ROUTES NET 1-6
  - STOP/GATED NET 1-6
  - TOGGLE GATED TRACING NET 1-6
  - UPDATE GATED INTERF NET 1-6
- running NET 1-1
- security commands NET 1-9
  - ADD KACL NET 1-9
  - ADD KDB NET 1-9
  - ADD KERBEROS USER NET 1-9
  - CREATE KDB NET 1-10
  - CREATE SRVTAB NET 1-10
  - DUMP KDB NET 1-10
  - GET TGT NET 1-10
  - LOAD KDB NET 1-10
  - MODIFY KDB NET 1-10
  - MODIFY KERBEROS USER NET 1-10
  - REMOVE KACL NET 1-10
  - REMOVE KDB NET 1-10
  - REMOVE TICKETS NET 1-10
  - SET IPS NET 1-10
  - SET KERBEROS\_PASS NET 1-10
  - SET MASTER\_PASS NET 1-10
  - SHOW FILTER NET 1-10
  - SHOW IPS NET 1-10
  - SHOW IPSO NET 1-10
  - SHOW KACL NET 1-10
  - SHOW KDB NET 1-10
  - SHOW KERBEROS USER NET 1-11
  - SHOW OUTGOING NET 1-11
  - SHOW TICKETS NET 1-11
  - STASH MASTER\_PASS NET 1-11
- service commands NET 1-6
  - ADD ACCESS\_LIST NET 1-6
  - ADD SERVICE NET 1-6
  - MODIFY SERVICE NET 1-6
  - REMOVE ACCESS\_LIST NET 1-6
  - REMOVE SERVICE NET 1-6
  - SHOW ACCESS\_LIST NET 1-6
  - SHOW SERVICES NET 1-6
- SET commands NET 1-5
- starting and stopping commands NET 1-7
  - KILL CONNECTIONS NET 1-7
  - START/DNIP NET 1-7
  - START/INET NET 1-7
  - START/IP NET 1-7
  - START/PWIP NET 1-7
  - START/TCP NET 1-7
  - START/UCX NET 1-7
  - START/UDP NET 1-7
  - STOP/DNIP NET 1-7
  - STOP/GATED NET 1-7
  - STOP/INET NET 1-7
  - STOP/IP NET 1-7

- STOP/NETCP NET 1-7
- STOP/PWIP NET 1-7
- STOP/SERVER NET 1-7
- STOP/TCP NET 1-7
- STOP/UCX NET 1-7
- STOP/UDP NET 1-7
- startup messages NET 1-15
- status commands NET 1-8
  - DEBUG/IP NET 1-8
  - DEBUG/TCP NET 1-8
  - DEBUG/UPD NET 1-8
  - SHOW NET 1-8
  - SHOW ACCESS\_LIST NET 1-8
  - SHOW ARP NET 1-8
  - SHOW CONNECTIONS NET 1-8
  - SHOW COUNTERS NET 1-8
  - SHOW DHCP NET 1-8
  - SHOW DNIP NET 1-9
  - SHOW GATED TRACE NET 1-9
  - SHOW HOST NET 1-9
  - SHOW INTERFACE NET 1-9
  - SHOW MULTICAST\_GROUPS NET 1-9
  - SHOW NETWORKS NET 1-9
  - SHOW OSPF NET 1-9
  - SHOW RIP NET 1-9
  - SHOW ROUTES NET 1-9
  - SHOW SERVICES NET 1-9
  - SHOW SNMP NET 1-9
  - SHOW STATISTICS NET 1-9
- token authentication commands NET 1-8
  - ADD ACE\_USER NET 1-8
  - CREATE ACE\_USER\_DATABASE NET 1-8
  - REMOVE ACE\_USER NET 1-8
  - SHOW ACE\_USER NET 1-8
- troubleshooting NET 1-15
- NETCU Commands
  - SET KERBEROS\_PASSWORD NET 2-113
  - SHOW DNIP NET 2-138
- NETCU commands
  - ADD ACCESS\_LIST NET 2-2
  - ADD ACE\_USER NET 2-4
  - ADD ARP NET 2-6
  - ADD EXPORT NET 2-8
  - ADD GROUP NET 2-11
  - ADD KACL NET 2-13
  - ADD KDB NET 2-15
  - ADD KERBEROS\_USER NET 2-17
  - ADD MULTICAST\_GROUP NET 2-18
  - ADD PROXY NET 2-19
  - ADD ROUTE NET 2-21
  - ADD SECONDARY NET 2-23
  - ADD SERVICE NET 2-24
  - CHECK GATED CONFIGURATION NET 2-30
  - CREATE ACE\_USER\_DATABASE NET 2-31
  - CREATE EXPORT NET 2-32
  - CREATE GROUP NET 2-33
  - CREATE KDB NET 2-34
  - CREATE PROXY NET 2-35
  - CREATE SRVTAB NET 2-36
  - DEBUG/IP NET 2-38
  - DEBUG/TCP NET 2-40
  - DEBUG/UDP NET 2-43
  - DEFINE TIMEZONE NET 2-48
  - DEFINE/KEY NET 2-45
  - DISABLE FORWARDING NET 2-49
  - DISABLE REDIRECTS NET 2-50
  - DUMP GATED STATE NET 2-51
  - DUMP KDB NET 2-52
  - DUMP NAMED NET 2-53
  - ENABLE FORWARDING NET 2-55
  - ENABLE REDIRECTS NET 2-56
  - EXIT NET 2-57
  - FIND ARP NET 2-58
  - FIND PROXY NET 2-59
  - FIND ROUTE NET 2-60
  - FLUSH NET 2-61
  - GET TGT NET 2-62
  - HELP NET 2-63
  - KILL CONNECTIONS NET 2-64
  - LOAD GATED CONFIGURATION NET 2-65
  - LOAD KDB NET 2-66
  - MODIFY KDB NET 2-67
  - MODIFY KERBEROS\_USER NET 2-69
  - MODIFY SERVICE NET 2-70
  - RELOAD GROUP NET 2-72
  - RELOAD NAMED NET 2-73
  - RELOAD PROXY NET 2-75
  - REMOVE ACCESS\_LIST NET 2-77
  - REMOVE ACE\_USER NET 2-76
  - REMOVE ARP NET 2-78
  - REMOVE DHCP NET 2-79
  - REMOVE EXPORT NET 2-80
  - REMOVE GROUP NET 2-81
  - REMOVE KACL NET 2-82
  - REMOVE KDB NET 2-84
  - REMOVE MULTICAST\_GROUP NET 2-86
  - REMOVE PROXY NET 2-87
  - REMOVE ROUTE NET 2-89
  - REMOVE SECONDARY NET 2-90
  - REMOVE SERVICE NET 2-91
  - REMOVE TICKETS NET 2-92
  - SET NET 2-93
  - SET BG\_ NET 2-96
  - SET DHCP NET 2-97
  - SET DOMAINNAME NET 2-98
  - SET FILTER NET 2-99
  - SET GATED TRACE NET 2-101
  - SET GATEWAY NET 2-103
  - SET INET NET 2-104
  - SET INTERFACE NET 2-105
  - SET IPSO NET 2-108

# TCPware Master Index

SET LOG NET 2-114  
SET LOG /NFS NET 2-114  
SET MASTER\_PASSWORD NET 2-116  
SET NAMED\_MAXIMUM\_TTL NET 2-119  
SET NAMED\_MINIMUM\_TTL NET 2-120  
SET OUTGOING\_ACCESS\_RESTRICTIONS NET  
2-121  
SET SSH /DEBUG NET 2-122  
SET TIMEZONE NET 2-123  
SHOW NET 2-124  
SHOW ACCESS\_LISTS NET 2-128  
SHOW ACE\_USER NET 2-127  
SHOW ARP NET 2-129  
SHOW CONNECTIONS NET 2-131  
SHOW COUNTERS NET 2-133  
SHOW DHCP NET 2-135  
SHOW EXPORT NET 2-140  
SHOW FILTER NET 2-142  
SHOW GATED TRACE NET 2-144  
SHOW GROUP NET 2-145  
SHOW HOST NET 2-146  
SHOW INTERFACE NET 2-147  
SHOW IPSO NET 2-149  
SHOW KACL NET 2-153  
SHOW KDB NET 2-154  
SHOW KERBEROS\_USER NET 2-156  
SHOW LOGICAL NET 2-178  
SHOW MOUNT NET 2-157  
SHOW MULTICAST\_GROUPS NET 2-158  
SHOW NAMED\_VERSION NET 2-183  
SHOW NETWORKS NET 2-159  
SHOW OSPF NET 2-160  
SHOW  
    OUTGOING\_ACCESS\_RESTRICTIONS NET  
2-168  
SHOW PROXY NET 2-169  
SHOW RIP NET 2-170  
SHOW ROUTES NET 2-172  
SHOW SERVICES NET 2-174  
SHOW SNMP NET 2-177  
SHOW SSH NET 2-178  
SHOW STATISTICS NET 2-178  
SHOW TICKETS NET 2-181  
SHOW TIMEZONE NET 2-182  
SHOW VERSION NET 2-184  
SPAWN NET 2-185  
START/DNIP NET 2-186  
START/INET NET 2-187  
START/IP NET 2-188  
START/PWIP NET 2-196  
START/TCP NET 2-197  
START/UCX NET 2-200  
START/UDP NET 2-201  
STASH MASTER\_PASSWORD NET 2-202  
STOP /SSH NET 2-213  
STOP/DHCP NET 2-203  
STOP/DNIP NET 2-204  
STOP/DNS NET 2-205  
STOP/GATED NET 2-206  
STOP/INET NET 2-207  
STOP/IP NET 2-208  
STOP/NAMED NET 2-209  
STOP/NETCP NET 2-210  
STOP/PWIP NET 2-211  
STOP/SERVER NET 2-212  
STOP/TCP NET 2-214  
STOP/UCX NET 2-215  
STOP/UDP NET 2-216  
TCPDUMP NET 2-217  
TOGGLE GATED TRACING NET 2-218  
UNMOUNT ALL NET 2-219  
UPDATE GATED INTERFACES NET 2-221  
VERSION NET 2-222  
WRITE NET 2-222  
NETCU output files  
    creating NET 1-14  
netent structure, Socket Library PG 21-9  
netgroups MG 25-27, MG 26-25  
Network  
    Control Utility (NETCU) MG 15-13  
    File System (NFS)  
        requests and replies, monitoring using  
        TCPDUMP MG 32-31  
    Lock Manager (NLM) MG 14-8  
    Status Monitor (NSM) MG 14-8  
    Time Protocol (NTP) MG 10-1  
        Kerberos use of MG 19-5  
network  
    device drivers, programming PG 1-7  
    drives, accessing UG 2-8  
    functions, controlling UG 2-10  
    interfaces, programming UG 2-16  
    interfaces, unnumbered MG 5-10, MG 5-23  
    name, X.25 MG 8-6  
    print services command  
        LPQ UG 5-2  
        LPR UG 5-2  
        LPRM UG 5-2  
        PRINT UG 5-2  
    programming interfaces  
        FTP library UG 2-16  
        QIO programming interfaces UG 2-16  
        SNMP extendible agent UG 2-17  
        socket library UG 2-16  
        TELNET library UG 2-16  
        token authentication ACE/Client API  
            functions UG 2-17  
        UCX compatibility services UG 2-16  
    programming with sockets PG 1-11  
    testing tools MG 32-1  
        FINGER UG 2-11  
        IDENT UG 2-11

- NSLOOKUP UG 2-11
- PING UG 2-12
- TCPDUMP utility UG 2-12
- TRACEROUTE UG 2-12
- WHOIS UG 2-12
- time, changing MG 11-3
- network classes and masks NET 2-192
- Network Control Utility (NETCU) NET 1-1
- network device addresses
  - entering IG 3-10
- network device information
  - tips for entering IG 3-11
- network devices IG 3-8
- network print services UG 5-2
- network service monitoring MG 12-7
  - items
    - ApplAccumulatedInboundAssociations MG 12-7
    - ApplDescription MG 12-7
    - ApplInboundAssociations MG 12-7
    - ApplIndex MG 12-7
    - ApplLastChange MG 12-8
    - ApplLastInboundActivity MG 12-8
    - ApplName MG 12-8
    - ApplOperStatus MG 12-8
    - ApplRejectedInboundAssociations MG 12-8
    - ApplUptime MG 12-8
    - ApplVersion MG 12-8
- Network Time Protocol
  - configuring the IG 4-45
- next-server parameter MG 4-8
- NFS server
  - starting and restarting IG 4-43
  - testing IG 4-44
- NFS statistics
  - Files NET 2-178
  - Memory in use NET 2-178
  - MOUNT NET 2-180
  - NFS NET 2-179
  - RPC NET 2-179
  - RPC Errors NET 2-179
  - Started NET 2-178
  - Threads NET 2-178
  - Uptime NET 2-178
- NFS user identification MG 13-3
- NFS\_ACCESS\_IDENTIFIER parameter MG 14-16
- NFS\_DFTL\_GID parameter MG 14-20
- NFS\_DFTL\_UID parameter MG 14-20
- NFS\_DIRLIFE\_TIMER parameter MG 14-20
- NFS\_DIRREAD\_LIMIT parameter MG 14-20
- NFS\_DIRTIME\_TIMER parameter MG 14-20
- NFS\_FILE\_CACHE\_SIZE parameter MG 14-21
- NFS\_LOG\_CLASS parameter MG 14-17
- NFS\_NOCHECKSUM parameter MG 14-21
- NFS\_OPENFILE\_TIMER parameter MG 14-21
- NFS\_PCNFSD\_DFLTPTOPT parameter MG 14-21
- NFS\_PCNFSD\_ENABLE parameter MG 14-19
- NFS\_PCNFSD\_JOB\_LIMIT parameter MG 14-22
- NFS\_PCNFSD\_PRINTER parameter MG 14-22
- NFS\_PCNFSD\_PRINTER\_LIMIT parameter MG 14-22
- NFS\_PCNFSD\_SPOOL parameter MG 14-19
- NFS\_PORT parameter MG 14-22
- NFS\_SECURITY parameter MG 14-17
- NFS\_TCP\_THREADS parameter MG 14-22
- NFS\_UDP\_THREADS parameter MG 14-22
- NFS\_XID\_CACHE\_SIZE parameter MG 14-23
- NFSDISMOUNT command, Client-NFS MG 13-40
- NFSFile Ownership and Protection MG 13-5
- NFSMOUNT command MG 13-13, MG 13-29
- NFSMOUNT /CONFIG command, Client-NFS MG 13-36
- NFSMOUNT /LOCK command MG 13-19
- NFSMOUNT /SHOW command, Client-NFS MG 13-38
- NFSOpenVMS Client
  - NFS?OpenVMS Client
    - filename mapping rules MG 33-1
- NFSOpenVMS Client
  - NFS?OpenVMS Client MG 13-1
- NFS-OpenVMS Client
  - attributes data files (ADFs) MG 13-20
  - cache space, increasing MG 13-26
  - cache timeout, setting MG 13-22
  - default GID, setting MG 13-22
  - default UID, setting MG 13-22
  - default user, setting MG 13-22
  - delta time, using MG 13-27
  - disk quotas, displaying MG 13-26
  - file locking MG 13-12
  - file protection mask MG 13-6, MG 13-7
  - file version mapping rules MG 13-10, MG 13-11
  - file versions, limiting MG 13-22
  - GID protection MG 13-3
  - GROUP database MG 13-3, MG 13-5
  - IBM VM server type setting MG 13-24
  - implementation MG 13-27
  - master file directory (MFD) MG 13-11
  - mount
    - background MG 13-18
    - occluded MG 13-19
    - options setting MG 13-20
    - overmounting MG 13-19
  - mount device specification MG 13-11
  - mount point MG 13-11
  - mount type, setting MG 13-23
  - mounting filesystems MG 13-11, MG 13-13
    - cluster MG 13-12
  - mount, automounting MG 13-18
  - POSIX limitation MG 13-27
  - privileges MG 13-9
  - protection mapping, client to server MG 13-9
  - PROXY database MG 13-3, MG 13-4
  - read/write transfer size, setting MG 13-22



# TCPware Master Index

- retry time, setting MG 13-25
  - security auditing MG 13-16
  - server concept MG 13-1
  - server type, setting MG 13-23
  - special users MG 13-9
  - superusers MG 13-23
  - symbolic links MG 13-15
  - TCPWARE server type setting MG 13-24
  - template device MG 13-11
  - text files, autoconverting MG 13-20
  - timeout time, setting MG 13-25
  - troubleshooting MG 13-28
  - UIC protection MG 13-4
  - UID protection MG 13-3
  - user identification MG 13-3
  - virtual directory MG 13-12
  - volume labels, setting MG 13-26
  - /etc/group file MG 13-3
  - NFS-OpenVMS client
    - configuring the IG 4-4
  - NFSOpenVMS Server
    - NFS?OpenVMS Server
      - filename mapping rules MG 33-1
  - NFSOpenVMS Server
    - NFS?OpenVMS Server MG 14-1
  - NFS-OpenVMS Server MG 14-1
    - default, GID setting MG 14-20
    - default, UID setting MG 14-20
    - delta time, using MG 14-20
    - EXPORT database MG 14-4
  - file
    - attribute mapping MG 14-11
      - UNIX to OpenVMS MG 14-12
    - conversion MG 14-14
    - converting manually MG 14-15
    - formats MG 14-14
    - locking MG 14-8
      - NFS client's view of MG 14-8
      - OpenVMS user's view of MG 14-9
    - protection MG 14-10
      - UIC in OpenVMS MG 14-10
      - UID/GID in UNIX MG 14-11
    - protection, ACL MG 14-13
    - version mapping rules MG 13-10
  - filename translation MG 14-9
  - files
    - reading MG 14-14
    - writing MG 14-14
  - GID protection MG 14-2
  - implementation MG 14-23
  - log file MG 14-17
  - parameters
    - advanced MG 14-19
    - basic MG 14-16
  - protocol procedures MG 14-24
    - create MG 14-24
  - getattr MG 14-25
  - link MG 14-26
  - lookup MG 14-26
  - mkdir MG 14-26
  - read MG 14-27
  - readdir MG 14-26
  - readlink MG 14-27
  - remove MG 14-27
  - rename MG 14-27
  - rmdir MG 14-27
  - setattr MG 14-27
  - statfs MG 14-26
  - symlink MG 14-27
  - write MG 14-28
- PROXY database MG 14-2
- reading files MG 14-14
- restrictions MG 14-24
- security MG 19-12
  - features MG 14-1
- stream\_if-to-variable conversion MG 14-15
- STREAM-LF files MG 14-14
- troubleshooting MG 14-32
- UIC protection MG 14-2
- UID protection MG 14-2
- variable-to-stream conversion MG 14-15
- variable-to-stream\_if conversion MG 14-15
- writing files MG 14-14
- XID cache MG 14-23
- /etc/passwd file MG 14-2
- NFS-OpenVMS server
  - configuring the IG 4-36
- NFS-to-OpenVMS
  - character sequence mapping MG 33-2
  - filename translation rules MG 33-5
- FTP commands
  - SET UG 3-69
    - UG 3-76, UG 3-77, UG 3-78, UG 3-79
- IPP
  - print command option
    - UG 5-18, MG 15-31
- NETCU
  - miscellaneous commands
    - SET NET 1-11
  - security commands
    - SET NET 1-10
  - status commands
    - SET NET 1-8
- NETCU commands
  - SET NAMED NET 2-118
- SFTP2 qualifiers
  - / UG 17-12
- TELNET
  - command reference
    - SET UG 12-21
- TELNET commands
  - SET
    - UG 12-39, UG 12-41, UG 12-42, UG 12-43,

- UG 12-44, UG 12-48, UG 12-49,  
UG 12-50, UG 12-52, UG 12-53,  
UG 12-54, UG 12-55, UG 12-57,  
UG 12-62
  - nopwd MG 25-13
  - NS records MG 3-31
  - NSLOOKUP utility MG 32-3
    - error messages MG 32-20
    - EXIT command MG 32-6
    - FINGER command MG 32-7
    - HELP command MG 32-8
    - interactive mode MG 32-4
    - LS command MG 32-10
    - LSERVER command MG 32-14
    - non-interactive mode MG 32-4
    - ROOT command MG 32-13
    - SERVER command MG 32-14
    - SET command MG 32-15
    - SPAWN command MG 32-19
    - VIEW command MG 32-20
  - NTA device
    - creating a permanent UG 12-9
    - handling a broken connection UG 12-10
  - ntohl subroutine, Socket Library PG 21-47
  - ntohs subroutine, Socket Library PG 21-48
  - NTP
    - access control commands MG 10-15
    - configuration file MG 10-35
    - files MG 10-34
    - WAYTOOBIG IG 4-46
  - NTPDATE utility MG 10-18
  - NTPQ utility MG 10-29
  - NTPSERVER.LOG MG 10-3
  - NTPTRACE utility MG 10-21
  - NTP.CONF MG 10-3
  - NTP.DRIFT MG 10-3
  - NTP.KEYS MG 10-3
  - NULL routine, calling PG 13-7
- 
- O**
- ONC RPC Run-Time Library (RTL) PG 16-1
    - conventions PG 15-1
  - ONC RPC Services
    - active cache PG 12-10
    - asynchronous server PG 13-5
    - asynchronous system traps (ASTs) PG 13-6
    - asynchronous transports PG 13-5
    - batch facilities PG 12-11
    - broadcast RPC PG 12-11
    - client PG 12-3
    - client stub PG 12-4
    - components PG 12-2
      - Port Mapper PG 12-3
    - RPCGEN compiler PG 12-3
    - Run-Time Libraries (RTLs) PG 12-2
    - definition PG 12-1
    - distributed applications PG 12-2
      - build structure PG 13-3
      - building PG 13-1
      - compile all files PG 13-3
      - design PG 13-2
      - execute client and server programs PG 13-5
      - link object code PG 13-4
      - start port mapper PG 13-4
      - write and compile definition PG 13-2
      - write code PG 13-3
    - error handling PG 12-5
    - External Data Representation (XDR) PG 12-4
    - for network programming PG 12-1
    - global variables
      - svc\_fdset PG 18-11
    - implementation PG 12-1
    - local calls vs. remote calls PG 12-5
    - management routines PG 15-1
    - marshalling PG 12-4
    - null routine, calling PG 13-7
    - Port Mapper PG 12-3
      - binding PG 12-3
      - registration PG 12-3
    - port mapper routines PG 17-1
    - processing flow PG 12-4
    - program listing, requesting PG 13-7
    - program version numbers PG 12-12
    - programming PG 1-10
    - programming fundamentals PG 12-1
    - remote procedure call (RPC) PG 1-10, PG 12-2
    - remote procedure numbers PG 12-13
    - remote programs/procedures, identifying PG 12-12
    - RFCs PG 12-2
    - routines
      - high-level PG 12-6
      - low-level PG 12-7
      - mid-level PG 12-6
    - RPC language PG 14-2
    - RPCGEN compiler PG 12-3, PG 14-1
      - error handling PG 14-6
      - input files PG 14-2
      - interface definitions PG 14-2
      - invoking PG 14-4
      - output files PG 14-3
      - preprocessor directives PG 14-4
      - restrictions PG 14-6
      - software requirements PG 14-1
    - RPCINFO utility PG 12-3, PG 13-6
      - sample PG 13-7
    - RTL Client routines PG 16-1
    - RTL client routines
      - auth\_destroy PG 16-3
      - authnone\_create PG 16-4

# TCPware Master Index

- authunix\_create PG 16-5
- authunix\_create\_default PG 16-6
- callrpc PG 16-7
- clnt\_broadcast PG 16-8
- clnt\_call PG 16-10
- clnt\_control PG 16-11
- clnt\_create PG 16-13
- clnt\_destroy PG 16-15
- clnt\_freeres PG 16-16
- clnt\_geterr PG 16-17
- clnt\_pcreateerror PG 16-18
- clnt\_perrno PG 16-19
- clnt\_perror PG 16-20
- clnt\_spcreateerror PG 16-18
- clnt\_sperno PG 16-19
- clnt\_sperror PG 16-20
- clntraw\_create PG 16-21
- clnttcp\_create PG 16-23
- clntudp\_bufcreate PG 16-25
- clntudp\_create PG 16-25
- common arguments PG 16-1
- reference PG 16-2
- RTL Management routines PG 15-1
- RTL management routines
  - boolean values PG 15-3
  - D\_float library PG 15-1
  - G\_float library PG 15-1
  - get\_myaddress PG 15-6
  - getrpcbynumber PG 15-7
  - getrpcport PG 15-8
  - header files PG 15-2
  - implementation differences
    - TCPware/Sun PG 15-4
  - ONCRPC\_GET\_CHAR PG 15-9
  - ONCRPC\_GET\_STATS PG 15-12
  - ONCRPC\_SET\_CHAR PG 15-15
  - reference PG 15-5
  - routine name conventions PG 15-2
  - T\_float library PG 15-2
- RTL Port Mapper routines PG 17-1
  - arguments PG 17-2
  - pmap\_freemaps PG 17-3
  - pmap\_getmaps PG 17-4
  - pmap\_getport PG 17-5
  - pmap\_rmtcall PG 17-6
  - pmap\_set PG 17-7
  - pmap\_unset PG 17-8
- RTL port mapper routines, reference PG 17-2
- RTL Server routines PG 18-1
  - svcerr\_systemerr PG 18-17
- RTL server routines
  - reference PG 18-3
  - registerrpc PG 18-4
  - svc\_destroy PG 18-5
  - svc\_freeargs PG 18-6
  - svc\_getargs PG 18-7
  - svc\_getcaller PG 18-8
  - svc\_getchan PG 18-9
  - svc\_getport PG 18-10
  - svc\_getreqset PG 18-11
  - svc\_register PG 18-13
  - svc\_run PG 18-14
  - svc\_sendreply PG 18-15
  - svc\_sendreply\_dq PG 18-15
  - svc\_unregister PG 18-16
  - svcerr\_auth PG 18-17
  - svcerr\_decode PG 18-17
  - svcerr\_noproc PG 18-17
  - svcerr\_noprog PG 18-17
  - svcerr\_progvers PG 18-17
  - svcerr\_weakauth PG 18-17
  - svcfcd\_create PG 18-19
  - svccraw\_create PG 18-20
  - svctcp\_create PG 18-21
  - svctcpa\_create PG 18-22
  - svctcpa\_enablecache PG 18-23
  - svctcpa\_freecache PG 18-25
  - svctcpa\_getxdrs PG 18-26
  - svctcpa\_shutdown PG 18-27
  - svcupd\_create PG 18-28
  - svcupd\_enablecache PG 18-29
  - svcupd\_bufcreate PG 18-30
  - svcupd\_create PG 18-30
  - svcupd\_enablecache PG 18-32
  - svcupd\_freecache PG 18-34
  - svcupd\_getxdrs PG 18-35
  - svcupd\_shutdown PG 18-36
  - xprt\_register PG 18-37
  - xprt\_unregister PG 18-38
- RTL XDR routines PG 19-1
  - reference PG 19-2
  - xdr\_accepted\_reply PG 19-5
  - xdr\_array PG 19-6
  - xdr\_authunix\_parms PG 19-7
  - xdr\_bool PG 19-8
  - xdr\_bytes PG 19-9
  - xdr\_callhdr PG 19-10
  - xdr\_callmsg PG 19-11
  - xdr\_char PG 19-12
  - xdr\_double PG 19-13
  - xdr\_enum PG 19-15
  - xdr\_float PG 19-16
  - xdr\_free PG 19-17
  - xdr\_hyper PG 19-18
  - xdr\_int PG 19-19
  - xdr\_long PG 19-20
  - xdr\_netobj PG 19-21
  - xdr\_opaque PG 19-22
  - xdr\_opaque\_auth PG 19-23
  - xdr\_pmap PG 19-24
  - xdr\_pmaplist PG 19-25
  - xdr\_pointer PG 19-26

- xdr\_reference PG 19-28
- xdr\_rejected\_reply PG 19-29
- xdr\_replymsg PG 19-30
- xdr\_short PG 19-31
- xdr\_string PG 19-32
- xdr\_u\_char PG 19-33
- xdr\_u\_hyper PG 19-34
- xdr\_u\_int PG 19-35
- xdr\_u\_long PG 19-36
- xdr\_u\_short PG 19-37
- xdr\_union PG 19-38
- xdr\_void PG 19-40
- xdr\_wrapstring PG 19-41
- xdrmem\_create PG 19-42
- xdrrec\_create PG 19-43
- xdrrec\_endofrecord PG 19-45
- xdrrec\_eof PG 19-46
- xdrrec\_skiprecord PG 19-47
- xdrstdio\_create PG 19-48
- sample programs PG 20-1
  - GETSYI PG 20-2, PG 20-4
  - PRINT PG 20-3, PG 20-5
  - running PG 20-1
  - SYSINFO PG 20-3, PG 20-5
- server PG 12-3
- system crashes PG 12-5
- transport protocols PG 12-7
- unmarshalling PG 12-4
- XDR language PG 14-2
- XID cache PG 12-9
- ONCRPC\_FUNC.H file PG 15-2
- ONCRPC\_GET\_CHAR routine, RPC RTL PG 15-9
- ONCRPC\_GET\_STATS routine, RPC RTL PG 15-12
- ONCRPC\_SET\_CHAR routine, RPC RTL PG 15-15
- OPCOM terminal name
  - CARDS MG 15-33
  - CENTRAL MG 15-33
  - CLUSTER MG 15-33
  - DEVICES MG 15-33
  - DISKS MG 15-33
  - LICENSE MG 15-33
  - NETWORK MG 15-33
  - NONE MG 15-33
  - OPER1 MG 15-33
  - OPER10 MG 15-33
  - OPER11 MG 15-33
  - OPER12 MG 15-33
  - OPER2 MG 15-33
  - OPER3 MG 15-33
  - OPER5 MG 15-33
  - OPER7 MG 15-33
  - OPER8 MG 15-33
  - OPER9 MG 15-33
  - PRINTER MG 15-33
  - SECURITY MG 15-33
  - TAPES MG 15-33
- OPCOM terminal names MG 15-33
- Open Shortest Path First (OSPF) routing MG 9-54
- OpenVMS
  - character sets UG 12-16
  - file ownership and protection MG 13-6
  - mail
    - addresses, specifying UG 10-1
    - host alias, specifying UG 10-3
    - individual aliases, specifying UG 10-3
    - to folders, delivering UG 10-4
    - under ALL-IN-1, using UG 10-4
    - user-defined headers UG 10-4
    - using across network UG 10-1
  - user identification MG 13-4
- Oracle software IG 3-9
- Oracle's SQL\*Net IG 2-8
- origin command, DNS MG 3-15
- OUTGOING NET 1-10

---

## P

- P3 Transmit Characteristics PG 5-27
- packet
  - filtering MG 19-3, MG 21-1
  - tracing options MG 9-57
- Packet filtering MG 21-1
- parameters
  - NFS\_ACCESS\_IDENTIFIER MG 14-16
  - NFS\_DFLT\_GID MG 14-20
  - NFS\_DFLT\_UID MG 14-20
  - NFS\_DIRLIFE\_TIMER MG 14-20
  - NFS\_DIRREAD\_LIMIT MG 14-20
  - NFS\_DIRTIME\_TIMER MG 14-20
  - NFS\_FILE\_CACHE\_SIZE MG 14-21
  - NFS\_LOG\_CLASS MG 14-17
  - NFS\_NOCHECKSUM MG 14-21
  - NFS\_OPENFILE\_TIMER MG 14-21
  - NFS\_PCNFSD\_SPOOL MG 14-19
  - NFS\_PCNFSD\_DFLTPRTOPT MG 14-21
  - NFS\_PCNFSD\_ENABLE MG 14-7, MG 14-19
  - NFS\_PCNFSD\_JOB\_LIMIT MG 14-22
  - NFS\_PCNFSD\_PRINTER MG 14-22
  - NFS\_PCNFSD\_PRINTER\_LIMIT MG 14-22
  - NFS\_PCNFSD\_SPOOL MG 14-7
  - NFS\_PORT MG 14-22
  - NFS\_SECURITY MG 14-17
  - NFS\_TCP\_THREADS MG 14-22
  - NFS\_UDP\_THREADS MG 14-22
  - NFS\_XID\_CACHE\_SIZE MG 14-23
- PASSCODE UG 14-2
- PASSIVE UG 3-78
- passphrase UG 16-32, UG 16-33
  - forgotten UG 16-27
  - lost UG 16-27

# TCPware Master Index

- password authentication MG 25-12
- Password Authentication Protocol (PAP) MG 5-6
- password-based authentication MG 25-2
- PATHWORKS MG 28-1, MG 32-1
  - managing support MG 28-1, MG 32-1
  - outgoing access restrictions and MG 20-5
- PC
  - installation MG 28-3
  - server name format MG 28-3
  - system files MG 28-3
  - third party products MG 28-2
- server MG 28-1
- troubleshooting MG 28-3
- VAX/Alpha
  - error logs MG 28-1
  - server software location MG 28-1
  - services MG 28-2
  - startup command MG 28-1
  - system processes MG 28-1
- Version 4 MG 28-1
- patterns
  - host name MG 25-10
  - hostname MG 25-19, MG 25-21
  - hostnames MG 25-22
  - port number MG 25-19, MG 25-21
  - rights identifier MG 25-9
  - user name MG 25-10
- PCNFS Client MG 14-31
- PCNFS Server (PCNFSD) MG 14-6
  - authentication MG 14-7
  - break-in security MG 14-31
  - print options MG 14-30
  - protocol procedures
    - ALERT OPERATOR MG 14-29
    - AUTHENTICATE MG 14-29
    - CANCEL PRINT MG 14-29
    - HOLD PRINT MG 14-29
    - INFORMATION MG 14-29
    - INITIALIZE PRINTER MG 14-29, MG 14-30
    - LIST PRINTERS MG 14-30
    - LIST QUEUE MG 14-30
    - NULL MG 14-29, MG 14-30
    - PRINTER STATUS MG 14-30
    - RELEASE PRINT MG 14-30
    - START PRINTER MG 14-29, MG 14-30
  - remote printing MG 14-7
- PCNFSD MG 14-29
- PCNFSD Protocol Procedures MG 14-29
- PCNFSD, authentication services MG 14-6
- PDP-11
  - operating systems UG 1-8
  - TCPware for
    - IAS UG 1-8
    - RSX UG 1-8
    - RT-11 UG 1-8
    - TSX UG 1-8
- permit list MG 4-11
- PIN UG 14-2
  - creating your own UG 14-6
- PING utility MG 32-22
  - example MG 32-22
  - PING\_V2
    - example MG 32-23
    - using MG 32-23
  - using MG 32-22
- pmap\_freemaps, RPC RTL PG 17-3
- pmap\_getmaps, RPC RTL PG 17-4
- pmap\_getport, RPC RTL PG 17-5
- PMAP\_PROT.H file PG 15-3
- pmap\_rmtcall, RPC RTL PG 17-6
- pmap\_set, RPC RTL PG 17-7
- pmap\_unset, RPC RTL PG 17-8
- pneterror subroutine, Socket Library PG 21-49
- Point-to-Point Protocol (PPP) MG 5-1
  - authentication MG 5-5
    - compatibility with other products MG 5-2
  - configuration MG 5-1
  - configuring MG 5-2
  - function MG 5-1
  - line speeds MG 5-2
  - PPP link, configuring MG 5-5
  - pppd, running MG 5-3
  - troubleshooting MG 5-19
  - unnumbered interface MG 5-2
- pool permit lists MG 4-11
- port forwarding
  - definition UG 16-21
- Port Mapper PG 1-10
  - binding PG 12-3
  - broadcast RPC PG 12-3
  - registration PG 12-3
  - requesting a listing PG 13-7
- port number MG 29-3
- Post Office Protocol Version 3
  - configuring the IG 4-46
- Post Office Protocol (POP) MG 17-32
- PPP links MG 5-5
- PPPD
  - command MG 5-3, MG 5-12
  - command file parameters
    - CONNECT MG 5-4
    - DISCONNECT MG 5-4
    - IPDOWN MG 5-4
    - IPUP MG 5-4
  - link authentication options
    - AUTH MG 5-6
    - PAP MG 5-6
    - +PAP MG 5-6
  - link customization options
    - PASSIVE MG 5-5
    - PERSIST MG 5-5
    - SILENT MG 5-5

- options
  - command file parameters MG 5-4
- PRINCIPAL.OK file MG 23-6
- PRINT UG 5-14
  - qualifiers UG 5-4
- PRINT client PG 20-3
- PRINT command MG 15-20
  - OpenVMS MG 15-10
  - queues based on PRINTCAP file MG 15-4
- print queues UG 5-21, MG 15-36
- print symbiont
  - Terminal Server Print Services MG 15-13
- PRINTCAP (printer capability) MG 15-4
- PRINT.X PG 14-2
- private addresses
  - using IG 1-3
- private network addresses IG 1-3
- Product Authorization Key (PAK)
  - registering your IG 5-13
- Programming
  - introduction PG 1-1
    - TCP/IP programming concepts PG 1-1
    - writing application programs PG 1-18
- programming
  - services
    - options PG 1-6
- Protocols
  - XDR PG 1-10
- protocols
  - FINGER MG 32-2
  - FINGERD MG 32-2
  - IDENT MG 32-3
  - IP MG 8-2
  - load request MG 3-44
  - TIME MG 32-44
  - X.25 MG 8-2
- protoent structure, Socket Library PG 21-9
- PROXY database MG 14-2
  - Client-NFS MG 13-3, MG 13-4
- reloading
  - dynamic MG 14-4
  - static MG 14-3
- Server-NFS MG 14-2
  - superuser account MG 14-3
- PROXYARP option MG 5-10
- pseudo devices NET 2-106
- pseudoterminal MG 25-17, MG 26-24
- public-key cryptography UG 16-4
- PUT UG 3-13
- pwdlifetime UG 19-27, MG 25-28, MG 35-24
- PWIPDRIVER
  - configuring the IG 4-48

---

## Q

- QIO programming PG 1-8
- query programs MG 10-1
- queue configurations MG 15-34
- quote character MG 12-13
- QUOTED service MG 32-24
  - message MG 32-24
  - port MG 32-24
- QUOTE command MG 32-24
  - syntax MG 32-24
  - testing MG 32-24

---

## R

- R services
  - configuring the IG 4-48
- R Shell (RSH) server MG 16-1
- random number generator MG 25-26, MG 26-25
- RCD client UG 6-1
- RCD/RMT command
  - RMTSETUP UG 6-3
- RCMD.LOG file MG 16-4
- RCP
  - security MG 19-13
  - service MG 19-13
- RCP command
  - RCP UG 7-3
- recvfrom subroutine, Socket Library PG 21-50
- regenerate server key MG 25-12
- registerrpc, RPC RTL PG 18-4
- RekeyIntervalSeconds UG 16-12
- RELEASE command
  - DHCP NET 2-79
- RELOAD command
  - GROUP NET 2-72
  - NAMED NET 2-73
  - PROXY NET 2-75
- RELOAD EXPORT command, NETCU MG 14-5
- remote
  - filesystem access UG 2-1
  - hosts, logging in to UG 2-5
  - system commands
    - CD UG 3-23
    - DELETE UG 3-23
    - DIR UG 3-23
    - ls UG 3-23
    - LIST UG 3-23
    - MKDIR UG 3-23
    - PWD UG 3-23
    - QUOTE UG 3-23
    - REMOTEHELP UG 3-23
    - RENAME UG 3-23
    - SITE UG 3-23

# TCPware Master Index

- USER UG 3-23
- Remote Copy Program (RCP) MG 16-1, MG 16-5
  - password security MG 16-5
  - security MG 19-13
    - /PASSWORD qualifier MG 16-5
  - server
    - management MG 16-5
    - troubleshooting MG 16-5
- remote host information MG 7-16
- remote login program
  - host-based authentication UG 16-3
  - password authentication UG 16-5
  - public-key authentication UG 16-4
- Remote Magnetic Tape (RMT) MG 16-6
  - client, examples MG 16-8
  - dump service MG 16-7
  - dumping and restoring files MG 16-6
  - rdump service MG 16-7
  - restore service MG 16-7
  - rrestore service MG 16-7
  - server MG 16-1
- Remote Procedure Call (RPC) PG 12-2
- RemoteForward UG 16-12
- REMOVE ACE\_USER command, NETCU MG 22-7
- REMOVE command
  - ACCESS\_LIST NET 2-77
  - ACE\_USER NET 2-76
  - ARP NET 2-78
  - DHCP NET 2-79
  - EXPORT NET 2-80
  - GROUP NET 2-11, NET 2-81
  - KACL NET 2-82
  - KDB NET 2-84
  - MULTICAST\_GROUP NET 2-86
  - PROXY NET 2-87
  - ROUTE NET 2-89
  - SECONDARY NET 2-90
  - SERVICE NET 2-91
  - TICKETS NET 2-92
- Requests for Comments (RFCs) UG 18-1
- resolver subroutines, Socket Library PG 21-52
- resource record types MG 3-18
- responsible person (NS) record, DNS MG 3-33
- RETRIEVE command qualifier MG 12-34
- Reverse Address Resolution Protocol (RARP)
  - displaying packets using TCPDUMP MG 32-28
- RFC
  - 1001 MG 4-48
  - 1001/1002 MG 4-47
  - 1002 MG 4-48
  - 1035 MG 4-45, MG 4-46, MG 4-48
  - 1042 MG 4-46
  - 1073 MG 18-7
  - 1079 MG 18-6
  - 1091 MG 18-1
  - 1122 MG 4-44, MG 4-49
  - 1179 MG 4-47
  - 1191 MG 4-48
  - 1256 MG 4-49
  - 1372 MG 18-6
  - 2131 MG 4-3
  - 2132 MG 4-3
  - 2565 MG 15-21
  - 2566 MG 15-21
  - 2567 MG 15-21
  - 2568 MG 15-21
  - 2569 MG 15-21
  - 2639 MG 15-21
  - 2741 MG 7-15
  - 2742 MG 7-15
  - 2788 MG 12-7
  - 2789 MG 17-13
  - 854 MG 18-1
  - 858 MG 18-1
  - 865 MG 4-44
  - 868 MG 4-51
  - 885 MG 18-1
  - 887 MG 4-49
  - 893 MG 4-51
  - 894 MG 4-46
  - 950 MG 4-50
- RFC 791 PG 5-9
- RFCs, implemented by TCPware for OpenVMS UG 18-2
- rhosts authentication MG 25-2, MG 25-24, MG 26-24
- rights identifier patterns MG 25-9
- RLOGIN UG 8-3, MG 25-3, MG 26-3
  - commands UG 8-3
  - configuring IG 4-49
- RMT
  - configuring IG 4-49
- RMT client UG 6-1
- ROOT command, NSLOOKUP MG 32-13
- ROUTE command, X.25 mapping database MG 8-7, MG 8-9
- Route Through (RT) record, DNS MG 3-34
- router
  - advertisements MG 9-34
  - discovery
    - protocol MG 9-34
    - server MG 9-34
  - ID MG 9-19
- Routing MG 9-1
- routing
  - configuration options
    - DEFAULTROUTE MG 5-9
    - IP MG 5-9
    - NETMASK MG 5-9
    - PROXYARP MG 5-9
  - datagram
    - fragmentation MG 9-4
    - over known route MG 9-4

- default gateway, defining MG 9-3
- dynamic MG 9-5
- examples MG 9-2, MG 9-3
- forwarding MG 9-4
- gateway
  - capability in ARP mode MG 9-4
  - default address MG 9-1
  - multiple gateway support MG 9-1
- guidelines MG 9-2
- link failure MG 9-1
  - redirect messages MG 9-1
- link recovery, route selection MG 9-2
- local network MG 9-2
- multicast MG 9-4
- route selection MG 9-2
- router failure MG 9-1
- router recovery MG 9-2
- static MG 9-2
- Routing Information Protocol (RIP) MG 9-23
- ROUTING.COM file MG 8-3, MG 24-12
  - cluster alias failover MG 6-2
  - conflict with GATED.CONF file MG 9-2
- RPC
  - batch programs PG 20-5
  - protocol compiler, RPCGEN PG 14-1
- RPC-based services MG 32-31
- RPCGEN
  - file naming conventions PG 14-3
  - output files PG 14-3
- RPCINFO utility PG 13-6
- RSA authentication UG 16-32
- RSA authentication identity UG 16-33
- RSA challenge-response authentication MG 25-2
- RSA host authentication MG 25-2, MG 25-14
- RSA key
  - bits MG 25-18
  - comment MG 25-18
  - exponent MG 25-18
  - modulus MG 25-18
  - options MG 25-18
- RSA key file
  - Allowforwardingport MG 25-19
  - Allowforwardingto MG 25-19
  - command MG 25-20
  - Denyforwardingport MG 25-20
  - Denyforwardingto MG 25-21
  - from MG 25-21
  - idle-timeout MG 25-22
  - no-agent-forwarding MG 25-22
  - no-port-forwarding MG 25-22
  - no-X11-forwarding MG 25-22
- RSA key file examples MG 25-22
- RSA keys MG 25-18
- RSA-based authentication UG 16-4
- RSA-based host authentication UG 16-4
- RSH

- configuring IG 4-49
- RSH command
  - RSH UG 9-2
- RSHELL MG 25-3, MG 26-3
- RT records MG 3-34
- RULE specification
  - format of IG 3-16

---

## S

- SCP
  - qualifiers UG 17-3, UG 17-11
- SCP switch
  - BATCH UG 17-3
  - CIPHER UG 17-3
  - COMPRESS UG 17-3
  - DEBUG UG 17-3
  - DIRECTORY UG 17-3
  - HELP UG 17-3
  - IDENTITY\_FILE UG 17-3
  - NOPROGRESS UG 17-3
  - PORT UG 17-3
  - PRESERVE UG 17-3
  - QUIET UG 17-3
  - RECURSIVE UG 17-3
  - REMOVE UG 17-4
  - TRANSLATE\_VMS UG 17-4
  - VERBOSE UG 17-4
  - VERSION UG 17-4
  - VMS UG 17-4
- SCP2 UG 16-31
  - command syntax and qualifiers UG 17-2
- SCP2 qualifier
  - /BATCH UG 17-4
  - /CIPHER UG 17-5
  - /COMPRESS UG 17-5
  - /DEBUG UG 17-5
  - /DIRECTORY UG 17-5
  - /HELP UG 17-5
  - /IDENTITY\_FILE UG 17-5
  - /NOPROGRESS UG 17-6
  - /PORT UG 17-5
  - /PRESERVE UG 17-5
  - /QUIET UG 17-6
  - /RECURSIVE UG 17-6
  - /REMOVE UG 17-6
  - /TRANSLATE\_VMS UG 17-6
  - /VERBOSE UG 17-6
  - /VERSION UG 17-7
  - /VMS UG 17-7
- SCP-SERVER1 UG 17-2
- sd\_auth function, ACE/Client API PG 11-6
- sd\_check function, ACE/Client API PG 11-7
- sd\_close function, ACE/Client API PG 11-11



# TCPware Master Index

- sd\_init function, ACE/Client API function PG 11-5
- sd\_next function, ACE/Client API PG 11-9
- sd\_pin function, ACE/Client API PG 11-10
- sdamin program, ACE/Server MG 22-3
- SDCONF.REC file MG 22-6
- secure encrypted communications MG 25-1, MG 26-2
- Secure Server
  - security MG 19-13
- secure shell
  - configuration files UG 16-23
- secure shell client UG 16-3
- Secure Shell (SSH)
  - daemon (SSHD) MG 25-1, MG 26-2
  - restrictions MG 25-1, MG 26-1
  - security MG 25-2
  - server UG 2-15, MG 25-1, MG 26-1
    - understanding MG 25-1, MG 26-2
  - SSHD MG 25-2, MG 26-2
- SecurID token
  - logging in with UG 14-4
  - type, identifying the UG 14-2
  - user responsibilities UG 14-4
- Security MG 19-1
- security
  - Client-NFS
    - file protection MG 13-2
    - privileges MG 13-9
    - protection mapping MG 13-9
    - security auditing and alarms MG 13-16
    - superuser MG 13-23
    - UID MG 13-3
    - user protection MG 13-2
  - features MG 19-1
  - FTP-OpenVMS
    - ANONYMOUS support MG 12-13
    - directory access restrictions MG 12-6
    - idle control connection timeout MG 12-7
    - log file MG 12-7
    - login procedures MG 12-4
    - password MG 12-30
  - RMT service MG 16-6
  - Server-NFS MG 14-1
    - access control lists MG 14-16
    - GID
      - default MG 14-20
    - superuser MG 14-2, MG 14-3
    - UIC MG 14-2
    - UID MG 14-2
      - default MG 14-20
  - Server-TELNET
    - ECHO option MG 18-5
    - SUPPRESS-GO-AHEAD option MG 18-6
  - TCPware product MG 19-9
  - tips MG 19-1
    - contacting CERT MG 19-2
- Security Dynamics ACE/Server MG 22-1
- See also individual commands
  - ARP commands NET 1-2
  - dynamic host configuration commands NET 1-2
  - miscellaneous commands NET 1-11
  - multicasting commands NET 1-3
  - NFS commands NET 1-3
  - parameter setting commands NET 1-5
  - routing commands NET 1-5
  - security commands NET 1-9
  - service commands NET 1-6
  - starting and stopping commands NET 1-7
  - status commands NET 1-8
    - Token Authentication commands NET 1-7
- select subroutine, Socket Library PG 21-55
- select\_wake subroutine, Socket Library PG 21-56
- SendNOOPPackets UG 16-12
- sendto subroutine, Socket Library PG 21-57
- Serial Line IP (SLIP)
  - compressed (CSLIP) MG 5-26
  - configuration MG 5-20
    - sample MG 5-22, MG 9-4
  - configuring MG 5-21
  - flowcontrol MG 5-25
  - function MG 5-19
  - high speed modems MG 5-25
  - interface MG 5-19
  - line
    - dedicated MG 5-21
    - dialup MG 5-21
      - incoming MG 5-8, MG 5-24
      - outgoing MG 5-24
    - disconnecting MG 5-25
  - line speeds MG 5-20
  - numbered interfaces, traditional MG 5-9
  - protocol MG 5-20
  - qualifiers MG 5-26
  - routing commands MG 5-22
  - troubleshooting MG 5-27
  - unnumbered interface MG 5-10, MG 5-20, MG 5-21, MG 5-23
- Serial Line IP (SLIP) devices IG 3-10
- servent structure PG 1-16
- servent structure, Socket Library PG 21-9
- server
  - writing PG 1-22
- SERVER command, NSLOOKUP MG 32-14
- server EXPORT database
  - adding directories to the IG 4-38
- server PROXY database
  - adding users to the IG 4-37
- Server-FTP MG 12-21
- SERVERS.COM. MG 20-2
- services options
  - programming
    - DEC C socket routines PG 1-7
    - FTP library routines PG 1-10

- ONC RPC services PG 1-10
- system Queue Input/Output (QIO) calls PG 1-8
  - BGDRIVER PG 1-8
  - IPDRIVER PG 1-9
  - TCPDRIVER PG 1-9
  - UDPDRIVER PG 1-9
- TCPware socket library PG 1-8
- TELNET library routines PG 1-10
- UCX compatibility services PG 1-7
- VAX C socket routines PG 1-7
- session accounting MG 12-8
- SET
  - DEBUG
    - class keyword
      - ALL UG 12-46
      - NETINPUT UG 12-46
      - NETOUTPUT UG 12-46
      - NONE UG 12-46
      - OPTIONS UG 12-46
      - TTYINPUT UG 12-46
  - TRANSLATION
    - keyword
      - CR UG 12-61
      - LF UG 12-61
      - NONE UG 12-61
- set class values MG 32-15
- SET command NET 2-93
  - BG\_ NET 2-96
  - DHCP NET 2-97
  - DOMAINNAME NET 2-98
  - FILTER NET 2-99
  - GATED TRACE NET 2-101
  - GATEWAY NET 2-103
  - INET NET 2-104
  - INTERFACE NET 2-105
  - IPSO NET 2-108, NET 2-109
  - KERBEROS\_PASSWORD NET 2-113
  - LOCASE-USERNAME NET 3-30
  - LOG NET 2-114
  - MASTER\_PASSWORD NET 2-116
  - NAMED DEBUG NET 2-118
  - NAMED MAXIMUM\_TTL NET 2-119
  - NAMED MINIMUM\_TTL NET 2-120
  - NOARP NET 2-78
  - NOFILTER NET 2-99
  - NOLOG NET 2-114
  - NOROUTE NET 2-89
  - OUTGOING\_ACCESS\_RESTRICTIONS NET 2-121
  - RFC822-TO-HEADER NET 3-37
  - TIMEZONE NET 2-123
- SET command, NSLOOKUP MG 32-15
- SET TCPRTOMAX command
  - NETCU, IP-over-X.25 MG 8-3
- SET TCPRTOMIN command
  - NETCU, IP-over-X.25 MG 8-3
- setdomainname/sethostname subroutines, Socket Library PG 21-59
- setsockopt subroutine, Socket Library PG 21-60
- SFTP2 command
  - ASCII UG 17-13
  - AUTO UG 17-13
- SFTP2 commands
  - BINARY UG 17-13
  - BUFFERSIZE UG 17-13
  - CD UG 17-14
  - CLOSE UG 17-14
  - DEBUG UG 17-14
  - DELETE UG 17-14
  - DIRECTORY UG 17-14
  - EXIT UG 17-14
  - GET UG 17-15
  - GETEXT UG 17-15
  - HELP UG 17-15
  - LCD UG 17-15
  - LDELETE UG 17-15
  - LDIRECTORY UG 17-15
  - LLS UG 17-16
  - LMKDIR UG 17-16
  - LOCALOPEN UG 17-16
  - LPWD UG 17-16
  - LREADLINK UG 17-16
  - LRENAME UG 17-16
  - LRM UG 17-16
  - LRMDIR UG 17-16
  - LS UG 17-17
  - LSROOTS UG 17-17
  - LSYMLINK UG 17-17
  - MGET UG 17-18
  - MKDIR UG 17-18
  - MPUT UG 17-18
  - OPEN UG 17-18
  - PUT UG 17-18
  - PWD UG 17-19
  - QUIT UG 17-19
  - READLINK UG 17-19
  - RENAME UG 17-19
  - RM UG 17-19
  - RMDIR UG 17-19
  - SETEXT UG 17-19
  - STATUS UG 17-19
  - SYMLINK UG 17-19
  - VERBOSE UG 17-20
  - VMS UG 17-20
- SFTP2 qualifiers
  - VERBOSE UG 17-12
  - /BATCHFILE UG 17-11
  - /BUFFER\_SIZE UG 17-11
  - /CIPHER UG 17-11
  - /COMPRESS UG 17-11
  - /CONCURRENT\_REQUEST UG 17-11
  - /DEBUG UG 17-11

# TCPware Master Index

/HELP UG 17-11  
/MAC UG 17-11  
/NOPROGRESS UG 17-11  
/VERSION UG 17-12  
sftp2 qualifiers  
  /PORT UG 17-12  
shared-network declaration MG 4-8  
SHOW ACE\_USER command, NETCU MG 22-7  
SHOW command NET 1-14, NET 2-124, NET 3-41  
  ACCESS\_LISTS NET 2-128  
  ACE\_USER NET 2-127  
  ARP NET 2-129  
    flag fields  
      CONF NET 2-129  
      LASU NET 2-129  
      LOCK NET 2-129  
      PEND NET 2-129  
      PERM NET 2-129  
      PUBL NET 2-129  
  CONNECTIONS NET 1-14, NET 2-131  
  COUNTERS NET 2-133  
  DHCP NET 2-135  
  DNIP NET 2-139  
  EXPORT NET 2-140  
  FILTER NET 2-142  
  GATED TRACE NET 2-144  
  GROUP NET 2-145  
  HOST NET 2-146  
  INTERFACE NET 2-147  
  IPSO NET 2-149, NET 2-151  
  KACL NET 2-153  
  KDB NET 2-154  
  KERBEROS USER NET 2-156  
  MOUNT NET 2-157  
  MULTICAST\_GROUPS NET 2-158  
  NAMED VERSION NET 2-183  
  NETWORKS NET 2-159  
  OSPF NET 2-160  
  OUTGOING\_ACCESS\_RESTRICTIONS NET 2-168  
  PROXY NET 2-169  
  RIP NET 2-170  
  ROUTES NET 2-172  
  SERVICES NET 2-174  
  SNMP NET 2-177  
  STATISTICS NET 2-178  
  TICKETS NET 2-181  
  TIMEZONE NET 2-182  
  VERSION NET 2-184  
shutdown process IG 5-4, IG 5-7  
shutdown subroutine, Socket Library PG 21-62  
SHUTNET.COM file MG 3-3, NET 1-7  
SITE  
  SHOW TIME UG 3-18  
  SPAWN UG 3-18  
site-specific commands UG 3-18  
  issuing UG 3-18  
SLIP, line identification MG 5-20  
SMTP  
  configuration file, modifying MG 17-2  
  DECnet mail gateway, configuring MG 17-40  
  host aliases MG 17-25  
  local mail, forwarding MG 17-24  
  logicals  
    A1\_NAME UG 19-23, MG 17-3, MG 35-20  
    ACCEPT\_UNIX\_LF UG 19-23, MG 17-3, MG 35-21  
    ALLOW\_USER\_FROM UG 19-23, MG 17-3, MG 35-21  
    ALLOW\_VIRTUAL\_DOMAIN UG 19-23, MG 17-3, MG 35-21  
    AM\_DOMAIN UG 19-23, MG 17-3, MG 35-21  
    AM\_NAME UG 19-23, MG 17-3, MG 35-21  
    APPEND\_FORWARDER\_TO\_MX MG 35-21  
    APPEND\_FORWARDER\_TO\_MX UG 19-23, MG 17-3  
    BATCH\_QUEUE UG 19-23, MG 17-3, MG 35-21  
    DECNET\_DOMAIN UG 19-24, MG 17-4, MG 35-21  
    DELIVERY\_RECEIPTS UG 19-24, MG 17-4, MG 35-21  
    DISABLE\_DELIVERY\_RECEIPT\_DISCLAIMER UG 19-24, MG 17-4, MG 35-21  
    DISABLE\_FOLDER\_DELIVERY UG 19-24, MG 17-4, MG 35-21  
    DISABLE\_PSIMAIL UG 19-24, MG 17-4, MG 35-22  
    ENVELOPE\_FROM\_HOST UG 19-24, MG 17-4, MG 35-22  
    FORWARDER UG 19-24, MG 17-4, MG 35-22  
    FROM\_HOST UG 19-24, MG 17-4, MG 35-22  
    HEADER\_ORG UG 19-24, MG 17-4, MG 35-22  
    HEADER\_RETURN\_RECEIPT\_TO UG 19-24, MG 17-4, MG 35-22  
    HEADER\_SYS UG 19-24, MG 17-5, MG 35-22  
    HOST\_ALIAS\_FILE UG 19-24, MG 17-5, MG 35-22  
    HOST\_NAME UG 19-25, MG 17-5, MG 35-22  
    LOCALDOMAIN UG 19-23, MG 17-3, MG 35-12  
    MAXIMUM\_822\_TO\_LENGTH UG 19-25, MG 17-5, MG 35-22  
    MRGATE\_NAME UG 19-25, MG 17-5, MG 35-22  
    NAMESERVERS UG 19-23, MG 17-3  
    NO\_USER\_REPLY\_TO UG 19-25, MG 17-5,

MG 35-23  
 NON\_LOCAL\_FORWARDER UG 19-25, MG 17-5, MG 35-23  
 POSTMASTER UG 19-25, MG 17-5, MG 35-23  
 REJECT\_INVALID\_DOMAINS UG 19-25, MG 17-6, MG 35-23  
 REPLY\_TO UG 19-25, MG 17-6, MG 35-23  
 RESENT\_HEADERS UG 19-25, MG 17-6, MG 35-23  
 RETRY\_INTERVAL UG 19-25, MG 17-6, MG 35-23  
 RETURN\_INTERVAL UG 19-25, MG 17-6, MG 35-23  
 RETURN\_MSG UG 19-26, MG 17-6, MG 35-23  
 RETURN\_RECEIPT\_TO\_HEADER\_ENABLE UG 19-26, MG 17-6  
 SEND\_CLASS UG 19-26, MG 17-6, MG 35-23  
 SERVER\_DISABLE\_VRFYEXPN UG 19-26, MG 17-6, MG 35-23  
 SERVER\_LOG UG 19-26, MG 17-6, MG 35-23  
 SERVER\_RCPT\_CHECK\_HOST UG 19-26, MG 17-6, MG 35-24  
 SERVER\_REJECT\_FILE UG 19-26, MG 17-6, MG 35-24  
 SERVER\_REJECT\_INFO UG 19-26, MG 17-6, MG 35-24  
 SMTP\_LOG UG 19-25, MG 17-5, MG 35-22  
 SUPPRESS\_VENDOR UG 19-26, MG 17-7, MG 35-24  
 SYMBIONT\_LOG UG 19-26, MG 17-7, MG 35-24  
 SYMBIONT\_PURGWS\_TIMER UG 19-26, MG 17-7, MG 35-24  
 VMSMAIL\_HEADER\_CONTROL UG 19-27, MG 17-7, MG 35-28  
 VMSMAIL\_LOCASE\_USERNAME UG 19-27, MG 17-7, MG 35-28  
 VMSMAIL\_NO\_EXQUOTA UG 19-28, MG 17-7, MG 35-28  
 VMSMAIL\_REPLY\_CONTROL UG 19-28, MG 17-7, MG 35-28  
 VMSMAIL\_USE\_RFC822\_TO\_HEADER UG 19-28, MG 17-7, MG 35-28  
 WINDOW\_SIZE UG 19-26, MG 17-7, MG 35-24

mail

aliases, configuring MG 17-26  
 gateways, configuring MG 17-25  
 messages, rejecting MG 17-8  
 parameters  
     ALIAS-FILE MG 17-17  
     DECNET-DOMAIN MG 17-17

DELIVERY-RECEIPTS MG 17-18  
 DISABLE-PSMAIL MG 17-18  
 DISALLOW-USER-REPLY-TO MG 17-18  
 FORWARDER MG 17-18  
 FORWARD-LOCAL-MAIL MG 17-18  
 FORWARD-REMOTE-MAIL MG 17-18  
 HEADER-CONTROL MG 17-18  
 HOST-ALIAS-FILE MG 17-18  
 LOCAL-MAIL-FORWARDER MG 17-18  
 POSTMASTER MG 17-18  
 QUEUE-COUNT MG 17-18  
 REPLY-CONTROL MG 17-18  
 RESENT-HEADERS MG 17-19  
 RETRY-INTERVAL MG 17-19  
 RETURN-INTERVAL MG 17-19  
 SEND-BROADCAST-CLASS MG 17-19  
 SMTP-HOST-NAMES MG 17-19  
 START-QUEUE-MANAGER MG 17-19  
 queues MG 17-19  
     configuring MG 17-21  
     multiple queues, configuring MG 17-21  
     network service monitoring MG 17-13  
     queue groups, configuring MG 17-22  
     server, inbound mail MG 17-19  
     service for ALL-IN-1 users MG 17-34  
     session accounting MG 17-14  
         accounting file record format MG 17-15  
         configuration file MG 17-14  
         configuring MG 17-14  
         configuring the Accounting listener MG 17-15  
         enabling MG 17-15  
         file format MG 17-15  
     specific folders, delivering mail to MG 17-7  
     symbiont MG 17-19  
 SMTP\_SERVER\_REJECT MG 17-8  
 SMTP-OpenVMS  
     configuring IG 4-51  
 SMTP-to-DECnet mail MG 17-40  
 SMTP/MR  
     configuration MG 17-39  
     document conversion MG 17-38  
 SMUX  
     peers, adding MG 7-14  
 SNMP  
     agent extensibility MG 7-15  
     logical  
         DEBUG UG 19-27, MG 35-24  
     services  
         access profile MG 7-3  
         community MG 7-3  
             parameters MG 7-12  
         configuration file MG 7-10  
         configuring MG 7-9  
         extendible MIBs, supporting MG 7-15  
         links MG 7-1

# TCPware Master Index

- log file MG 7-15
- Management Information Base (MIB) MG 7-2
  - access rules MG 7-3
  - groups MG 7-3
- management objects MG 7-2
  - defining values MG 7-10
  - supported MG 7-2
- management objects, client-controllable MG 7-3
- traps MG 7-1
  - client controllable MG 7-2
  - client-controllable MG 7-13
  - enabling/disabling MG 7-13
  - generating MG 7-13
  - unsupported MG 7-2
  - troubleshooting MG 7-15
- SNMP agent
  - configuring an IG 4-53
- SNMP Extensible Agent API Routines
  - data structures PG 10-3
  - programming PG 10-1
- SNMP extensible agent API routines
  - debugging code PG 10-3
  - initializing SNMP subagent PG 10-4
  - installing the extension agent image PG 10-3
  - linking the extension agent image PG 10-2
  - prerequisites PG 10-2
  - querying SNMP subagent PG 10-8
  - reference PG 10-3
  - registering multiple subtrees PG 10-6
  - sample code PG 10-3
  - sending trap from subagent PG 10-10
  - SnmpExtensionInit PG 10-4
  - SnmpExtensionInitEx PG 10-6
  - SnmpExtensionQuery PG 10-8
  - SnmpExtensionTrap PG 10-10
- SNMP Multiplexing (SMUX) protocol MG 7-14
- SNMP Services MG 7-1
  - managing MG 7-1
- SNMP services
  - configuring IG 4-52
- SNMP\_COMMON.H file PG 10-1
- SNMPD.CONF file MG 7-2, MG 7-10
- SnmpExtensionInit
  - SNMP Extensible Agent API Subroutines PG 10-4
- SnmpExtensionInitEx
  - SNMP Extensible Agent API Subroutines PG 10-6
- SnmpExtensionQuery
  - SNMP Extensible Agent API Subroutines PG 10-8
- SnmpExtensionTrap
  - SNMP Extensible Agent API Subroutines PG 10-10
- SOA record MG 3-35
- sockaddr\_in structure PG 1-15
- sockaddr\_in structure, Socket Library PG 21-10
- socket
  - call
    - accept PG 1-13
    - bind PG 1-13
    - close PG 1-13
    - connect PG 1-13
    - getpeername PG 1-13
    - getsockname PG 1-13
    - getsockopt PG 1-13
    - listen PG 1-13
    - read PG 1-14
    - recv PG 1-14
    - recvfrom PG 1-14
    - select PG 1-14
    - send PG 1-14
    - sendto PG 1-14
    - setsockopt PG 1-13
    - socket PG 1-14
    - write PG 1-14
  - calls in network programming, using PG 1-11
  - concepts PG 1-4
  - data structures PG 1-14
    - hostent PG 1-15
    - servent PG 1-16
    - sockaddr\_in PG 1-15
  - library PG 8-1
  - library services, sample programs PG 8-3
  - programming PG 1-11
  - subroutine, Socket Library PG 21-63
  - system calls PG 1-11
- Socket Library Services
  - hostent structure PG 21-8
  - include (header) files PG 21-2
  - netent structure PG 21-9
  - programming PG 1-8, PG 8-1, PG 21-1
  - protoent structure PG 21-9
  - sample programs PG 21-6
  - sample server programs PG 21-77
  - servent structure PG 21-9
  - server operation PG 21-8
  - sockaddr\_in structure PG 21-10
  - socket option values
    - SOL\_SOCKET PG 21-60
  - subroutine categories PG 21-7
    - byte order conversion operations PG 21-8
    - byte string operations PG 21-8
    - ia address conversion subroutines PG 21-8
    - lookup operations PG 21-7
    - socket operations PG 21-7
  - subroutine reference PG 21-11
    - accept PG 21-12
    - bcmp PG 21-14
    - bcopy PG 21-15
    - bind PG 21-16
    - bzero PG 21-18
    - connect PG 21-19
    - getdomainname/gethostname PG 21-21
    - gethostbyaddr PG 21-22
    - gethostbyname PG 21-23

- gethostid PG 21-25
- getnetbyaddr PG 21-26
- getnetbyname PG 21-27
- getpeername PG 21-28
- getprotobyname PG 21-29
- getprotobynumber PG 21-30
- getservbyname PG 21-31
- getservbyport PG 21-32
- getsockname PG 21-33
- getsockopt PG 21-34
- HNS\_LOOKUPHOST PG 21-35
- HNS\_LOOKUPIA PG 21-36
- htonl PG 21-37
- htons PG 21-38
- inet\_ PG 21-39
- ipso\_getauthbyname PG 21-41
- ipso\_getauthbynumber PG 21-43
- ipso\_getlevelbyname PG 21-44
- ipso\_getlevelbynumber PG 21-45
- listen PG 21-46
- ntohl PG 21-47
- ntohs PG 21-48
- pnerror PG 21-49
- recvfrom PG 21-50
- resolver PG 21-52
- select PG 21-55
- select\_wake PG 21-56
- sendto PG 21-57
- setdomainname/sethostname PG 21-59
- setsockopt PG 21-60
- shutdown PG 21-62
- socket PG 21-63
- socket\_close PG 21-65
- socket\_ioctl PG 21-66
- socket\_read/socket\_recv PG 21-68
- socket\_send/socket\_write PG 21-70
- tcpware\_atolineid PG 21-72
- tcpware\_gettimezone PG 21-73
- tcpware\_lineidtoa PG 21-74
- tcpware\_server PG 21-75
- tcpware\_settimezone PG 21-76
- subroutines list PG 21-3
- socket\_close subroutine, Socket Library PG 21-65
- socket\_ioctl subroutine, Socket Library PG 21-66
- socket\_read/socket\_recv subroutines, Socket Library PG 21-68
- socket\_send/socket\_write subroutines, Socket Library PG 21-70
- SOCKETVAR.H file PG 21-63
- SOCKET.H file PG 6-21
- SOCKLIB.OLB file PG 21-6
- SOL\_SOCKET option
  - SO\_BROADCAST PG 6-42
  - SO\_DEBUG PG 6-42
  - SO\_DONTROUTE PG 6-42
  - SO\_ERROR PG 6-43
  - SO\_KEEPALIVE PG 6-43
  - SO\_LINGER PG 6-43
  - SO\_OOBINLINE PG 6-43
  - SO\_RCVBUF PG 6-43
  - SO\_RCVLOWAT PG 6-43
  - SO\_RCVTIMEO PG 6-43
  - SO\_REUSEADDR PG 6-43
  - SO\_SNDBUF PG 6-43
  - SO\_SNDLOWAT PG 6-43
  - SO\_SNDTIMEO PG 6-43
  - SO\_TYPE PG 6-43
  - SO\_USELOOPBACK PG 6-43
- SPAWN command NET 2-185
- SPAWN command, NSLOOKUP MG 32-19
- special characters NET 2-3
- spoofing
  - DNS UG 16-4
  - IP UG 16-4
  - routing UG 16-4
- spool directory
  - creating a IG 4-39
- SQL\*Net
  - installing and configuring Oracle's IG 5-10
- SRI International mapping MG 33-1
- SSH
  - authentication agent UG 16-31
  - break-in and intrusion detection UG 16-5
  - changing configuration MG 25-17, MG 26-23
  - command options UG 16-7
  - connection and login MG 25-17, MG 26-23
  - daemon files MG 25-30, MG 26-28
    - SSHD\_MASTER.LOG MG 25-30, MG 26-28
    - SSHD.LOG MG 25-30, MG 26-28
  - enabling MG 25-17, MG 26-23
  - host-based authentication example UG 16-15
  - logicals MG 25-27
    - ALLOW\_EXPIRED\_PW UG 19-27, MG 35-24
    - ALLOW\_PREEXPIRED\_PW UG 19-27, MG 35-24
    - KEYGEN\_MIN\_PW\_LEN UG 19-27, MG 35-25
    - PARAMETERS UG 19-27, MG 35-25
    - SSH\_CONTROL.COM MG 35-1
    - SSH\_DIR UG 19-1, MG 25-27, MG 35-1
    - SSH\_EXE UG 19-2, MG 25-27, MG 35-2
    - SSH\_LOG UG 19-2, MG 25-27, MG 35-2
    - SSH\_MAX\_SESSIONS UG 19-2, MG 25-28, MG 35-2
    - SSH\_TERM\_MBX UG 19-2, MG 25-28, MG 35-2
    - TCPWARE\_SSH\_ALLOW\_EXPIRED\_PW M G 25-28
    - TCPWARE\_SSH\_ALLOW\_PREEXPIRED\_P W MG 25-28
    - TCPWARE\_SSH\_KEYGEN\_MIN\_PW\_LEN

# TCPware Master Index

- MG 25-28
- TCPWARE\_SSH\_PARAMETERS MG 25-29
- TCPWARE\_SSH\_USE\_SYSGEN\_LGI MG 25-29
- USE\_SYSGEN\_LGI UG 19-27, MG 35-25
- public-key authentication example UG 16-16
- server system authentication UG 16-3
- session termination UG 16-6
- starting the server MG 25-16, MG 26-22
- X11 forwarding UG 16-6
- SSH command
  - ALLOW\_REMOTE\_CONNECT UG 16-7
  - CIPHER UG 16-7
  - COMPRESSION UG 16-7
  - DEBUG UG 16-7
  - ESCAPE\_CHARACTER UG 16-7
  - LOCAL\_FORWARD UG 16-7
  - LOG\_FILE UG 16-7
  - NO\_AGENT\_FORWARDING UG 16-8
  - OPTION UG 16-7
  - PORT UG 16-7
  - REMOTE\_FORWARD UG 16-7
  - VERSION UG 16-8
- SSH files
  - CONFIG. UG 16-23
  - HOSTS.EQUIV UG 16-26
  - IDENTITY UG 16-24
  - IDENTITY. UG 16-23
  - IDENTITY.PUB UG 16-24
  - KNOWN\_HOSTS UG 16-25
  - RANDOM\_SEED. UG 16-25
  - RHOSTS UG 16-26
  - SHOSTS UG 16-26
  - SSH\_KNOWNHOSTS\_DIR UG 16-27
  - SSH2\_DIR
    - SSH2\_CONFIG UG 16-26
- SSH\_DIR
  - RHOSTS UG 16-26
  - SHOSTS UG 16-26
- SSH\_KNOWN\_HOSTS
  - file
    - AUTHORIZED\_KEYS MG 25-26
  - MULTINET
    - HOSTS.EQUIV MG 26-24
    - SHOSTS.EQUIV MG 26-24
    - SSH\_HOST\_KEY MG 26-24
    - SSH\_HOST\_KEY.PUB MG 26-25
  - SHOSTS MG 25-26, MG 26-25
- SSH2
  - SSH\_RANDOM\_SEED MG 26-25
- SSH2\_DIR
  - SSHD2\_CONFIG MG 26-25
- SYSS\$LOGIN
  - RHOSTS MG 25-27, MG 26-25
- TCPWARE
  - HOSTS.EQUIV MG 25-24
  - SHOSTS.EQUIV MG 25-24
  - SSH\_HOST\_KEY MG 25-25
  - SSH\_HOST\_KEY.PUB MG 25-25
  - SSH\_KNOWN\_HOSTS MG 25-25
  - SSH\_RANDOM\_SEED MG 25-26
  - SSHD\_CONFIG MG 25-26
- SSH\_SCP\_SERVER\_DEBUG UG 19-2
- SSH2
  - break-in MG 26-4
  - client configuration UG 16-6
  - client keyword
    - AllowedAuthentication UG 16-8
    - AuthenticationNotify UG 16-8
    - AuthorizationFile UG 16-9
    - BatchMode UG 16-9
    - Ciphers UG 16-9
    - ClearAllForwardings UG 16-9
    - Compression UG 16-9
    - DebugLogFile UG 16-9
    - DefaultDomain UG 16-9
    - EscapeChar UG 16-9
    - ForwardAgent UG 16-9
    - ForwardX11 UG 16-9
    - GatewayPorts UG 16-9
    - Host UG 16-9
    - HostCA UG 16-10
    - HostCANoCRLs UG 16-10
    - IdentityFile UG 16-10
    - KeepAlive UG 16-10
    - LdapServers UG 16-11
    - LocalForward UG 16-11
    - Macs UG 16-11
    - NoDelay UG 16-11
    - NumberOfPasswordPrompts UG 16-11
    - PasswordPrompt UG 16-11
    - Port UG 16-11
    - QuietMode UG 16-11
    - RandomSeedFile UG 16-12
    - RekeyIntervalSeconds UG 16-12
    - RemoteForward UG 16-12
    - SendNOOPackets UG 16-12
    - StrictHostKeyChecking UG 16-12
    - User UG 16-12
    - VerboseMode UG 16-12
  - intrusion detection MG 26-4
  - keyword
    - AllowedAuthentications MG 26-4
    - RequiredAuthentications MG 26-4
    - StrictIntrusionLogging MG 26-4
- SSh2
  - client keyword
    - Compression UG 16-9
    - DebugLogFile UG 16-9
- SSHADD UG 16-32
- SSHADD option
  - LIST UG 16-32

- PURGE UG 16-32
- SSHAGENT UG 16-31
  - authentication agent UG 16-32
  - authentication private keys UG 16-31
- SSHD MG 25-2, MG 25-17, MG 26-2, MG 26-24
- SSHD configuration file keyword
  - AllowForwardingPort MG 25-4
  - AllowForwardingTo MG 25-5
  - AllowGroups MG 25-6
  - AllowHosts MG 25-6
  - AllowSHosts MG 25-7
  - AllowTcpForwarding MG 25-7
  - AllowUsers MG 25-8
  - DenyForwardingPort MG 25-8
  - DenyForwardingTo MG 25-9
  - DenyGroups MG 25-9
  - DenyHost MG 25-9
  - DenySHosts MG 25-10
  - DenyUsers MG 25-10
  - HostKey MG 25-10
  - IdleTimeout MG 25-10
  - IgnoreRhosts MG 25-11
  - KeepAlive MG 25-11
  - KeyRegenerationInterval MG 25-12
  - ListenAddressee MG 25-12
  - LoginGraceTime MG 25-12
  - PasswordAuthentication MG 25-12
  - PermitEmptyPasswords MG 25-12
  - PermitRootLogin MG 25-13
  - QuietMode MG 25-13
  - RandomSeed MG 25-13
  - RhostsAuthentication MG 25-14
  - RhostsRSAAuthentication MG 25-14
  - RSAAAuthentication MG 25-14
  - SilentDeny MG 25-14
  - StrictModes MG 25-15
  - SyslogFacility MG 25-15
  - X11DisplayOffset MG 25-15
- SSHD\_MASTER MG 25-2, MG 25-17, MG 26-2, MG 26-24
- SSHKEYGEN UG 16-27, UG 16-33
  - file
    - IDENTITY UG 16-33
    - IDENTITY.PUB UG 16-33
    - RANDOM\_SEED UG 16-33
- SSH-OpenVMS UG 1-3
- Start of Authority (SOA) record, DNS MG 3-35
- STARTNET.COM file MG 3-3, NET 1-7
- startup
  - configuration menu IG 5-4
  - customizing your IG 5-7
  - startup command IG 5-7
  - startup command file UG 3-16
  - startup file name IG 5-4
  - startup process
    - automatic IG 5-3
    - STARTUP\_RESOLVER.COM file MG 3-2
  - START/ command
    - DNIP NET 2-186
    - IP NET 2-188
    - NET NET 2-187
    - PWIP NET 2-196
    - TCP NET 2-197
    - UCX NET 2-200
    - UDP NET 2-201
  - START/IP command
    - NETCU, IP-over-X.25 configuration MG 8-2
  - START/QUEUE command MG 15-15
  - START/TCP command
    - NETCU, IP-over-X.25 configuration MG 8-3
  - STASH MASTER\_PASSWORD command NET 2-202
  - STAT command MG 12-19
  - static
    - route definitions MG 9-63
    - routing, setting up MG 9-2
  - static leases MG 4-57
  - stolen key MG 25-21
  - STOP/ command
    - DHCP NET 2-203
    - DNIP NET 2-204
    - DNS NET 2-205
    - GATED NET 2-206
    - INET NET 2-207
    - IP NET 2-208
    - NAMED NET 2-209
    - NETCP NET 2-210
    - PWIP NET 2-211
    - SERVER NET 2-212
    - TCP NET 2-214
    - UCX NET 2-215
    - UDP NET 2-216
  - STORE command qualifier MG 12-34
  - STOU command MG 12-32
  - stream service
    - client, writing PG 1-18
    - server, writing PG 1-19
  - StrictHostKeyChecking UG 16-12
  - STRUCTURE
    - command keyword value
      - FILE UG 3-83
      - RECORD UG 3-83
      - VMS UG 3-83
    - subclass declaration MG 4-37
  - Subnetwork Access Protocol (SNAP)
    - format in TCPDUMP MG 32-28, MG 32-42
  - Subroutine Categories PG 21-7
  - superuser MG 14-3
    - adding to PROXY database MG 14-3
    - default UID/GID MG 14-20
    - Server-NFS MG 14-2, MG 14-3
  - svc\_destroy, RPC RTL PG 18-5
  - svc\_freeargs, RPC RTL PG 18-6



# TCPware Master Index

---

- svc\_getargs, RPC RTL PG 18-7
- svc\_getcaller, RPC RTL PG 18-8
- svc\_getchan, RPC RTL PG 18-9
- svc\_getport, RPC RTL PG 18-10
- svc\_getreqset, RPC RTL PG 18-11
- svc\_register, RPC RTL PG 18-13
- svc\_run, RPC RTL PG 18-14
- svc\_sendreply\_dq, RPC RTL PG 18-15
- svc\_sendreply, RPC RTL PG 18-15
- svc\_unregister, RPC RTL PG 18-16
- svcerr\_auth, RPC RTL PG 18-17
- svcerr\_decode, RPC RTL PG 18-17
- svcerr\_noproc, RPC RTL PG 18-17
- svcerr\_noprogram, RPC RTL PG 18-17
- svcerr\_progvers, RPC RTL PG 18-17
- svcerr\_systemerr, RPC RTL PG 18-17
- svcerr\_weakauth, RPC RTL PG 18-17
- svcf\_create, RPC RTL PG 18-19
- svcrow\_create, RPC RTL PG 18-20
- svctcp\_create, RPC RTL PG 18-21
- svctcpa\_create, RPC RTL PG 18-22
- svctcpa\_enablecache, RPC RTL PG 18-23
- svctcpa\_freecache, RPC RTL PG 18-25
- svctcpa\_getxdrs, RPC RTL PG 18-26
- svctcpa\_shutdown, RPC RTL PG 18-27
- svcdp\_bufcreate, RPC RTL PG 18-28
- svcdp\_create, RPC RTL PG 18-28
- svcdp\_enablecache, RPC RTL PG 18-29
- svcdpa\_bufcreate, RPC RTL PG 18-30
- svcdpa\_create, RPC RTL PG 18-30
- svcdpa\_enablecache, RPC RTL PG 18-32
- svcdpa\_freecache, RPC RTL PG 18-34
- svcdpa\_getxdrs, RPC RTL PG 18-35
- svcdpa\_shutdown, RPC RTL PG 18-36
- SYLOGIN.COM file MG 19-11
- symbiont print queues UG 5-21, MG 15-36
- symbolic links in UNIX systems UG 3-14
- symbolic time zones IG 3-21
- synchronized
  - timekeeping MG 10-5
- SYSS\$ASSIGN function code, INETDRIVER PG 6-49
- SYSS\$ASSIGN function code, TCPDRIVER PG 3-35
- SYSS\$ASSIGN function code, UDPDRIVER PG 4-29
- SYSS\$CANCEL function code, INETDRIVER PG 6-51
- SYSS\$CANCEL function code, TCPDRIVER PG 3-37
- SYSS\$CANCEL function code, UDPDRIVER PG 4-31
- SYSS\$DASSGN function code, INETDRIVER PG 6-52
- SYSS\$DASSGN function code, TCPDRIVER PG 3-38
- SYSS\$DASSGN function code, UDPDRIVER PG 4-32
- SYSINFO client PG 20-3
- SYSNAM privilege MG 13-17
- SYS\$PRV privilege MG 13-9
- system-generated PIN, receiving a UG 14-6

## T

- TALK
  - using UG 11-1
- TALK command
  - TALK UG 11-4
- TALK utility
  - configuring the IG 4-58
- TCLB
  - logical
    - BIAS MG 35-25
- TCP PG 1-2
  - counters
    - TCPDRIVER PG 3-19
    - UDPDRIVER PG 4-16
- TCP packets, monitoring using TCPDUMP MG 32-25
- TCP\_SOCKET\_CLIENT.C file PG 8-3
- TCP\_SOCKET\_SERVER.C file PG 8-3
- TCPDRIVER Services
  - function codes
    - IO\$\_READVBLK
      - IO\$\_DATACHECK modifier PG 3-11
      - IO\$\_NOW modifier PG 3-11
      - IO\$\_PACKED modifier PG 3-11
    - IO\$\_SENSEMODE | IO\$\_CTRL PG 3-15
    - IO\$\_SENSEMODE | IO\$\_RD\_COUNT
      - IO\$\_CLR\_COUNT modifier PG 3-19
  - programming PG 3-1
  - reading
    - active connection status PG 3-13
    - TCP counters PG 3-19
  - receiving data PG 3-11
  - requesting AST delivery PG 3-21
  - scattergather write array structure PG 3-34
  - set characteristics buffer PG 3-23
  - setting connection characteristics PG 3-23
  - zeroing TCP counters PG 3-19
- TCPDRIVER services
  - assigning channel to device PG 3-1, PG 3-35
  - asynchronous system trap (AST) PG 3-5
    - attention PG 3-21
- call
  - arguments PG 3-3
  - format PG 3-3
- cancelling I/O PG 3-37
- closing local end of connection PG 3-2, PG 3-27
- connection status PG 3-13
- deassigning channel PG 3-2
- function codes PG 3-6
  - IO\$\_CREATE PG 3-7
  - IO\$\_READVBLK PG 3-11
  - IO\$\_SENSEMODE PG 3-13
  - IO\$\_SENSEMODE | IO\$\_CTRL PG 3-16
  - IO\$\_SENSEMODE | IO\$\_RD\_COUNT PG 3-19

- IO\$\_SETMODE | IO\$\_ATTNAST PG 3-21
- IO\$\_SETMODE | IO\$\_CTRL PG 3-23
- IO\$\_SETMODE | IO\$\_CTRL | IO\$\_SHUTDOWN PG 3-27
- IO\$\_ABORT modifier PG 3-27
- IO\$\_SETMODE | IO\$\_CTRL | IO\$\_STARTUP PG 3-28
- IO\$\_WRITEVBLK PG 3-30
- IO\$\_OUTBAND modifier PG 3-30
- IO\$\_WRITEVBLK | IO\$\_EXTEND PG 3-32
- SYSS\$ASSIGN PG 3-35
- SYSS\$CANCEL PG 3-37
- SYSS\$DASSGN PG 3-38
- I/O status block PG 3-15
- miscellaneous operations PG 3-2
- opening a connection PG 3-1
  - active PG 3-28
  - passive PG 3-28
- performing read requests PG 3-2
- programming PG 1-9
- releasing channel PG 3-38
- sample program PG 3-39
- sending data PG 3-30
  - stored in list PG 3-32
  - urgent PG 3-30
- socket style listens and accepts PG 3-7
- TCPDRIVER\_CLIENT.C file PG 3-39
- TCPDRIVER\_SERVER.C file PG 3-39
- TCPDUMP
  - command NET 2-217
  - command reference MG 32-33
  - utility MG 32-25
    - ARP and RARP packets, monitoring MG 32-28
    - command reference MG 32-34
    - data within packet, accessing MG 32-43
    - DNS name server
      - requests, monitoring MG 32-29
      - responses, monitoring MG 32-30
    - expressions MG 32-38
      - other MG 32-40
      - primitives MG 32-40
      - qualifiers MG 32-38
    - IP fragmentation, monitoring MG 32-32
    - link level headers, displaying MG 32-28
    - NFS requests and replies, monitoring MG 32-31
    - output
      - RLOGIN sample MG 32-27
      - sample MG 32-25
    - output, interpreting MG 32-25
    - primitives, combining MG 32-43
    - TCP packets, monitoring MG 32-25
    - UDP packets, monitoring MG 32-28
- TCPSAMPLE.FOR file PG 3-40
- TCPWARE UG 19-5, UG 19-8
- FTPSERVER\_DTP.COM MG 12-5
- SSH\_KNOWN\_HOSTS MG 25-22
- SSHD\_CONFIG MG 25-3
- TCPware
  - Access Control Encryption (ACE) Client MG 22-1
  - account privileges IG 5-2
  - components to install IG 1-3
  - DECwindows Transport Interface MG 31-1
  - family members UG 1-3
    - FTP-OpenVMS UG 1-3
    - NFS-OpenVMS client UG 1-3
    - NFS-OpenVMS server UG 1-3
    - SMTP-OpenVMS UG 1-3
    - TCP-OpenVMS UG 1-4
    - TELNET-OpenVMS UG 1-3
  - for OpenVMS UG 1-3
    - documentation UG 18-1
  - general requirements IG 1-2
  - global pages IG 1-2
  - hardware requirements IG 1-2
  - installation preparation IG 1-1
  - installing components IG 2-4
  - installing on mixed platform clusters IG 2-6
  - installing on multiple system disks IG 2-6
  - installing other products IG 2-7
  - load the software IG 2-1
  - online documentation IG 1-4
  - post-installation tasks IG 2-8
  - preconfiguration steps IG 3-1
  - print services MG 15-1
  - release notes IG 1-4
  - required disk space IG 1-2
  - running IG 1-1
  - sample configuration IG 7-1
  - sample installation IG 6-1
  - Secure Shell (SSH) client UG 16-1
  - software requirements IG 1-2
  - starting VMSINSTAL IG 2-2
  - system parameters IG 5-2
  - testing IG 5-14
  - where to install IG 1-3
- TCPware commands
  - configuring the IG 5-3
- TCPware components
  - removing IG 5-12
- TCPware for OpenVMS
  - socket library PG 21-1
- TCPware logical
  - TCPWARE IG 3-2
  - TCPWARE\_COMMON IG 3-2
  - TCPWARE\_INCLUDE IG 3-2
  - TCPWARE\_ROOT IG 3-2
  - TCPWARE\_SPECIFIC IG 3-2
- TCPware startup
  - preparing for IG 5-1
- tcpware\_atolineid subroutine, Socket Library PG 21-72

# TCPware Master Index

- TCPWARE\_CONTROL rights identifier MG 5-24
- TCPWARE\_DOMAINLIST logical MG 3-2
- TCPWARE\_DOMAINNAME logical MG 3-2
- TCPWARE\_FTP\_220\_REPLY logical MG 12-16
- TCPWARE\_FTP\_221\_REPLY logical MG 12-17
- TCPWARE\_FTP\_230\_REPLY logical MG 12-17
- TCPWARE\_FTP\_421\_REPLY logical MG 12-17, MG 19-12
- TCPWARE\_FTP\_ALLOWCAPTIVE logical MG 12-18
- TCPWARE\_FTP\_ANONYMOUS\_230\_REPLY logical MG 12-18
- TCPWARE\_FTP\_ANONYMOUS\_RIGHTS logical MG 12-19, MG 19-12
- TCPWARE\_FTP\_ANONYMOUS\_ROOT logical MG 12-6, MG 12-19, MG 19-12
- TCPWARE\_FTP\_IDLE\_TIMEOUT logical MG 12-21
- TCPWARE\_FTP\_LOGFILE logical MG 12-21, MG 19-12
- TCPWARE\_FTP\_MAX\_PRE\_ALLOCATION UG 3-23
- TCPWARE\_FTP\_MAXREC logical MG 12-22
- TCPWARE\_FTP\_ROOT logical MG 12-6, MG 12-18, MG 12-19, MG 12-20, MG 12-24
- TCPWARE\_FTP\_USE\_SRI\_ENCODING\_ON\_ODS5 UG 19-12
- TCPWARE\_FTP\_username\_ROOT logical UG 19-10, MG 12-7, MG 12-24
- TCPWARE\_FTP\_WINDOW logical MG 12-12, MG 12-22, MG 12-28
- tcpware\_gettimezone subroutine, Socket Library PG 21-73
- TCPWARE\_KERBV4\_MAXAGE logical MG 23-5
- TCPWARE\_KERBV4\_PRIMARY logical MG 23-5
- TCPWARE\_KERBV4\_REALM logical MG 23-5
- TCPWARE\_KERBV4\_SRVTYPE logical MG 23-4
- tcpware\_lineidtoa subroutine, Socket Library PG 21-74
- TCPWARE\_LPD\_DEFAULT\_USER logical MG 15-9
- TCPWARE\_LPRSMB\_qname\_RETRY\_INTERVAL MG 15-7
- TCPWARE\_LPRSMB\_qname\_TIMEOUT MG 15-7
- TCPWARE\_LPRSMB\_\*\_RETRY\_INTERVAL MG 15-7
- TCPWARE\_LPRSMB\_\*\_TIMEOUT MG 15-7
- TCPWARE\_NAMESERVERS logical MG 3-2
- TCPWARE\_NETCU-E-TKTNODES NET 2-92
- TCPWARE\_NETCU-I-TKTDESTR NET 2-92
- TCPWARE\_NETCU-W-NTKTTODES NET 2-92
- TCPWARE\_NFS\_ACCESS\_IDENTIFIER logical MG 14-16
- TCPWARE\_NFS\_DFLT\_GID logical MG 14-20
- TCPWARE\_NFS\_DFLT\_UID logical MG 14-20
- TCPWARE\_NFS\_DIRLIFE\_TIMER logical MG 14-20
- TCPWARE\_NFS\_DIRREAD\_LIMIT logical MG 14-20
- TCPWARE\_NFS\_DIRTIME\_TIMER logical MG 14-20
- TCPWARE\_NFS\_FILE\_CACHE\_SIZE logical MG 14-21
- TCPWARE\_NFS\_LOG\_CLASS logical MG 14-17
- TCPWARE\_NFS\_NOCHECKSUM logical MG 14-21
- TCPWARE\_NFS\_OPENFILE\_TIMER logical MG 14-21
- TCPWARE\_NFS\_PCNFSD\_DFLTPRTOPT logical MG 14-21
- TCPWARE\_NFS\_PCNFSD\_ENABLE logical MG 14-19
- TCPWARE\_NFS\_PCNFSD\_JOB\_LIMIT logical MG 14-22
- TCPWARE\_NFS\_PCNFSD\_PRINTER logical MG 14-22
- TCPWARE\_NFS\_PCNFSD\_PRINTER\_LIMIT logical MG 14-22
- TCPWARE\_NFS\_PCNFSD\_SPOOL logical MG 14-19
- TCPWARE\_NFS\_PORT logical MG 14-22
- TCPWARE\_NFS\_SECURITY logical MG 14-17
- TCPWARE\_NFS\_TCP\_THREADS logical MG 14-22
- TCPWARE\_NFS\_UDP\_THREADS logical MG 14-22
- TCPWARE\_NFS\_XID\_CACHE\_SIZE logical MG 14-23
- TCPWARE\_PPPD\_DEBUG\_LEVEL logical MG 5-19
- TCPWARE\_PPPD\_OPCOM\_LEVEL logical MG 5-19
- TCPWARE\_RCMD\_OUTPUT logical MG 16-4
- TCPWARE\_RES\_OPTIONS logical MG 3-2
- TCPWARE\_RPCLIB\_SHR.EXE file PG 19-13
- TCPWARE\_RPCLIBD\_SHR.EXE file PG 19-14
- TCPWARE\_RPCLIBG\_SHR.EXE file PG 19-13
- TCPWARE\_RPCLIBT\_SHR.EXE file PG 19-14
- TCPWARE\_SCP\_VMS\_MODE\_BY\_DEFAULT UG 19-21
- tcpware\_server subroutine, Socket Library PG 21-75
- tcpware\_settimezone subroutine, Socket Library PG 21-76
- TCPWARE\_SFTP\_FALLBACK\_TO\_CBT UG 19-21
- TCPWARE\_SFTP\_RETURN\_ALQ UG 17-8, UG 19-22
- TCPWARE\_SFTP\_TRANSLATE\_VMS\_FILE\_TYPES UG 19-22
- TCPWARE\_SLIP\_n logical MG 5-20
- TCPWARE\_SOCKLIB\_SHR.EXE file PG 21-6
- TCPWARE\_SOCKLIBG\_SHR.EXE file PG 21-6
- TCPWARE\_SSH\_ACCESS\_CHECK\_OLD\_STYLE MG 26-27
- TCPWARE\_SSH\_ACCESS\_USE\_LOCAL MG 26-27
- TCPWARE\_SSH\_LOG\_FILE MG 26-27
- TCPWARE\_SSH\_SCP\_SERVER\_DEBUG UG 19-2
- TCPWARE\_SSH\_SFTP\_SERVER\_DEBUG UG 19-2
- TCPWARE\_TCLB\_BIAS logical MG 3-45
- TCPWARE\_TELNETD\_INTRO\_MSG logical MG 19-14
- TCPWARE\_TIMED\_EXCLUDE logical MG 11-4
- TCPWARE\_TIMED\_MODE logical MG 11-4
- files
  - PG 14-2
- TCP/IP
  - header compression MG 5-11
  - load balancing MG 3-41
    - address list MG 3-42
    - analogous to LAT MG 3-41
    - cluster name MG 3-42
    - cluster names, defining MG 3-42

- configuration requirements MG 3-41
- description MG 3-41
- DNS server MG 3-42
  - cluster names MG 3-42
  - load metrics MG 3-42
- load request protocol
  - function MG 3-44
  - load calculation MG 3-45
  - load updates MG 3-44
  - logicals MG 3-45
  - UDP datagram requests MG 3-44
- logicals MG 3-45
- observed load MG 3-42
- process MG 3-42
- TCP connection MG 3-41
- use
  - TCP protocols MG 3-41
  - UDP protocols MG 3-41
- use, TELNET MG 3-41
- what it does not do MG 3-41
- network programming PG 1-1
- programming concepts PG 1-1
- TCP/IP connections MG 25-3, MG 26-3
- TCP/IP services
  - basic configuration choice IG 4-2
  - cluster load balancing UG 1-5
  - component configuration choice IG 4-3
  - configuring the IG 4-1
  - database support UG 1-5
  - DECnet over IP UG 1-5
  - DECwindows UG 1-5
  - full configuration choice IG 4-2
  - interface support UG 1-6
  - multicasting UG 1-6
  - network management UG 1-7
  - network security UG 1-7
  - other clients and servers UG 1-7
  - PATHWORKS support UG 1-7
  - routing UG 1-8
- TEAMLINKS
  - configuring HP's IG 5-12
- TEL\_ABORT\_CONNECTION, TELNET subroutine PG 9-6
- TEL\_ALLOCATE\_CCB, TELNET subroutine PG 9-7
- TEL\_CLOSE\_CONNECTION, TELNET subroutine PG 9-8, PG 9-10
- TEL\_DEALLOCATE\_CCB, TELNET subroutine PG 9-12
- TEL\_GET\_CCB, TELNET subroutine PG 9-13
- TEL\_OPEN\_CONNECTION, TELNET subroutine PG 9-14
- TEL\_RECEIVE\_DATA, TELNET subroutine PG 9-16
- TEL\_SEND\_COMMAND, TELNET subroutine PG 9-18
- TEL\_SEND\_DATA, TELNET subroutine PG 9-19
- TEL\_SEND\_URGENT, TELNET subroutine PG 9-20
- TEL\_SET\_CCB, TELNET subroutine PG 9-21

- TELNET
  - closing a session UG 12-5
  - command reference
    - CLOSE UG 12-21
    - DEFINE/KEY UG 12-21
    - EXIT UG 12-21
    - FLUSH UG 12-21
    - HELP UG 12-21
    - OPEN UG 12-21
    - RESUME UG 12-21
    - SEND UG 12-21
    - SET DEBUG UG 12-21
    - SET DELETE\_ALLOWED UG 12-21
    - SET LOG UG 12-21
    - SET PRINT UG 12-21
    - SET TERMINAL\_TYPE UG 12-21
    - SET TRANSLATION UG 12-21
    - SHOW OPTIONS UG 12-21
    - SHOW STATUS UG 12-21
    - SHOW TRANSLATION UG 12-21
    - SPAWN UG 12-21
  - command synonym
    - BYE UG 12-21
    - CONNECT UG 12-21
    - DISCONNECT UG 12-21
    - ESCAPE UG 12-21
    - QUIT UG 12-21
    - SET HOST UG 12-21
    - STATUS UG 12-21
    - Z UG 12-21
  - control function
    - AO UG 12-37
    - AYT UG 12-37
    - BACKWARD UG 12-37
    - BRK UG 12-37
    - EC UG 12-37
    - EL UG 12-37
    - ESCAPE UG 12-37
    - FORWARD UG 12-37
    - GA UG 12-37
    - IP UG 12-37
    - NOIP UG 12-37
    - SYNCH UG 12-37
  - issuing local commands UG 12-6
  - logical
    - WINDOW MG 35-25
  - login sequence UG 14-4
  - opening a session UG 12-2
  - preparation UG 12-1
  - running applications over UG 12-7
  - sample session UG 12-19
  - startup command file UG 12-10
- TELNET commands
  - CLOSE UG 12-22
  - DEFINE/KEY UG 12-24
  - EXIT UG 12-27

# TCPware Master Index

- FLUSH UG 12-28
- HELP UG 12-29
- OPEN UG 12-30
- RESUME UG 12-36
- SEND UG 12-37
- SET
  - DEBUG UG 12-46
  - DELETE\_ALLOWED UG 12-47
  - LOG UG 12-58
  - PRINT UG 12-59
  - TERMINAL\_TYPE UG 12-60
  - TRANSLATION UG 12-61
- SHOW
  - OPTIONS UG 12-63
  - STATUS UG 12-64
  - TRANSLATION UG 12-65
- SPAWN UG 12-66
- TELNET library routines PG 9-1
- TELNET sessions UG 16-21
- TELNET Subroutine Library programming PG 9-1
- TELNET subroutine library
  - aborting connection PG 9-6
  - allocating connection control block PG 9-7
  - closing connection PG 9-8
  - connection control block (CCB) fields PG 9-2
  - deallocating connection control block PG 9-12
  - obtaining connection control block information PG 9-13
  - opening NTA device connection PG 9-10
  - opening remote host connection PG 9-14
  - programming PG 1-10
  - receiving remote host data PG 9-16
  - reference PG 9-5
  - sending commands to remote host PG 9-18
  - sending data to remote host PG 9-19
  - setting connection control block field value PG 9-21
  - TEL\_ABORT\_CONNECTION PG 9-6
  - TEL\_ALLOCATE\_CCB PG 9-7
  - TEL\_CLOSE\_CONNECTION PG 9-8
  - TEL\_CREATE\_TERMINAL PG 9-10
  - TEL\_DEALLOCATE\_CCB PG 9-12
  - TEL\_GET\_CCB PG 9-13
  - TEL\_OPEN\_CONNECTION PG 9-14
  - TEL\_RECEIVE\_DATA PG 9-16
  - TEL\_SEND\_COMMAND PG 9-18
  - TEL\_SEND\_DATA PG 9-19
  - TEL\_SEND\_URGENT PG 9-20
  - TEL\_SET\_CCB PG 9-21
  - user command processing PG 9-22
  - using TCP urgent notification PG 9-20
- TELNET\_SAMPLE.C file PG 9-2
- TELNETD
  - logicals
    - DEFCHAR MG 35-25
    - FLAGS MG 35-26
    - INTRO\_MSG MG 35-26
- TELNETOpenVMS
  - TELNET?OpenVMS
    - server management MG 18-1
- TELNET-OpenVMS
  - configuring IG 4-58
  - control functions MG 18-7
  - exiting status MG 18-8
  - listener port MG 15-19
  - local flow control, setting MG 18-6
  - logicals MG 18-1
  - options MG 18-5
    - ECHO MG 18-5
    - END-OF-RECORD MG 18-5
    - REMOTE-FLOW-CONTROL MG 18-6
    - SUPPRESS-GO-AHEAD MG 18-6
    - TERMINAL-SPEED MG 18-6
    - TERMINAL-TYPE MG 18-6
    - TRANSMIT-BINARY MG 18-6
    - WINDOW-SIZE MG 18-7
  - security MG 19-14
  - TELNET\_CONTROL.COM file MG 18-1
  - virtual terminals, setting up MG 18-4
- Terminal Server Print Services MG 15-1
  - autostart queue MG 15-17
  - managing MG 15-13
  - OPCOM messages MG 15-20
  - print queue
    - generic queue MG 15-16
    - initializing MG 15-15
    - setting up MG 15-14
    - starting MG 15-15
  - print symbiont MG 15-13
  - sample configuration MG 15-18
  - spool device, setting up MG 15-17
  - tuning logicals MG 15-20
  - /AUTOSTART\_ON qualifier MG 15-17
- testing tools
  - NSLOOKUP MG 32-3
  - PING MG 32-22
  - QUOTED MG 32-24
  - TCPDUMP MG 32-25
  - TRACEROUTE MG 32-44
- Text (TXT) record, DNS MG 3-38
- TFTP
  - command
    - CONNECT UG 13-1
    - GET UG 13-1
    - HELP UG 13-1
    - MODE UG 13-1
    - PUT UG 13-1
    - QUIT UG 13-1
    - REXMT UG 13-1
    - STATUS UG 13-1
    - TIMEOUT UG 13-1
    - TRACE UG 13-1

- invoking UG 13-1
- UNIX-to-VMS filename conversions UG 13-4, UG 13-7
- TFTP commands
  - CONNECT UG 13-3
  - GET UG 13-4
  - HELP UG 13-5
  - MODE UG 13-6
  - PUT UG 13-7
  - QUIT UG 13-8
  - REXMT UG 13-9
  - STATUS UG 13-10
  - TIMEOUT UG 13-11
  - TRACE UG 13-13
- TFTPD file access IG 4-35
- ticket file location logical UG 4-1
- time clocks, synchronizing UG 2-11
- time daemon MG 11-1
- TIME service MG 32-44
- Time Synchronization Protocol (TSP) MG 11-1
  - logical
    - TCPWARE\_TIMED\_EXCLUDE MG 11-4
    - TCPWARE\_TIMED\_MODE MG 11-4
    - master candidate election MG 11-2
    - parameters, setting MG 11-4
    - timedc, command reference MG 11-10
- Time zone
  - local differential time MG 35-27
  - military MG 35-27
  - parameters
    - offset MG 35-27
  - universal time MG 35-27
- time zone
  - local differential time PG 21-76
  - military PG 21-76
  - parameters
    - offset PG 21-76
  - universal time PG 21-76
- time zone configuration IG 3-13
- time zone rules
  - compiled-in IG 3-14
- time zone support IG 3-14
- TIMED
  - configuring IG 4-59
  - logicals
    - EXCLUDE MG 35-26
    - INCLUDE MG 35-26
    - MODE MG 35-26
- TIMED operation mode MG 11-3
  - dependent MG 11-3
  - fixed primary MG 11-3
  - primary candidate MG 11-3
- TIMEDC command MG 11-11
- TIMED.LOG file MG 11-11
- timezone rules
  - COUNTRY MG 11-4
  - loadable MG 11-4, MG 11-6
- RULE MG 11-6
- ZONE MG 11-5
- TN3270
  - graphics keypad naming conventions UG 12-17
  - internationalization UG 12-14
    - character sets UG 12-16
  - keyboard mapping UG 12-12
    - alternative key mappings UG 12-13
  - keypad graphics characters UG 12-17
  - opening a session UG 12-3
  - screen printing and dumping UG 12-17
- TOGGLE GATED TRACING command NET 2-218
- Token Authentication
  - ACE/Client MG 19-9, MG 22-1
    - ACEMAIN\_CL utility MG 22-6
    - application functionality MG 22-8
    - database transfer and startup MG 22-6
    - disabling MG 22-5
    - error messages MG 22-11
    - functions MG 22-7
    - glossary of terms MG 22-2
    - logicals MG 22-4
    - NETCU commands MG 22-7
    - New PIN mode MG 22-8
    - Next Tokencode mode MG 22-8
    - related documents and standards MG 22-3
    - SDCONF.REC configuration file MG 22-6
    - user messages MG 22-9
  - ACE/Server
    - functions MG 22-3
    - generating reports MG 22-4
    - sdadmin program MG 22-3
    - slave MG 22-8
  - API functions PG 11-1
    - creadcfg PG 11-4
    - header files PG 11-2
    - how to use PG 11-2
    - reference PG 11-3
    - sd\_auth PG 11-6
    - sd\_check PG 11-7
    - sd\_close PG 11-11
    - sd\_init PG 11-5
    - sd\_next PG 11-9
    - sd\_pin PG 11-10
    - shareable image, activating PG 11-3
    - supported languages PG 11-2
      - BASIC PG 11-2
      - BLISS PG 11-2
      - C PG 11-2
      - FORTTRAN PG 11-2
      - MACRO PG 11-2
      - PASCAL PG 11-2
      - PL1 PG 11-2
    - encryption MG 22-8
- Token Authentication Application Programming Interface (API) PG 11-1

# TCPware Master Index

tokencode UG 14-2  
TRACEROUTE utility MG 32-44, MG 32-45  
transfer qualifiers (positional) UG 3-31  
TRANSLATE command  
    X.25 mapping database MG 8-7, MG 8-13, MG 8-15  
Transmission Control Protocol (TCP) device driver  
    (TCPDRIVER) services PG 3-1  
transmission time  
    min/max, IP-over-X.25 MG 8-3  
troubleshooting  
    DECwindows transport interface MG 31-4  
    LPD Server MG 15-13  
    NFS-OpenVMS Client MG 13-28  
    NFS-OpenVMS Server MG 14-32  
    PATHWORKS MG 28-3  
    R Services MG 16-5  
    Serial Line IP (SLIP) MG 5-27  
    Terminal Server Print Services MG 15-20  
    X.25 MG 8-18  
TryEmptyPassword UG 16-12  
TSSYM  
    logicals  
        RETRY\_INTERVAL MG 35-27  
        TIMEOUT MG 35-27  
tunneling UG 16-21  
TYPE  
    command keyword value  
        ASCII UG 3-84  
        BINARY UG 3-84  
        BLOCK UG 3-85  
        DEFAULT UG 3-85  
        FORTRAN UG 3-85  
        IMAGE UG 3-85  
        VARIABLE UG 3-85  
type of service (TOS) routing MG 9-54

---

## U

UCX Compatibility Services  
    programming PG 2-1  
UCX compatibility services PG 2-1  
    logicals PG 2-3  
    multicasting PG 2-2  
    programming PG 1-7  
    restrictions PG 2-3  
    sample programs PG 2-4  
UDP PG 1-3  
    packets, monitoring using TCPDUMP MG 32-28  
    requests MG 3-44  
UDP protocol concepts PG 1-3  
UDP\_SOCKET\_CLIENT.C file PG 8-3  
UDP\_SOCKET\_SERVER.C file PG 8-3  
UDPDRIVER Services  
    programming PG 4-1  
UDPDRIVER services  
    active ports status PG 4-11  
    assigning channel PG 4-2  
    assigning channel to device PG 4-29  
    asynchronous system trap (AST) PG 4-5  
    call arguments PG 4-3  
    call format PG 4-3  
    cancelling I/O PG 4-31  
    closing a previously opened port PG 4-21  
    closing port PG 4-2  
    deassigning channel PG 4-2  
    function codes PG 4-6  
        IO\$\_READVBLK PG 4-7  
            IO\$\_M\_DATACHECK modifier PG 4-7  
            IO\$\_M\_NOW modifier PG 4-7  
        IO\$\_SENSEMODE PG 4-10  
        IO\$\_SENSEMODE | IO\$\_M\_CTRL PG 4-13  
        IO\$\_SENSEMODE | IO\$\_M\_RD\_COUNT PG 4-16  
            IO\$\_M\_CLR\_COUNT modifier PG 4-16  
        IO\$\_SETMODE | IO\$\_M\_CTRL PG 4-17  
        IO\$\_SETMODE | IO\$\_M\_CTRL | IO\$\_M\_SHUTDOWN PG 4-21  
        IO\$\_SETMODE | IO\$\_M\_CTRL | IO\$\_M\_STARTUP PG 4-22  
        IO\$\_WRITEVBLK PG 4-24  
            IO\$\_M\_NOFORMAT modifier PG 4-24  
        IO\$\_WRITEVBLK | IO\$\_M\_EXTEND PG 4-27  
            IO\$\_M\_NOFORMAT modifier PG 4-27  
        SYSS\$ASSIGN PG 4-29  
        SYSS\$CANCEL PG 4-31  
        SYSS\$DASSGN PG 4-32  
    I/O status block PG 4-12  
    miscellaneous operations PG 4-2  
    opening a port PG 4-2  
    opening connection PG 4-22  
    performing read requests PG 4-2  
    programming PG 1-9  
    reading active ports status PG 4-10  
    reading port characteristics PG 4-13  
    reading UDP counters PG 4-16  
    receiving datagram PG 4-7  
    releasing channel PG 4-32  
    sample program PG 4-33  
    sending datagram PG 4-24  
        suppressing checksum generation PG 4-24, PG 4-27  
    sending data, stored in array PG 4-27  
    set characteristics buffer PG 4-17  
    setting the port characteristics PG 4-17  
    UDP implementation PG 4-2  
    zeroing TCP counters PG 4-16  
UDPDRIVER\_CLIENT.C file PG 4-33  
UDPDRIVER\_SERVER.C file PG 4-33  
UDPSAMPLE.FOR file PG 4-33  
Ungermann-Bass's PC software MG 28-3

- UNIX MG 15-21
- UNMOUNT ALL command NET 2-219
- unsecure connections UG 16-21
- untrusted hosts UG 16-3
- UPDATE GATED INTERFACES command NET 2-221
- User UG 16-12
- user and file protection MG 13-2
- User Datagram Protocol (UDP) device driver (UDPDRIVER) services PG 4-1
- User Identification Mapping MG 13-4
- user name patterns MG 25-10
- user-defined time zone rules IG 3-15
- user-written servers
  - starting IG 5-9

---

## V

- VAX P.S.I.
  - carrier name, X.25 MG 8-6
  - configuration information MG 8-17
- VAX P.S.I. for IP-over-X.25 support IG 2-7
- vendor encapsulated options MG 4-54
- VerboseMode UG 16-12
- VIEW command, NSLOOKUP MG 32-20
- virtual
  - links MG 9-62
  - terminals (VTAs) MG 18-4
- VMS UG 3-79, UG 17-12
  - print symbiont UG 5-16
- VMS\_PLUS UG 3-46
- VMSLPR Symbiont UG 5-16
- VMSLPR SMB
  - logicals
    - PRECONN MG 35-28
    - RETRY\_INTERVAL MG 35-28
    - TIMEOUT MG 35-28

---

## W

- WAN line NET 2-189
- WAYTOOBIG IG 4-46
- Well Known Services (WKS) record, DNS MG 3-39
- WHOIS UG 15-1
- Wide Area Network (WAN) device drivers IG 3-10
- WIN/TCP
  - logicals PG 21-11
  - socket library PG 21-10

---

## X

- X display manager
  - configuring IG 4-61

- X Display Manager Server MG 30-1
  - access control MG 30-2, MG 30-3
  - authentication option MG 30-3
  - configuration file MG 30-2
  - enabling debug logging MG 30-2
  - enabling OPCOM logging MG 30-2
  - installation and setup MG 30-1
  - removing the domain name part of the host name MG 30-3
- X11 connections MG 25-3, MG 26-3
- X25.CONF file
  - example MG 8-14
  - map example MG 8-9
  - multiple entries MG 8-7
  - route example MG 8-10
  - rules MG 8-7
  - sample MG 8-7, MG 8-15, MG 8-16
  - translate example MG 8-14
- Xauthority data UG 16-6
- XDISPLOC UG 12-21, UG 12-62
- XDM Server MG 30-1
- XDR encoding and decoding routines PG 19-2
- XDR routines, upper layer PG 19-4
- XDR support routines PG 19-3
- xdr\_accepted\_reply, RPC RTL PG 19-5
- xdr\_array, RPC RTL PG 19-6
- xdr\_authunix\_parms, RPC RTL PG 19-7
- xdr\_bool, RPC RTL PG 19-8
- xdr\_bytes, RPC RTL PG 19-9
- xdr\_callhdr, RPC RTL PG 19-10
- xdr\_callmsg, RPC RTL PG 19-11
- xdr\_char, RPC RTL PG 19-12
- xdr\_double, RPC RTL PG 19-13
- xdr\_enum, RPC RTL PG 19-15
- xdr\_float, RPC RTL PG 19-16
- xdr\_free, RPC RTL PG 19-17
- xdr\_hyper, RPC RTL PG 19-18
- xdr\_int, RPC RTL PG 19-19
- xdr\_long, RPC RTL PG 19-20
- xdr\_netobj, RPC RTL PG 19-21
- xdr\_opaque\_auth, RPC RTL PG 19-23
- xdr\_opaque, RPC RTL PG 19-22
- xdr\_pmaplist, RPC RTL PG 19-25
- xdr\_pmap, RPC RTL PG 19-24
- xdr\_pointer, RPC RTL PG 19-26
- xdr\_reference, RPC RTL PG 19-28
- xdr\_rejected\_reply, RPC RTL PG 19-29
- xdr\_replymsg, RPC RTL PG 19-30
- xdr\_short, RPC RTL PG 19-31
- xdr\_string, RPC RTL PG 19-32
- xdr\_u\_char, RPC RTL PG 19-33
- xdr\_u\_hyper, RPC RTL PG 19-34
- xdr\_u\_int, RPC RTL PG 19-35
- xdr\_u\_long, RPC RTL PG 19-36
- xdr\_u\_short, RPC RTL PG 19-37
- xdr\_union, RPC RTL PG 19-38



# TCPware Master Index

xdr\_vector, RPC RTL PG 19-39  
xdr\_void, RPC RTL PG 19-40  
xdr\_wrapstring, RPC RTL PG 19-41  
xdrmem\_create, RPC RTL PG 19-42  
xdrrec\_create, RPC RTL PG 19-43  
xdrrec\_endofrecord, RPC RTL PG 19-45  
xdrrec\_eof, RPC RTL PG 19-46  
xdrrec\_skiprecord, RPC RTL PG 19-47  
xdrstdio\_create, RPC RTL PG 19-48  
XID cache, enabling PG 12-10  
XNTPDC utility MG 10-22  
xpri\_register, RPC RTL PG 18-37  
xpri\_unregister, RPC RTL PG 18-38  
X.25  
    address MG 8-3, MG 8-4  
    interface MG 8-1  
    mapping database MG 8-1  
        map example MG 8-9  
        route example MG 8-10  
        translate example MG 8-14  
    module characteristics MG 8-17  
    network service MG 8-3  
    protocols MG 8-2  
    record, DNS MG 3-40  
    troubleshooting MG 8-18

/URL UG 16-33  
/USE\_NONPRIV\_PORT UG 16-8  
/USER=user UG 16-8  
/VERBOSE UG 16-8  
/VERSION UG 16-8

---

## Z

ZONE specification  
    format of IG 3-16

---

## Symbols

"Next Code" prompt UG 14-8  
SSH\_KNOWN\_HOSTS  
    file  
        SYS\$LOGIN  
            MG 26-25  
SYS\$LOGIN  
    MG 26-26  
/BUFFER\_SIZE UG 17-3  
/CONCURRENT\_REQUESTS UG 17-3  
/etc/exports file MG 13-3  
/etc/group file MG 13-3  
/etc/passwd file MG 14-2  
/HELP UG 16-7, UG 16-32  
/LOCK UG 16-32  
/NO\_AGENT\_FORWARDING UG 16-7  
/NOSSH1 UG 16-32  
/QUIET UG 16-8  
/REMOVE UG 16-33  
/TIMEOUT=n UG 16-33  
/UNLOCK UG 16-33



## Reader's Comments

### TCPware for OpenVMS Version 5.9 User's Guide, Part Number: N-5904-59-NN-A

Your comments and suggestions will help us to improve the quality of our future documentation. Please note that this form is for comments on documentation only.

I rate this guide's:	Excellent	Good	Fair	Poor
Accuracy	0	0	0	0
Completeness (enough information)	0	0	0	0
Clarity (easy to understand)	0	0	0	0
Organization (structure of subject matter)	0	0	0	0
Figures (useful)	0	0	0	0
Index (ability to find topic)	0	0	0	0
Ease of use	0	0	0	0

1. I would like to see more/less: \_\_\_\_\_
2. Does this guide provide the information you need to perform daily tasks? \_\_\_\_\_
3. What I like best about this guide: \_\_\_\_\_
4. What I like least about this guide: \_\_\_\_\_
5. Do you like this guide's binding? If not, what would you prefer? \_\_\_\_\_

My additional comments or suggestions for improving this guide: \_\_\_\_\_  
\_\_\_\_\_

I found the following errors in this guide:

Page	Description
_____	_____
_____	_____

Please indicate the type of user/reader that you most nearly represent:

System Manager	0	Educator/Trainer	0
Experienced Programmer	0	Sales	0
Novice Programmer	0	Scientist/Engineer	0
Computer Operator	0	Software Support	0
Administrative Support	0	Other (please specify)	0 _____

Name: \_\_\_\_\_ Dept. \_\_\_\_\_  
Company: \_\_\_\_\_ Date \_\_\_\_\_  
Mailing Address: \_\_\_\_\_

After filling out this form, FAX or mail it to:

**Process Software, 959 Concord Street, Framingham, MA 01701-4682**  
**Attention: Technical Publications Group FAX 508-879-0042 e-mail:techpubs@process.com**

